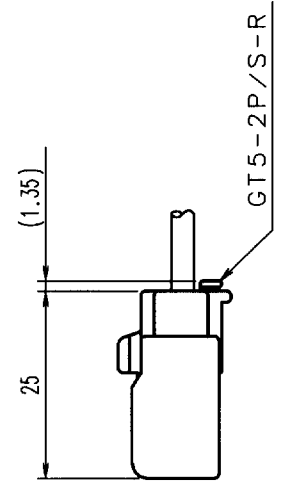
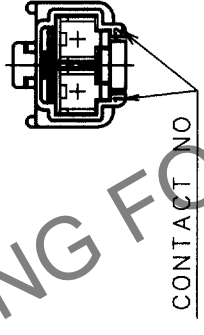
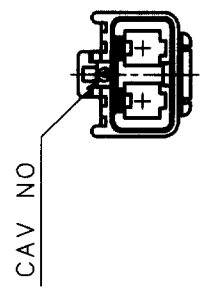
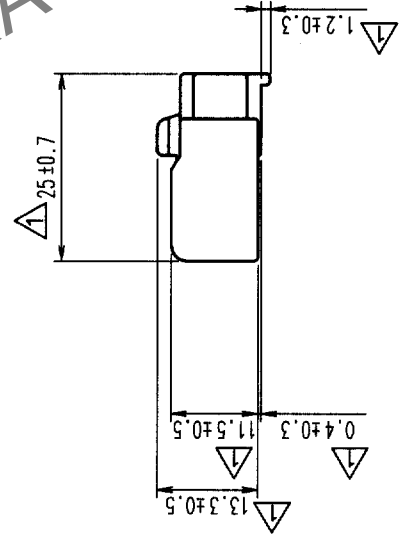
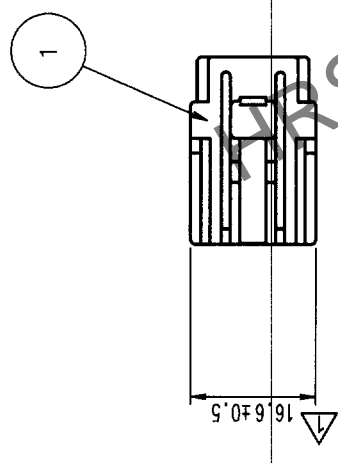


1 2 3 4 5 6 7 8

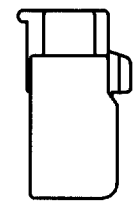
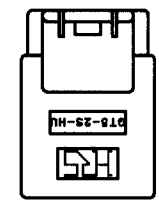
NO.	DESCRIPTION OF REVISIONS	BY	CHKD	DATE	COMNT	DESCRIPTION OF REVISIONS	BY	CHKD	DATE
6	RE-T-00607	T.I	M.O	2011.11.28					

PECULIAR SPECIFICATION CHART

PART NO	CLNo.	SPECIFICATION
GT5-2S-HU	755-0044-1	UL94HB LIGHT GRAY
GT5-2S-HU (20)	755-0044-1-20	UL94HB ORANGE
GT5-2S-HU (21)	755-0044-1-21	UL94HB BLUE



CONNECTOR ASSEMBLED WITH A RETAINER



TO			
----	--	--	--

NOTE1. THIS CONNECTOR SHALL BE USED WITH A RETAINER (CL755-0046-7).

1 PBT		FINISH, REMARKS		MATERIAL		FINISH, REMARKS	
NO.	MATERIAL	NO.	DESIGNED	CHECKED	APPROVED	RELEASED	
1	GT5-2S-HU	1	T. IKEDA '98.11.20	N. NAKATA '98.12.1	K. SATO '98.12.4		
CODE NO. (OLD)		DRAWING NO.		PART NO.			
		EDC3-165327		GT5-2S-HU			
SCALE 1:1		DRAWN T. IKEDA '98.11.20		DESIGNED T. IKEDA '98.11.20		CHECKED N. NAKATA '98.12.1	
UNITS ITT		HRS		HIROSE ELECTRIC CO., LTD		CODE NO. CL755-0044-1	

1 2 3 4 5 6 7 8