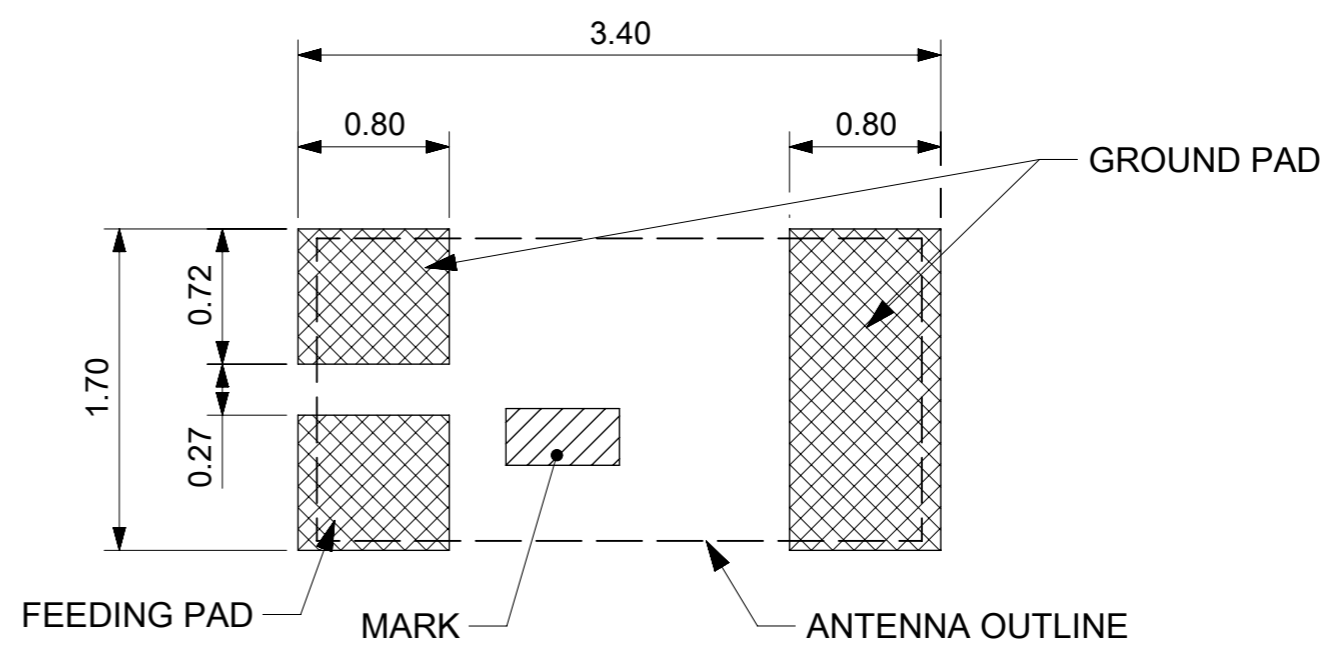
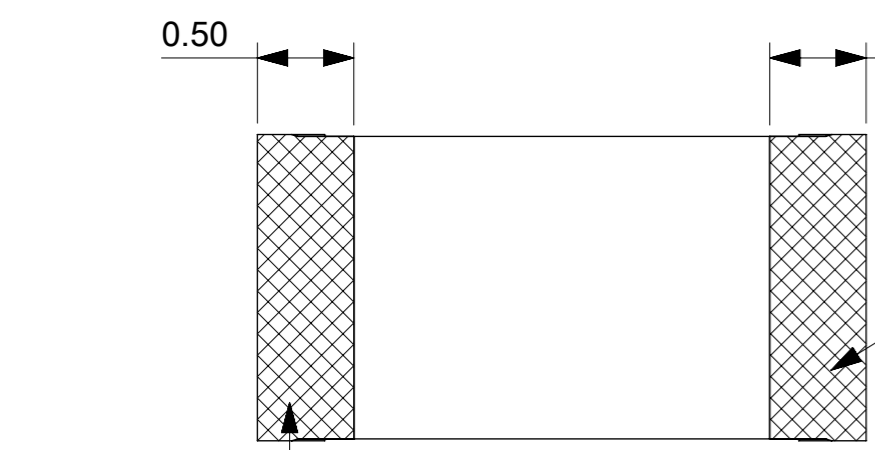
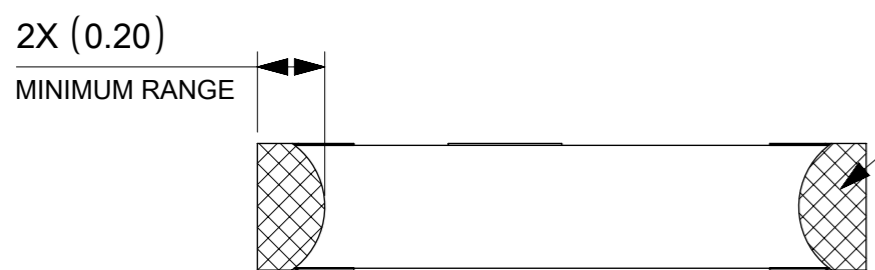
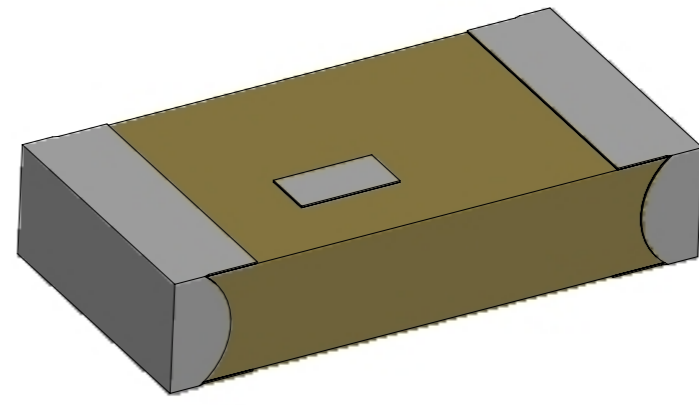
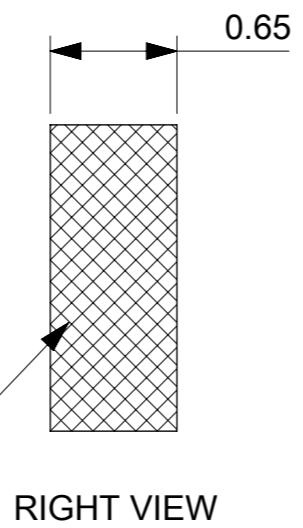
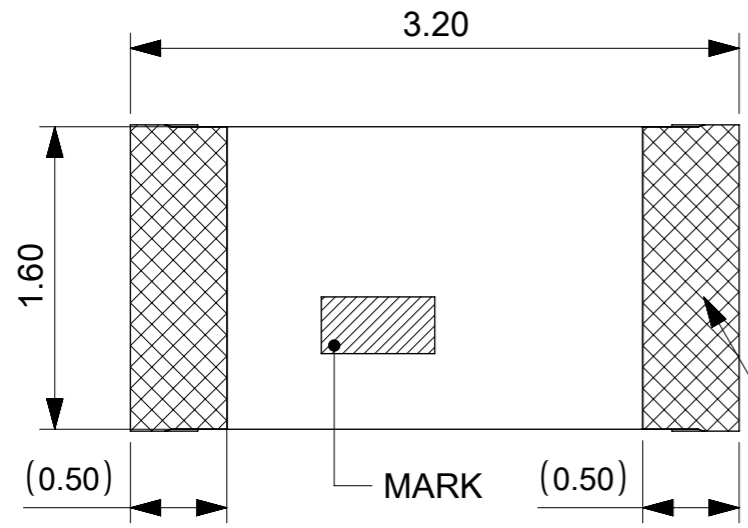


REV	DATE	DESCRIPTION
A	2020/09/17	NEW RELEASE
A1	2020/11/26	ADD SIDE VIEW INFORMATION



- NOTES:
1. MATERIAL: CERAMIC
  2. ALL HATCHED AREA ARE SILVER AND NI/TIN PLATING LAYER;
  3. THE SIDE EXTERNAL PATTERN IS CURVED, WHICH DOES NOT AFFECT THE ANTENNA PERFORMANCE.
  4. PACKAGE SPEC. REFER TO PK OF 2156340001.
  5. PRODUCT SPEC. REFER TO PS OF 2156340001.
  6. APPLICATION SPEC. REFER TO AS OF 2156340001.

FUNCTIONAL SYMBOLS	THIS DRAWING CONTAINS INFORMATION THAT IS PROPRIETARY TO MOLEX ELECTRONIC TECHNOLOGIES, LLC AND SHOULD NOT BE USED WITHOUT WRITTEN PERMISSION		CURRENT REV DESC:		<b>molex</b>		
	GENERAL TOLERANCES (UNLESS SPECIFIED)	SCALE					
$\nabla_A = 0$ $\nabla_E = 0$ $\nabla_F = 0$	mm	20:1	EC NO: 650158		PRODUCT CUSTOMER DRAWING		
DIVISIONAL SYMBOLS	ANGULAR TOL ± °		DRWN: KCHENG06		DOC TYPE	DOC PART	REVISION
	4 PLACES	±	2020/11/26		2156340001	PSD	000
	3 PLACES	± 0.15	2020/12/01				
	2 PLACES	± 0.2	2020/09/17		GENERAL MARKET	A1	1 OF 1
	1 PLACE	± 0.25	2020/09/25				
	0 PLACES	± 0.3	APPR: XJSONG		MATERIAL NUMBER		SHEET NUMBER
DRAFT WHERE APPLICABLE MUST REMAIN WITHIN DIMENSIONS		THIRD ANGLE PROJECTION	DRAWING	SERIES	CUSTOMER		
			A3-SIZE	215634	GENERAL MARKET		