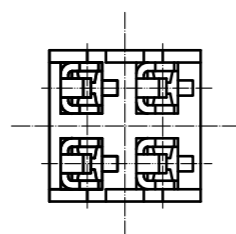
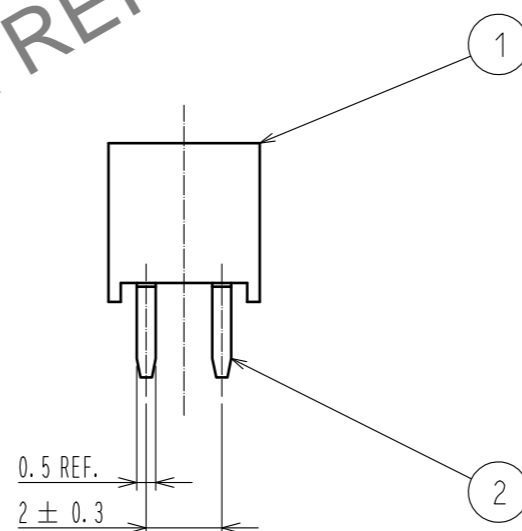
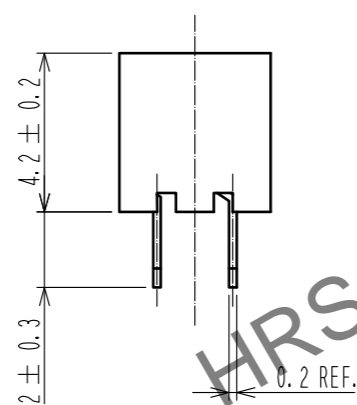
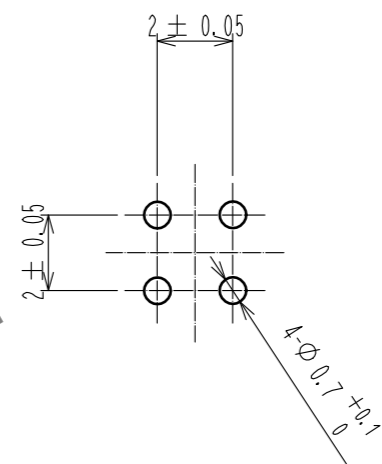
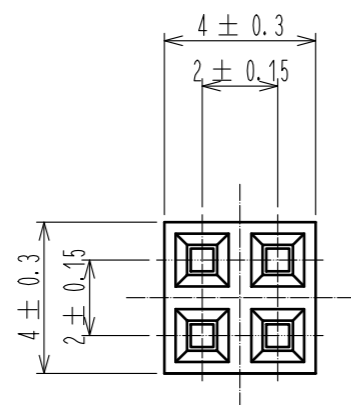


Jul.1.2024 Copyright 2024 HIROSE ELECTRIC CO., LTD. All Rights Reserved.
 In case of consideration for using Automotive equipment / device which demand high reliability, kindly contact our sales window correspondents.

RECOMMENDED PC BOARD HOLE PATTERN



HRS DRAWING FOR REFERENCE

NOTES 1. THE CONTACT CUT SECTION IS UNPLATED.

1	PBT	BLACK, UL94V-0	2	PHOSPHOR BRONZE	CONTACT: GOLD PLATING 0.2μm MIN DIP : TIN PLATING 1μm MIN UNDER : NICKEL PLATING 1μm MIN
NO.	MATERIAL	FINISH, REMARKS	NO.	MATERIAL	FINISH, REMARKS
UNITS mm		SCALE 5:1		DESCRIPTION OF REVISIONS	
HIROSE ELECTRIC CO., LTD.		APPROVED : HS. OKAWA	15.06.04	DRAWING NO. EDC-081239-71-21	
		CHECKED : HT. YAMAGUCHI	15.06.04	PART NO. A3C-4DA-2DSC(71)	
		DESIGNED : MT. ITANO	15.06.04	CODE NO. CL621-0531-7-71	
		DRAWN : MT. ITANO	15.06.04		