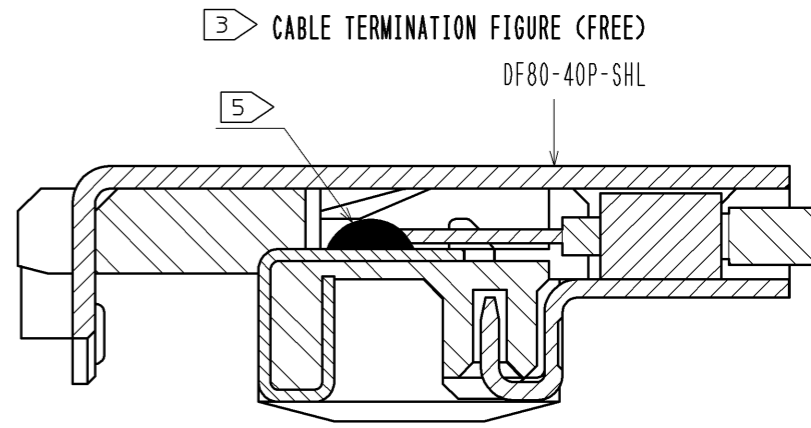
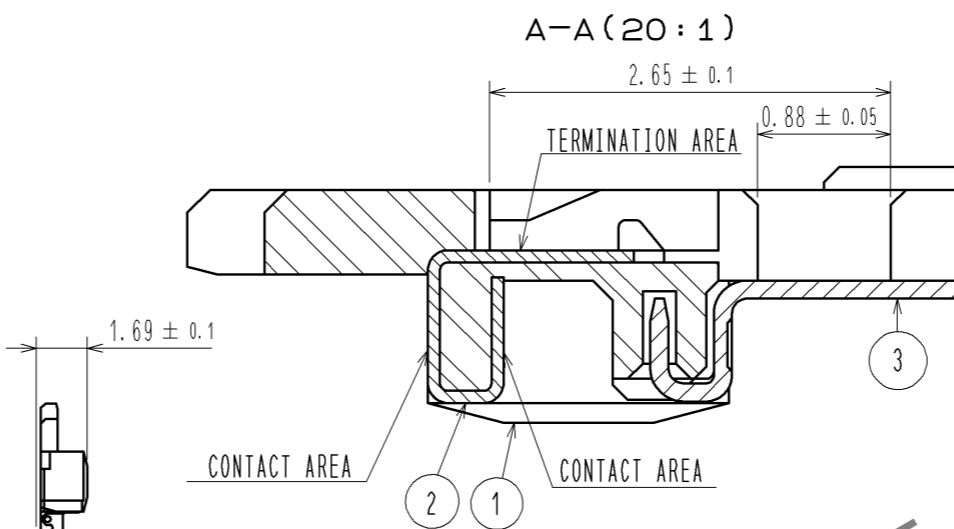
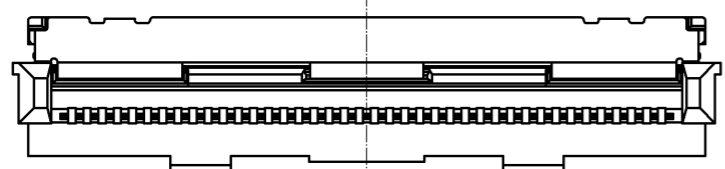
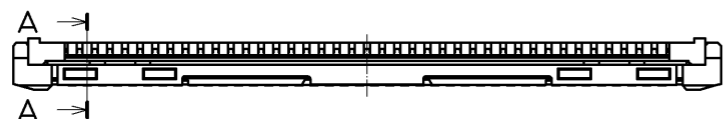
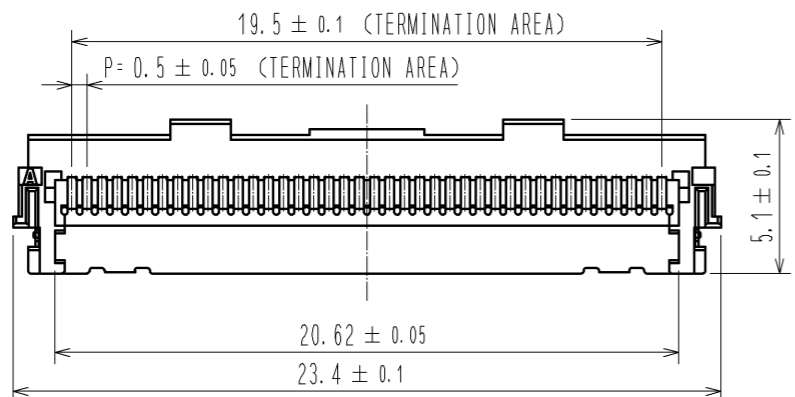
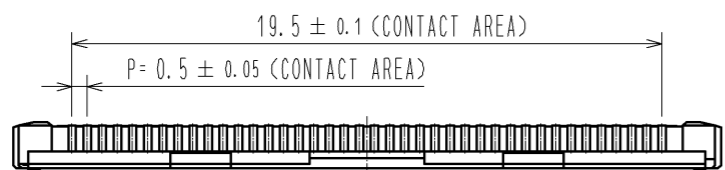


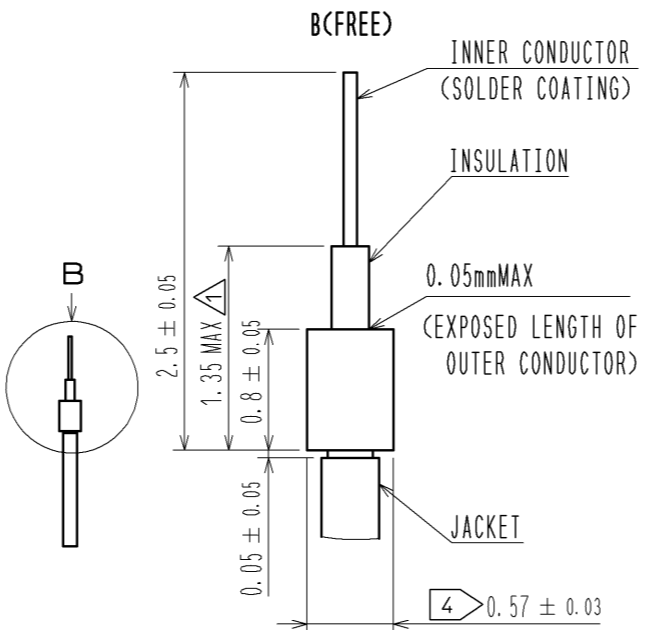
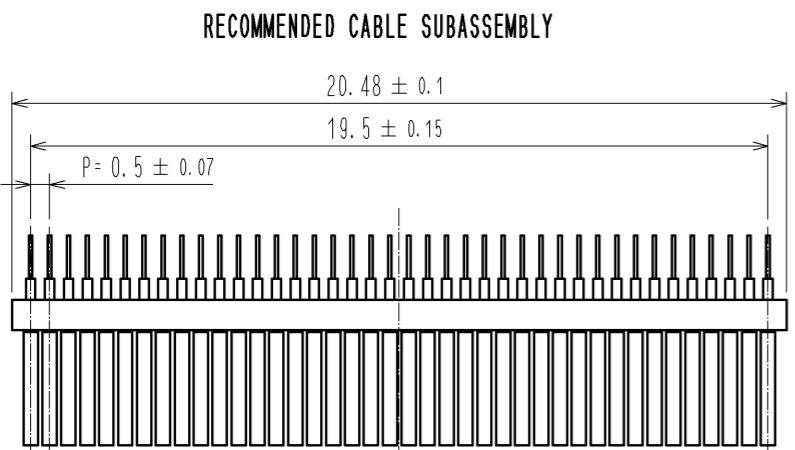
Jul.1.2024 Copyright 2024 HIROSE ELECTRIC CO., LTD. All Rights Reserved.
 In case of consideration for using Automotive equipment / device which demand high reliability, kindly contact our sales window correspondents.



HRS DRAWING FOR REFERENCE

ITEM No.	PART NAME	PART No.	CODE No.
1, 2, 3	CONNECTOR UNIT	DF80D-40P-0.5SD(51)	CL662-8118-0-51
-	METAL SHIELDING	DF80-40P-SHL	CL662-8003-8-00

- NOTES
1. APPLICABLE CABLE: DISCRETE CABLE(AWG#32~AWG#36) . MICRO COAXIAL CABLE (AWG#40~AWG#46)
 2. THIS CONNECTOR IS NOT HOT PLUGGABLE. MATE AND UNMATE WHILE THE POWER IS OFF.
 - 3 THE ASSEMBLY IS COMPLETED BY COMBINING TWO PARTS 'CONNECTOR UNIT, AND METAL SHIELDING'. REFER TO THE TABLE FOR EACH ITEM No. PART NAME, PART No AND CODE No.
 - 4 SOLDER A GRAND BAR WITH AN EXTERNAL CONDUCTOR OF THE CABLE ABOUT STICKING A GRAND BAR TOGETHER.
 - 5 PLEASE CONSULT ABOUT THE USE OF THE POTTING AND KAPTON TAPE SEPARATELY.

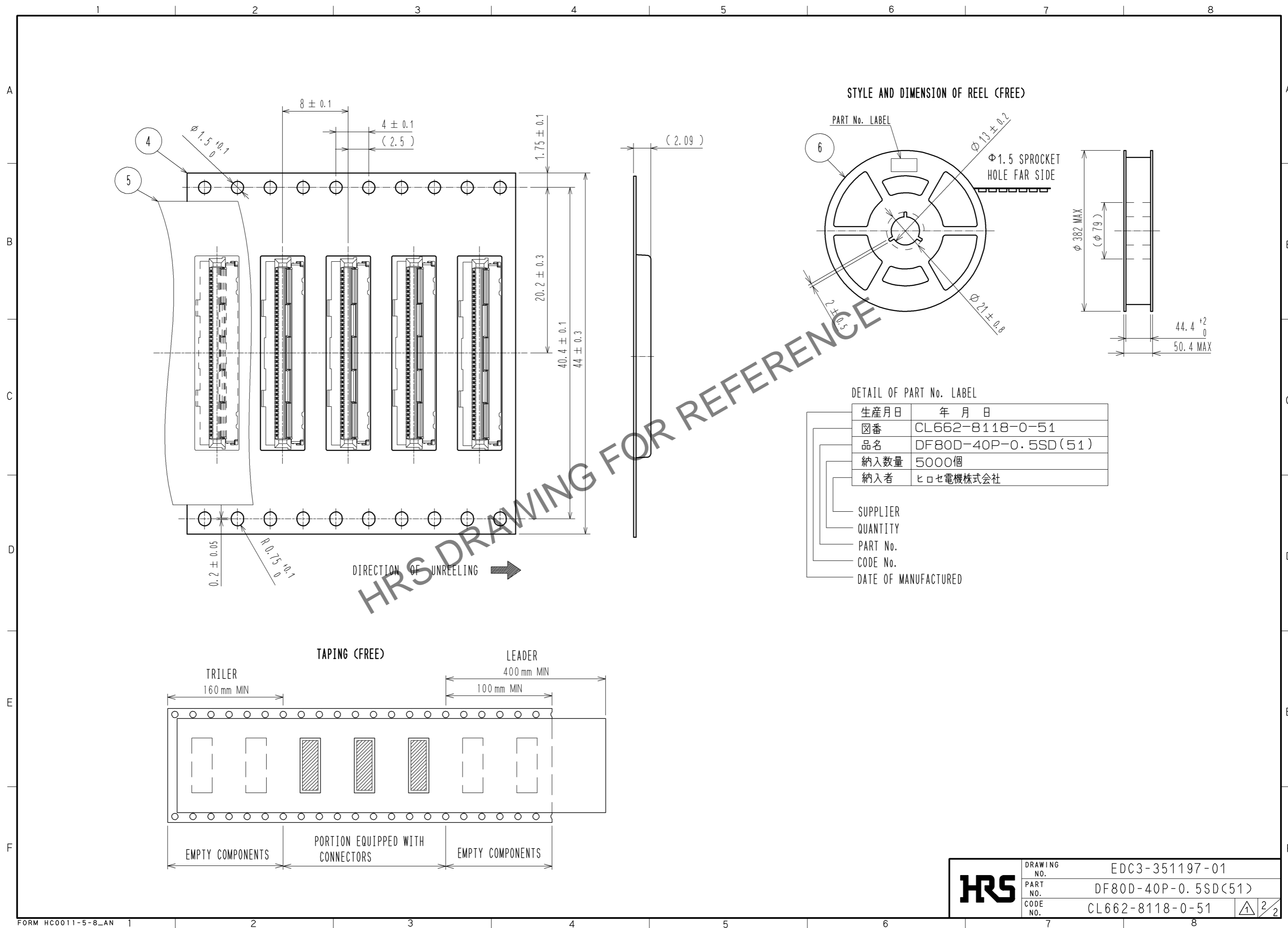


NO.	MATERIAL	FINISH	REMARKS	NO.	MATERIAL	FINISH	REMARKS
2	PHOSPHOR BRONZE	CONTACT AREA : Au PLATING 0.05μmMIN TERMINATION AREA : Au PLATING 0.05μmMIN UNDER PLATING : Ni PLATING 1μmMIN		6	PS	BLACK	
1	LCP	UL94V-0 , BLACK		5	PHPOLYESTER	CLEAR	
				4	PS	CLEAR	
				3	STAINLESS	WHOLE AREA : Sn PLATING 1μmMIN UNDER PLATING : Ni PLATING 0.2μmMIN	

UNITS	SCALE	COUNT	DESCRIPTION OF REVISIONS	DESIGNED	CHECKED	DATE
mm	FREE	1	DIS-D-002877	IO. DENPOUYA	TS. SAKATA	13.05.11

APPROVED	DATE	DRAWING NO.
TS. SAKATA	13.03.25	EDC3-351197-01
CHECED	DATE	PART NO.
TS. SAKATA	13.03.25	DF80D-40P-0.5SD(51)
DESIGNED	DATE	CODE NO.
IO. DENPOUYA	13.03.25	CL662-8118-0-51
DRAWN	DATE	
IO. DENPOUYA	13.03.25	

Jul.1.2024 Copyright 2024 HIROSE ELECTRIC CO., LTD. All Rights Reserved.
 In case of consideration for using Automotive equipment / device which demand high reliability, kindly contact our sales window correspondents.



HRS	DRAWING NO.	EDC3-351197-01
	PART NO.	DF80D-40P-0.5SD(51)
	CODE NO.	CL662-8118-0-51
		\triangle 2/2