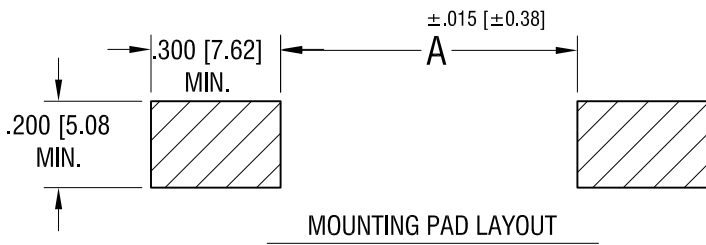
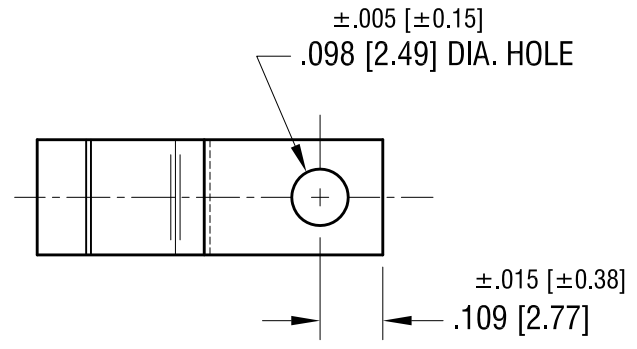
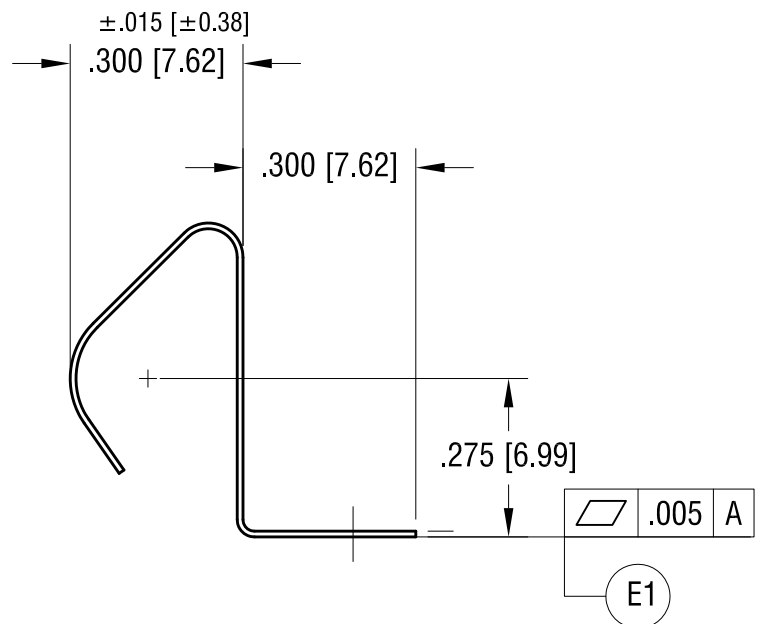
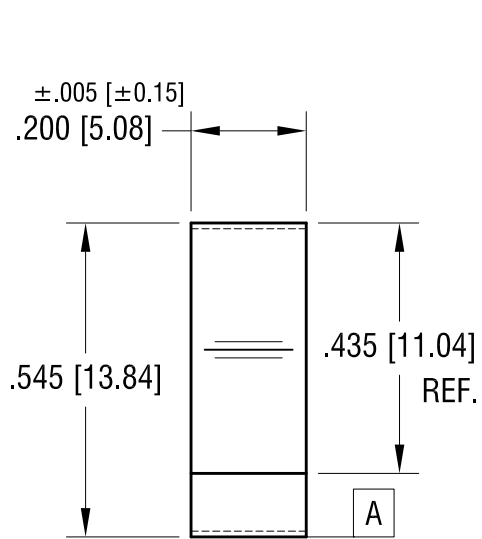
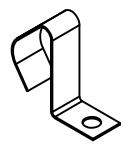


THIS DOCUMENT IS THE PROPERTY OF KEYSTONE ELECTRONICS CORP. AND SHALL NOT BE REPRODUCED, DISTRIBUTED OR USED AS A BASIS FOR MANUFACTURE WITHOUT PRIOR WRITTEN PERMISSION FROM KEYSTONE ELECTRONICS CORP.



FOR BATTERY SIZE:	'A' DIM.
2/3A	1.71 [43.4]
AA	2.380 [60.45]

ACTUAL SIZE



NOTE:
1. HEAT TREAT TO SPRING TEMPER.

KEYSTONE ELECTRONICS CORP.			
www.keyelco.com • NEW HYDE PARK, NY 11040 • Tel (516) 328-7500			
PART NAME BATTERY CONTACT, SURFACE MOUNT			
MATERIAL .010 [0.25] TH'K ANNEALED SPRING STEEL			
FINISH TIN NICKEL PLATE		DRN BY BOONE	DATE 3.16.98
		APP'D RH	SCALE 3X
TOLERANCES INCH [MM]	DECIMAL ±.010 [±0.25]	CODE C	DWG NO. 5231
ANGULAR ± 1°		UNLESS OTHERWISE SPECIFIED	

DATE	DESCRIPTION	REV.
7.06.20	ADD FLATNESS (E1) CHANGE AS PER ECN 20-062	E
8.17.04	CHANGE AS PER ECN 04-058	D