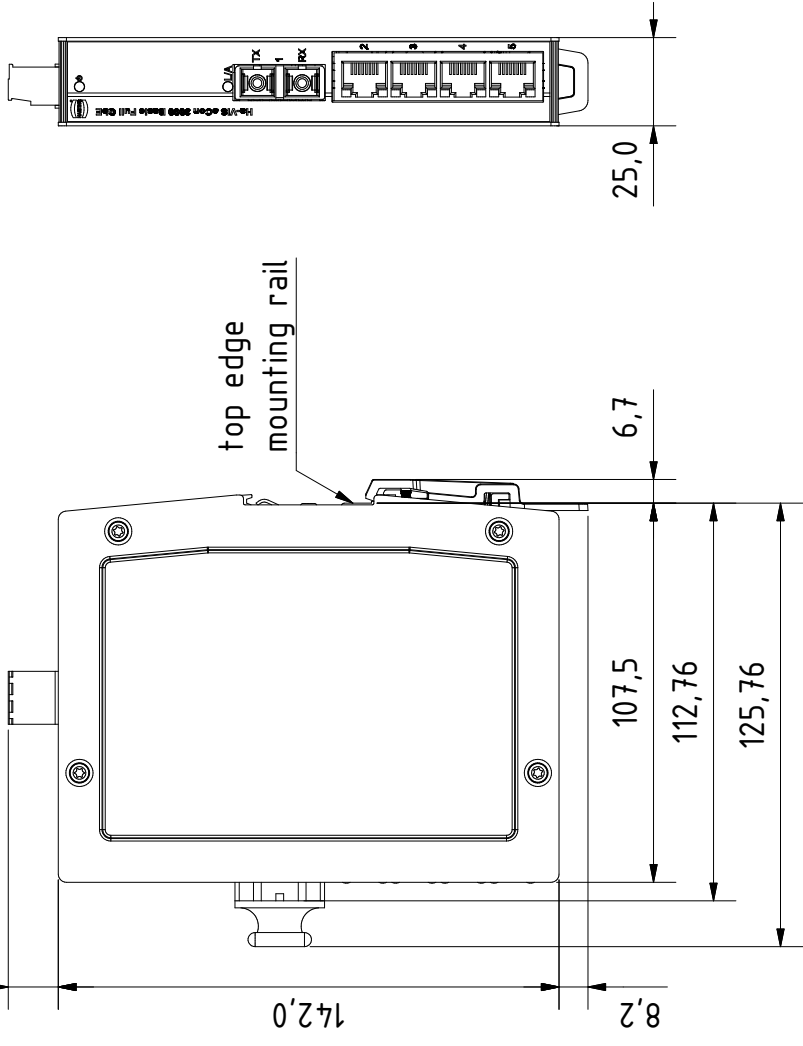


1 2 3 4 5 6



for mounting rail acc.to DIN EN 60715

	All rights reserved Department EL PD - DE	All Dimensions in mm Original Size DIN A4	Scale 1:2	Free size tol.	Ref. Sub.
	HARTING Electric GmbH & Co. KG D-32339 Espelkamp	All rights reserved	Created by STK	Inspected by KLA	Date 2014-01-17
Title Ha-VIS eCon 3041GBT-AD		Standardisation TIE		State Final Release	
Type TB		Number 24034041100		Doc-Key / ECM-Nr.	
Rev.		A		Page 1/1	

