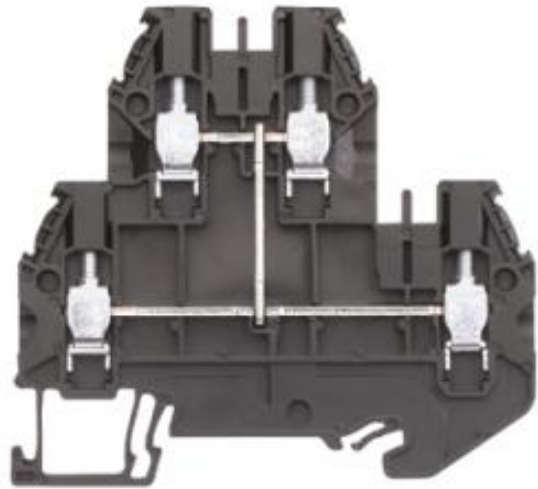


Datasheet

Art.No. 58.504.6955.1

Multi-tier terminal WT 4 E VB

Multi-tier terminal block with screw connection for mounting on TS 35; nominal cross section 4 mm²; width 6 mm; color black



Art.No.	58.504.6955.1
EAN	4049088164453
Order unit	100 pieces

Approvals



Technical data

General

Nominal cross section	4 mm ²
Colour	Black
Number of levels	2
Number of clamp positions per level	2
Width/grid dimension	6 mm
Insulating housing	PA666
Inflammability class of insulation material acc. with UL94	V0
Mounting method	DIN rail (top hat rail)
Terminal blocks for electrical installations	No

Technical data

Rated current	32 A
Rated voltage	800 V
Rated impulse voltage	8 kV
Pollution degree	3
Closing plate required	Yes
Type of insulation material	Thermoplastic
Length	59 mm

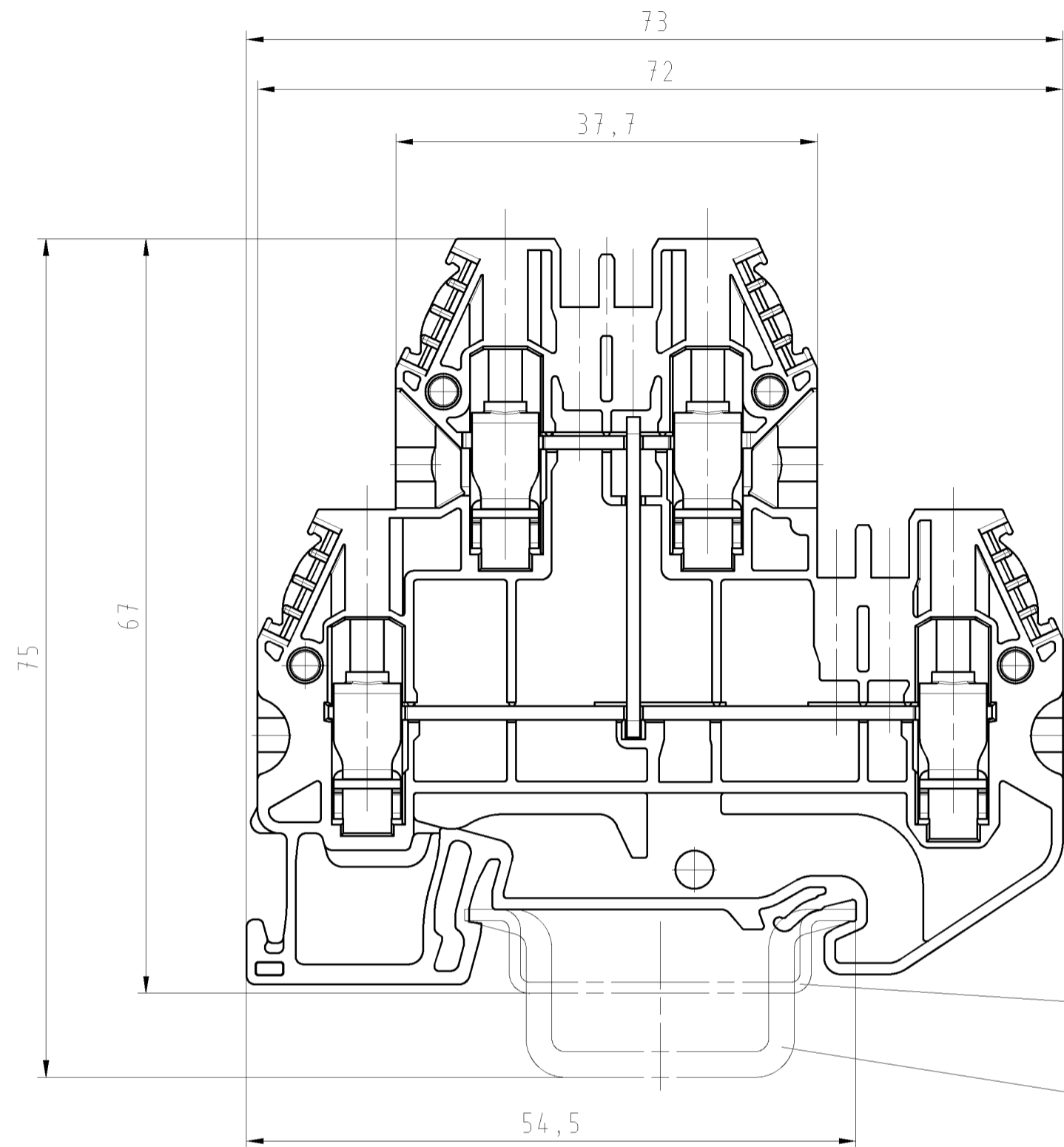
Connection Data

Connection type 1	Screw connection
Connection type 2	Screw connection
Minimum cross section solid	0.14 mm ²

Maximum cross section solid	6 mm ²
Minimum cross section fine stranded	0.14 mm ²
Maximum cross section fine stranded	6 mm ²
Maximum conductor cross section (flex., stranded) with cable end sleeve	0.5 mm ²
Maximum conductor cross section (flex., stranded) with cable end sleeve	4 mm ²
Wire strip length	9 mm
Torque conductor mounting	0.5 Nm

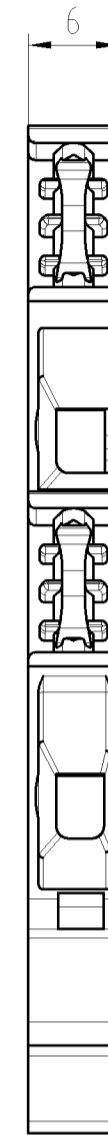
Technical Data UL/CSA

Cross section UL	26-10 AWG
Voltage UL	300 V
Current factory wiring	30 A
Current field wiring	30 A
Cross section CSA	26-10 AWG
Voltage CSA	300 V
Current CSA	30 A

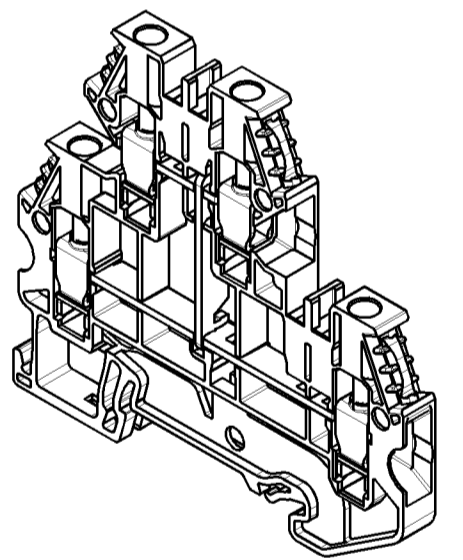


Hutschiene EN 60715-35x7,5
mounting rail EN 60715-35x7,5

Hutschiene EN 60715-35x15
mounting rail EN 60715-35x15



M/scale 1:1



* = spezielle Verpackung / special package

Teile-Nr. part-no.	Farbe color
58.504.6955.1	schwarz black
* 58.504.6995.1	schwarz black

Tolerierung nach DIN 7167/Tolerance system acc. to DIN 7167. (This DIN-standard describes the envelope principle. According to the envelope principle the deviations of form and parallelism are limited by the size tolerances).				ja/yes <input checked="" type="checkbox"/> Stoffverbots- und Deklarationsliste nach UU-TQM-05/03 ist einzuhalten. Conformity with Wieland document UU-TQM-05/03 (list of prohibited / declarable hazardous substances) to be declared!			
Freitoleranz nach General tolerance		CAD - Zeichnung, keine manuellen Änderungen CAD - drawing, no manual modifications allowed		1. Verwendung: First Use: -		Blatt: Sheet: 1 von at 1	
/		Werkstoff/Material		2013	Tag/Date	Name	
/		gezeichnet drawn		18.01		Eiler	
/		geprüft checked		-	-	-	
/		Notrepar. Stand. check		-	-	-	
/		Maßstab/Scale		T			
/		2:1		Zeichnung Nr./Drawing No.			
/		Vol.		58.504.6955.1 01K			
/		mm/Off./Surf.		Ersatz für/Replacement for: -			
/		wieland		Type		Benennung/Title	
/		Elektrische Verbindungen		WT 4 EVB		ETAGENKLEMME multi-tier blocks	
/		Index		Datum / Blatt Date / Sheet		Index	
/		Änderung/Revision					