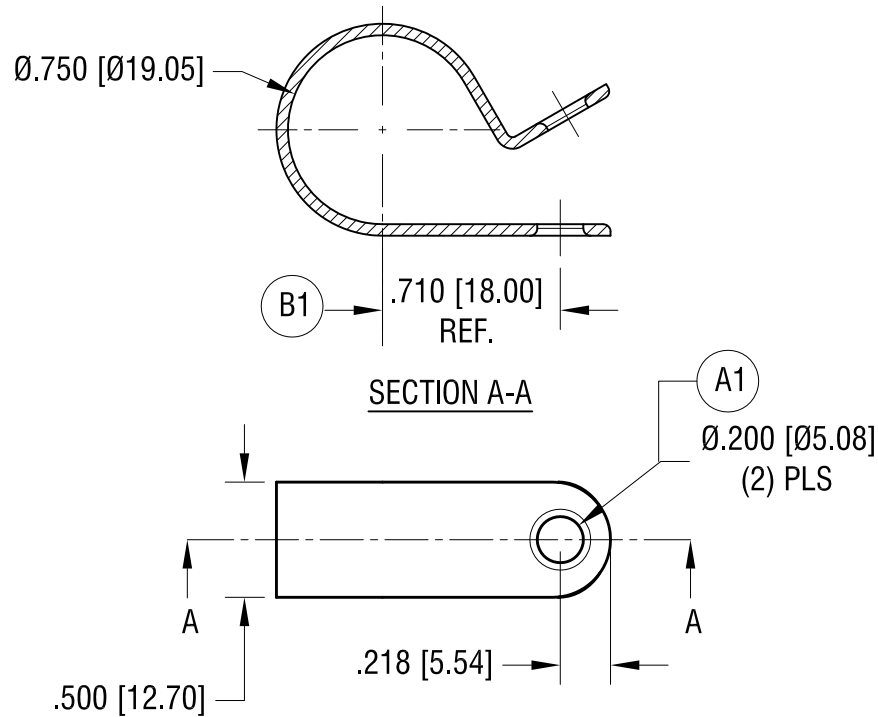
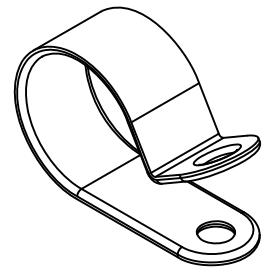


THIS DOCUMENT IS THE PROPERTY OF
KEYSTONE ELECTRONICS CORP. AND
SHALL NOT BE REPRODUCED, DISTRIBUTED
OR USED AS A BASIS FOR MANUFACTURE
WITHOUT PRIOR WRITTEN PERMISSION
FROM KEYSTONE ELECTRONICS CORP.

ACTUAL SIZE



10.16.23	(B1) WAS .785 [19.94] CHANGE AS PER ECN 23-202	B
11.01.21	(A1) WAS 203 [5.16] CHANGED AS PER ECN 21-122	A
DATE	DESCRIPTION	REV.

KEYSTONE ELECTRONICS CORP.			
www.keyelco.com • NEW HYDE PARK NY 11040 • Tel (516)328-7500			
PART NAME		NYLON CABLE CLAMP	
MATERIAL		.050 [1.27] TH'K NYLON 6/6	
FINISH		DRN BY	DATE
NONE		BOONE	11.02.06
		APP'D	SCALE
		RH	1.2X
TOLERANCES	INCH [MM]	CODE	DWG NO.
DECIMAL	± .015 [± 0.38]	C	7636
ANGULAR	± 1°		
UNLESS OTHERWISE SPECIFIED			