

TITLE;

A22 4026A INSULATING BUSH

DIM.
MM

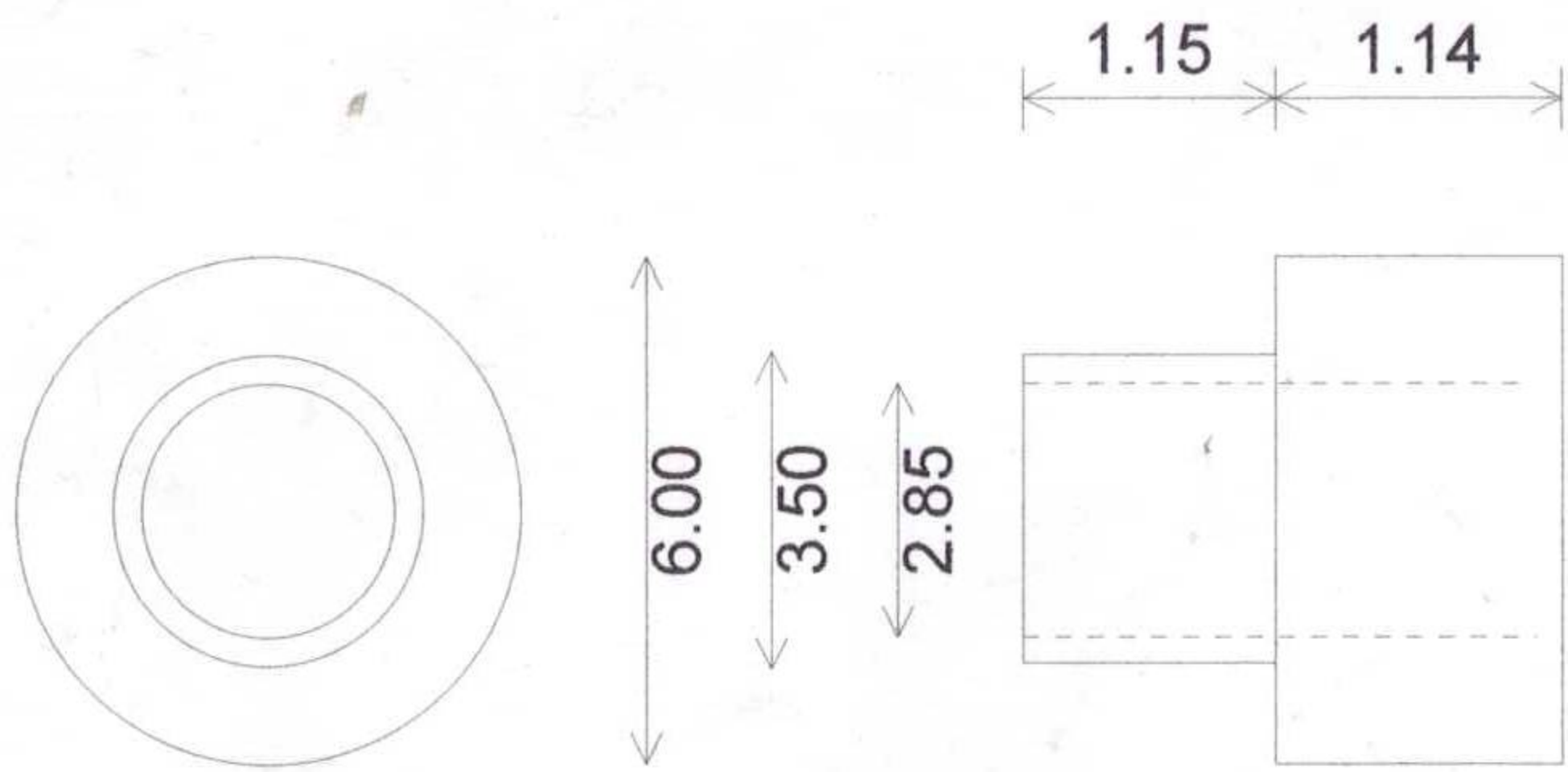
TOL.
 $\pm 0.127_{MM}$

SCALE.
NTS

DWN. **WB**

DATE. 07/06/01

ISSUE
01 ORIGINAL
2 TOL ALTERED 13-12-10



HOLE = CLEARANCE ON 6BA SCREW

MATERIAL = 30% GF PBT UL 94-0