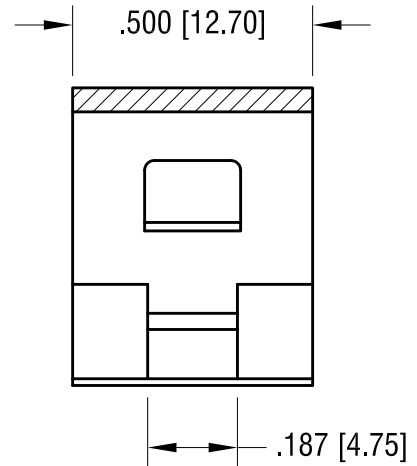
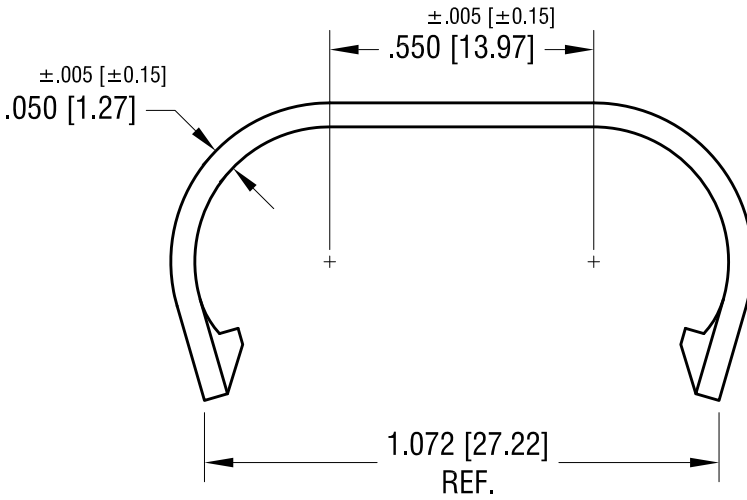
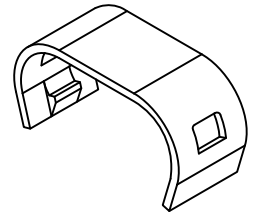
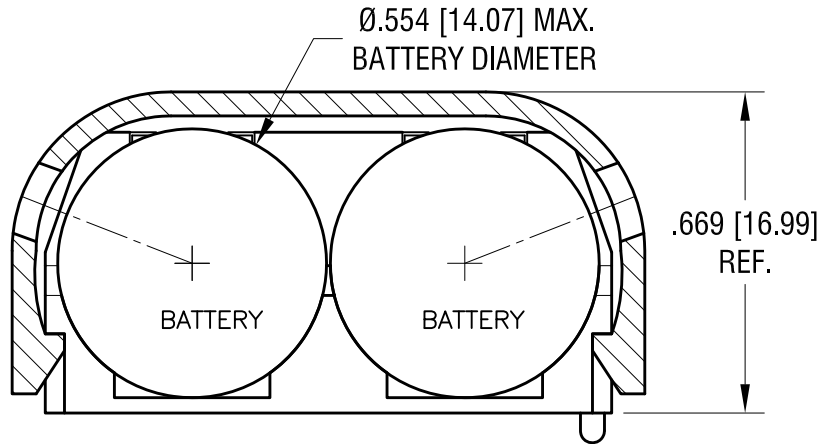


THIS DOCUMENT IS THE PROPERTY OF KEYSTONE ELECTRONICS CORP. AND SHALL NOT BE REPRODUCED, DISTRIBUTED OR USED AS A BASIS FOR MANUFACTURE WITHOUT PRIOR WRITTEN PERMISSION FROM KEYSTONE ELECTRONICS CORP.



8.30.16	CHANGE AS PER ECN 160-080	B
5.12.15	CHANGE AS PER ECN 15-056	A
DATE	DESCRIPTION	REV.

<b>KEYSTONE ELECTRONICS CORP.</b>			
www.keyelco.com • ASTORIA, N.Y. 11105-2017 • Tel (718) 956-8900			
PART NAME			
BATTERY HOLDER COVER			
MATERIAL			
POLYCARBONATE, 10% GLASS FILLED, BLACK			
FINISH		DRN BY	DATE
-		NT	12.13.10
		APP'D	SCALE
		LN	2.5X
TOLERANCES	INCH [MM]	CODE	DWG NO.
DECIMAL	±.010 [±0.25]	C	1012C
ANGULAR	± 1°		
UNLESS OTHERWISE SPECIFIED			