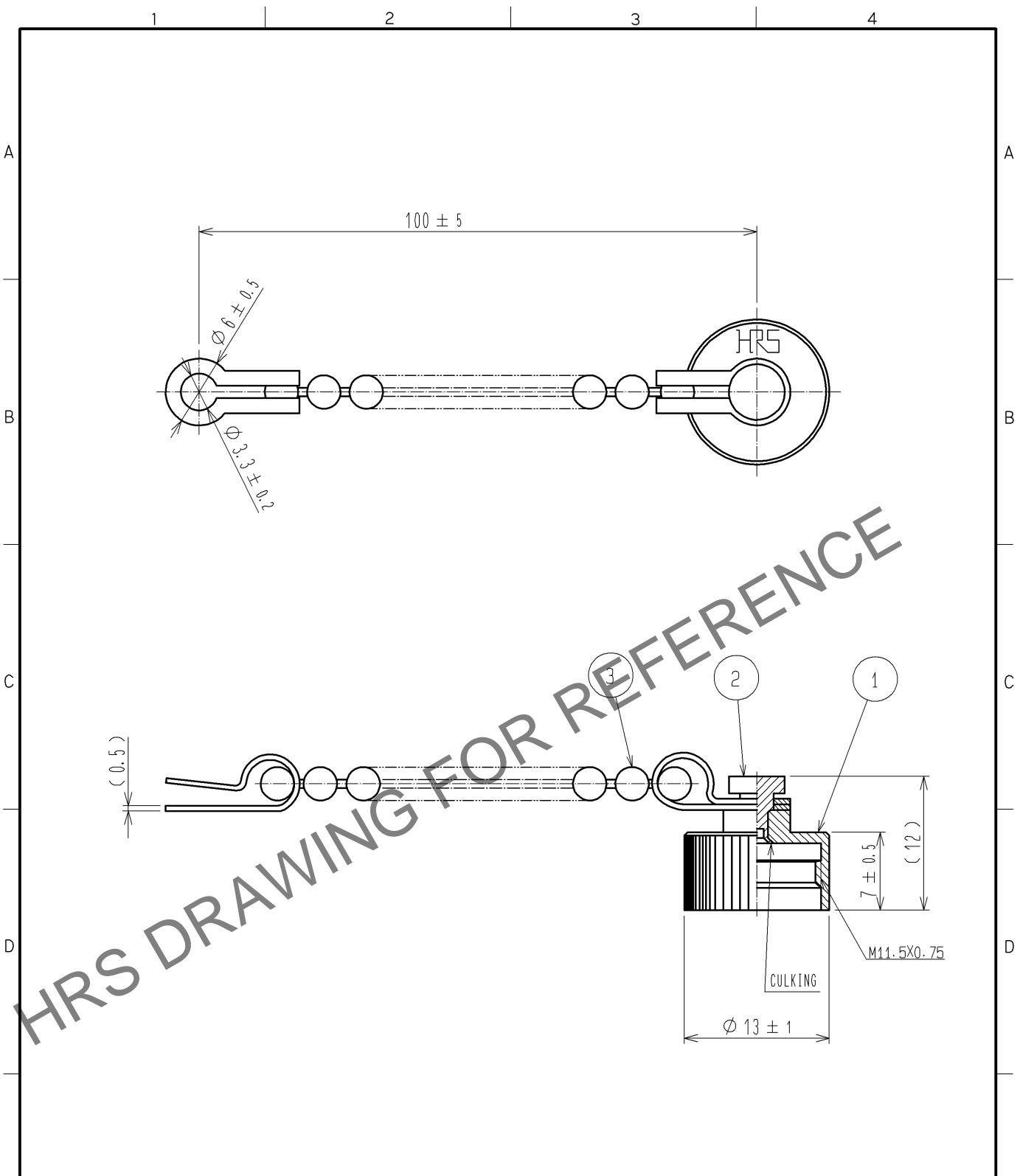


Jul.1.2024 Copyright 2024 HIROSE ELECTRIC CO., LTD. All Rights Reserved.
 In case of consideration for using Automotive equipment / device which demand high reliability, kindly contact our sales window correspondents.



△ NOTE THIS PRPDUCT IS A CAP FOR SR30-10R※-※(※), SR30-10J※-※(※).
 IT IS APPLICABLE REGARDLESS OF GIVEN ALPHABETS OR NUMBERS SHOOWN AT ※.

2	BRASS	NICKEL PLATING						
1	BRASS	NICKEL PLATING	3	BRASS	NICKEL PLATING			
NO.	MATERIAL	FINISH	REMARKS	NO.	MATERIAL	FINISH	REMARKS	
UNITS mm		SCALE 2 : 1	COUNT 1	DESCRIPTION OF REVISIONS DIS-C-002951		DESIGNED HY. KISHI	CHECKED EJ. KUNII	DATE 13. 04. 03
HIROSE ELECTRIC CO., LTD.		APPROVED : MO. SATOH	06. 04. 27	DRAWING NO.		EDC4-023421-71		
		CHECKED : EJ. KUNII	06. 04. 24	PART NO.		SR30-10RC1(71)		
		DESIGNED : HS. NAGANO	06. 04. 19	CODE NO.		CL103-0344-7-71		
		DRAWN : TO. HORII	06. 04. 14			1/1		