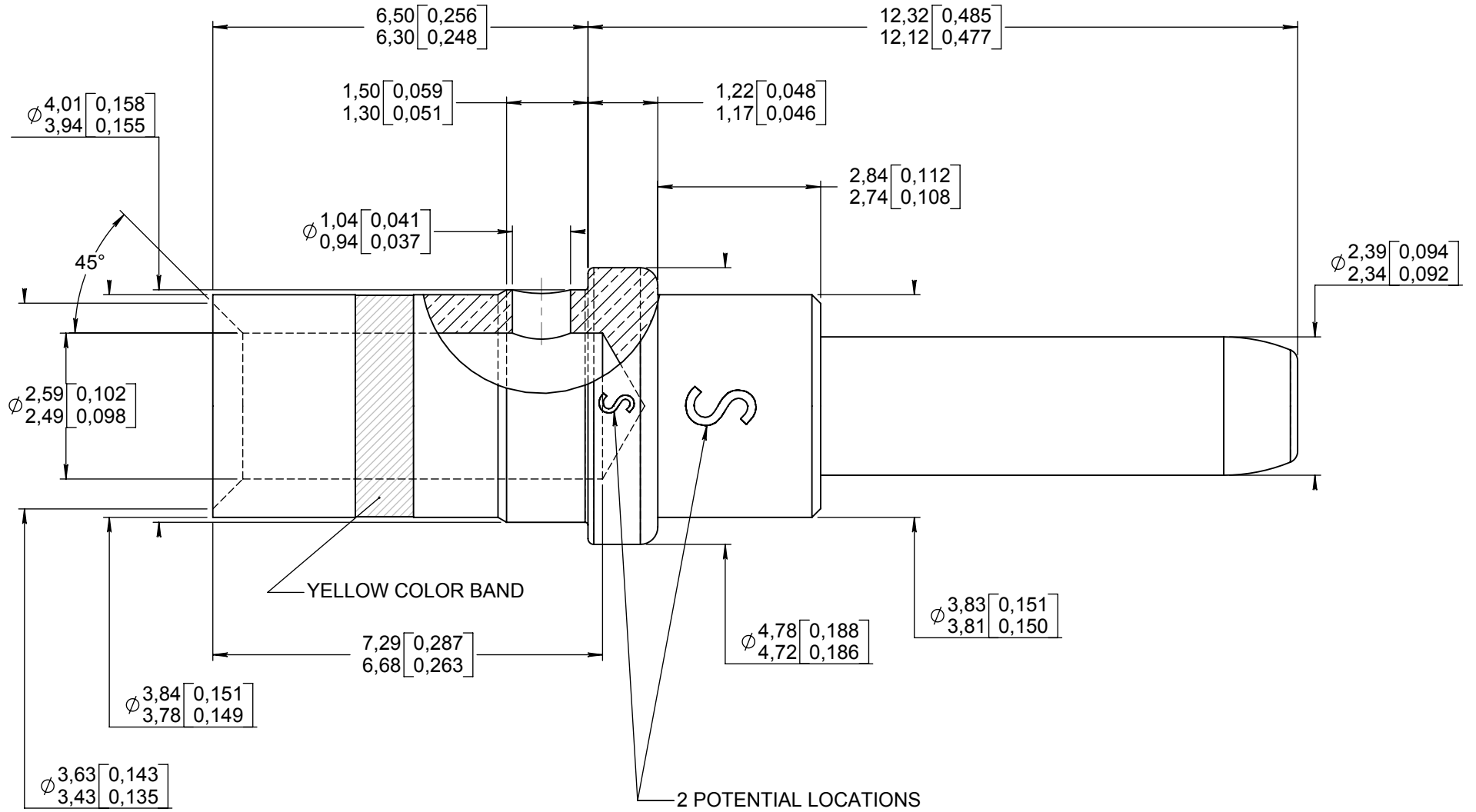


Series  
EPX

SIZE 12 CRIMP PIN CONTACT

Issue:  
Jan 25, 2008

Page  
1/1



MATERIAL : COPPER ALLOY HARDNESS IN KNOOP 120 MAX (107 HV) FOR CRIMP BARREL

FINISH : GOLD PER MIL-G-45204 TYPE I OR II GRADE C OR D CLASS 1 50 MICROINCHES OVER NICKEL PLATE PER QQ-N-290

WIRES ACCOMODATED : AWG 12-14-16  
INSULATOR DIAMETER : .133 MAX (3,40)  
STRIP LENGHT : .236 (6)

CRIMP CONTACT TENSILE REQUIREMENTS USING MIL SPEC TOOLING AND WIRE SPEC  
M22520/1-01 12 GA. 108 LBS (49 daN)

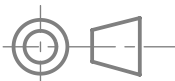
CRIMPED CONTACTS WILL SHOW NO CRACK WHEN INSPECTED PER MIL-C-22520 AT 10X

RADIALL TOOLING RECOMMENDATION  
CRIMPING TOOL : M22520/1-01 (RADIALL 282 291)  
SELECTOR POSITION : 6 FOR AWG 16  
7 FOR AWG 14  
8 FOR AWG 12

POSITIONER : M22520/1-02 (RADIALL 282 972)

INSERTION/EXTRACTION TOOL : M81969/14-04 (RADIALL P/N : 282 549 004)

DIMENSIONS : mm (inch are given for information only)



Confidential information not to be disclosed to third parties without Radiall approval. This information is given as an indication. In the continual goal to improve our products, we reserve the right to make any modifications judged necessary.

4112\_9311

CREATION				
PEN:				
NOM: FALLETI L				
DATE: Jan 17, 90				
APPR.:				
	Jan 25, 08	Ø3.81/3.83 [0,150/.151] was Ø3.81/3.86 [0,150/.152] and ins/ext tool updated	PAILOT N	Pessard M.
	May 16, 07	Add "16" in wires accomodated and "6 for AWG 16" in selector position	MALTY S	PESSARD M
	Nov 28, 06	Redrawn and dimensions modified	PAILOT N	DUPUIS
	Issue	Revisions	Name	Approved

# Mouser Electronics

Authorized Distributor

Click to View Pricing, Inventory, Delivery & Lifecycle Information:

[Radial:](#)

[617250](#)