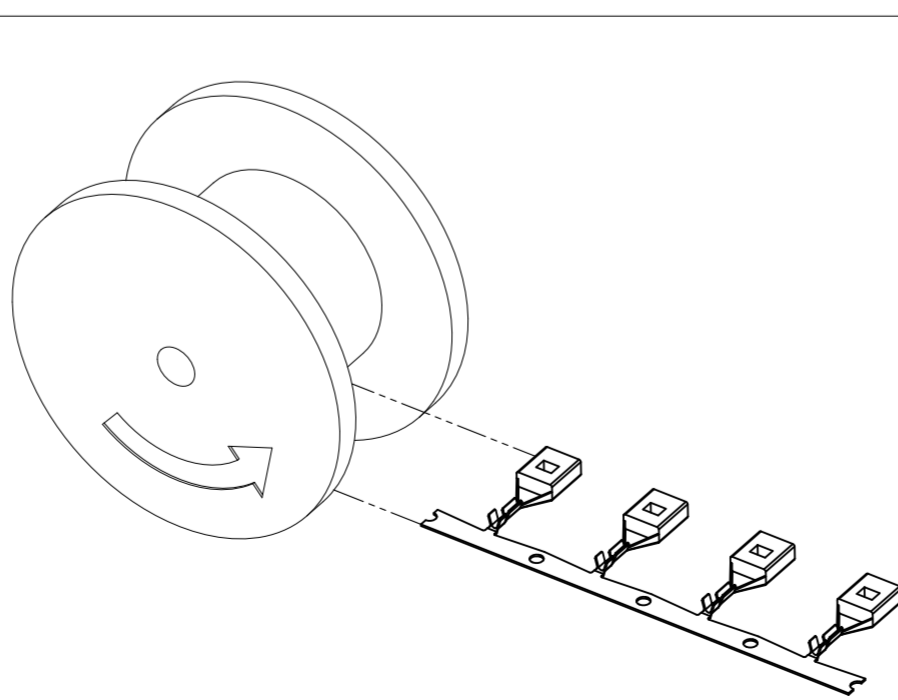
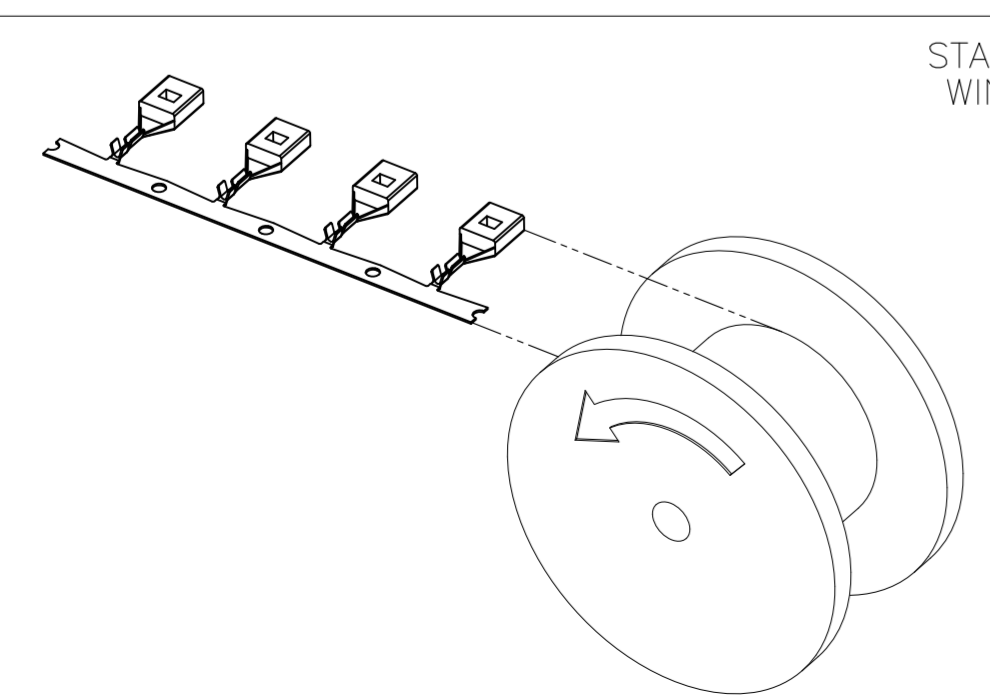
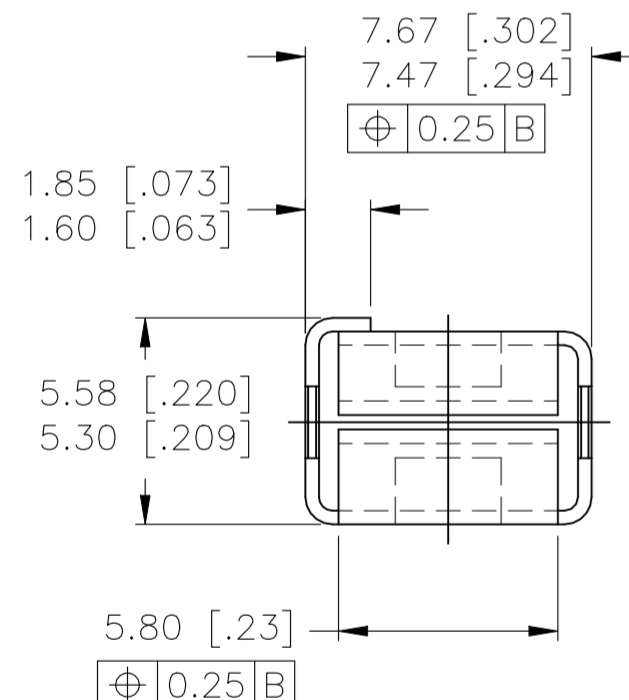
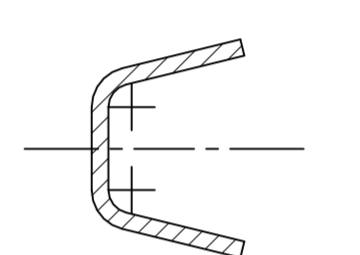
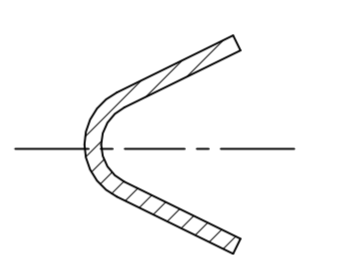
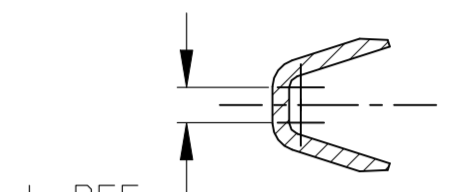
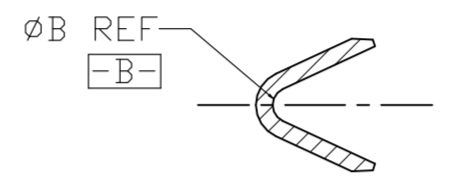
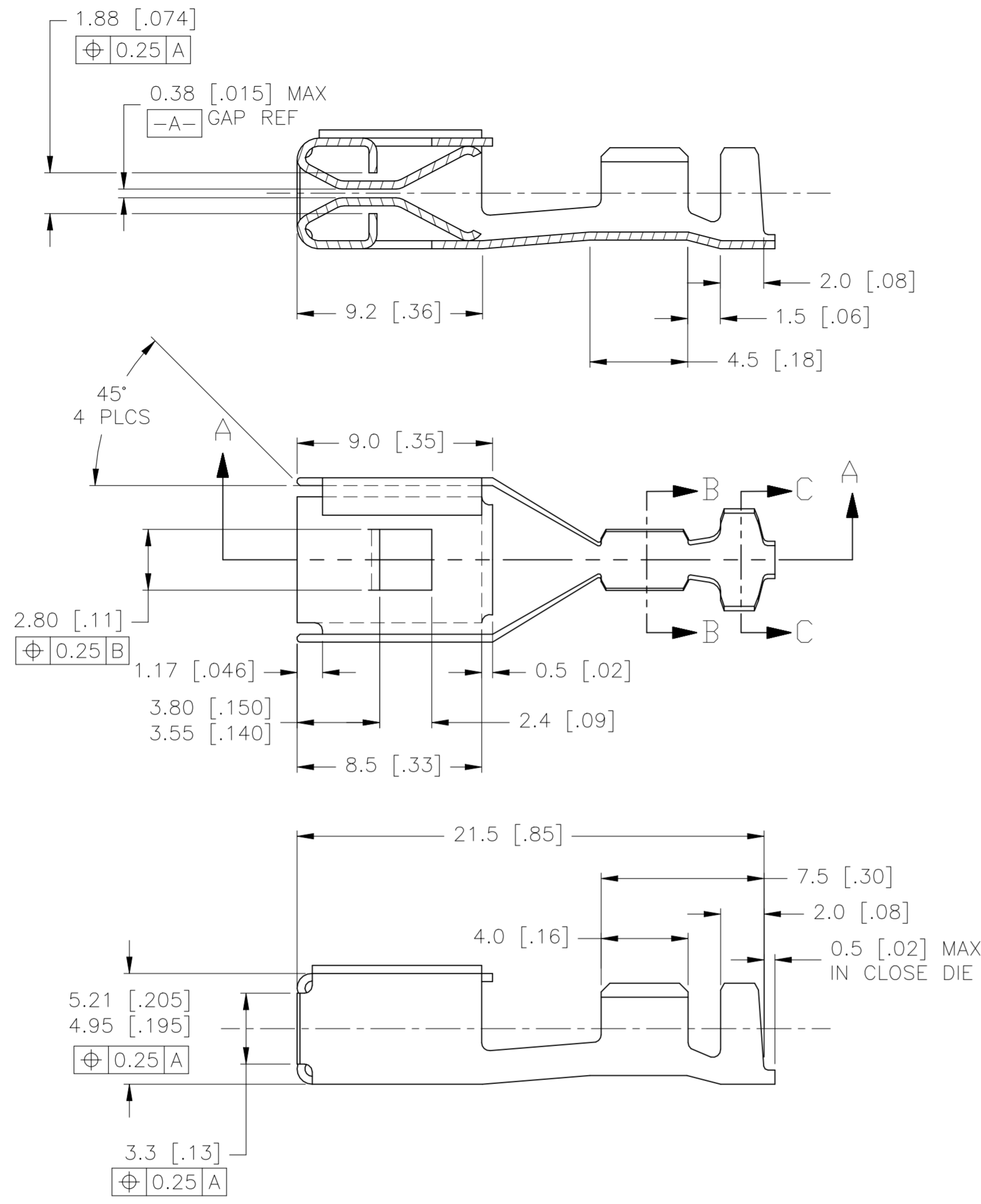


REVISIONS					
P	LTR	DESCRIPTION	DATE	DWN	APVD
C1		REVISED PER ECN-22-145617	23JUN2022	AP	MT

NOTES:
 UNLESS OTHERWISE SPECIFIED:
 ALL RADII TO BE 0.5 [.02]
 MATERIAL: CA194 BRASS
 FINISH: HOT TIN DIP



OBSOLETE	1-1438250-1		13	2	1.00 [.038]	1.3 [.05]
	1438250-4	1438250-5	10	1	2.55 [.100]	-
	1438250-3		11	2	1.50 [.059]	1.3 [.05]
	1438250-2	1438250-8	14	1	1.50 [.059]	-
	1438250-1	-	18	1	1.00 [.038]	-
	TE P/N	TE P/N REWOUND	GRIP CODE	WING TYPE	B	L

THIS DRAWING IS A CONTROLLED DOCUMENT.

DIMENSIONS: mm [INCHES]	TOLERANCES UNLESS OTHERWISE SPECIFIED: 0 PLC ± - 1 PLC ± - 2 PLC ± 0.25 3 PLC ± - 4 PLC ± - ANGLES ± 2°	DWN JR BUSSARD 11JUN2003	CHK DM REVAK 11JUN2003	APVD DM REVAK 11JUN2003	NAME
MATERIAL SEE NOTES	FINISH SEE NOTES	PRODUCT SPEC -	APPLICATION SPEC -	WEIGHT 0.000000	SCALE A2 00779
CUSTOMER DRAWING		SCALE 5:1		SHEET 1 of 1	REV C1

TE Connectivity
 TERMINAL BLADE, FEMALE
 SIZE CAGE CODE DRAWING NO RESTRICTED TO
 A2 00779 C=1438250 -