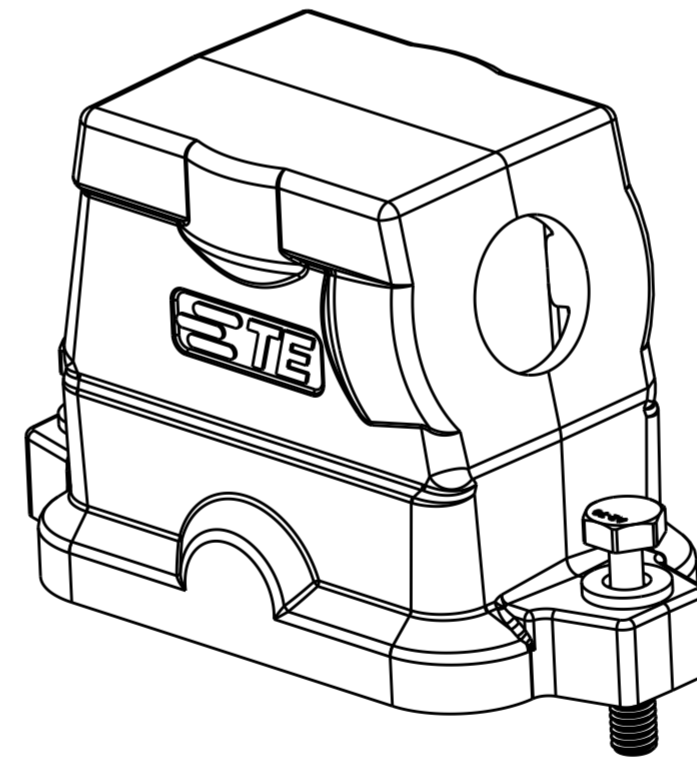
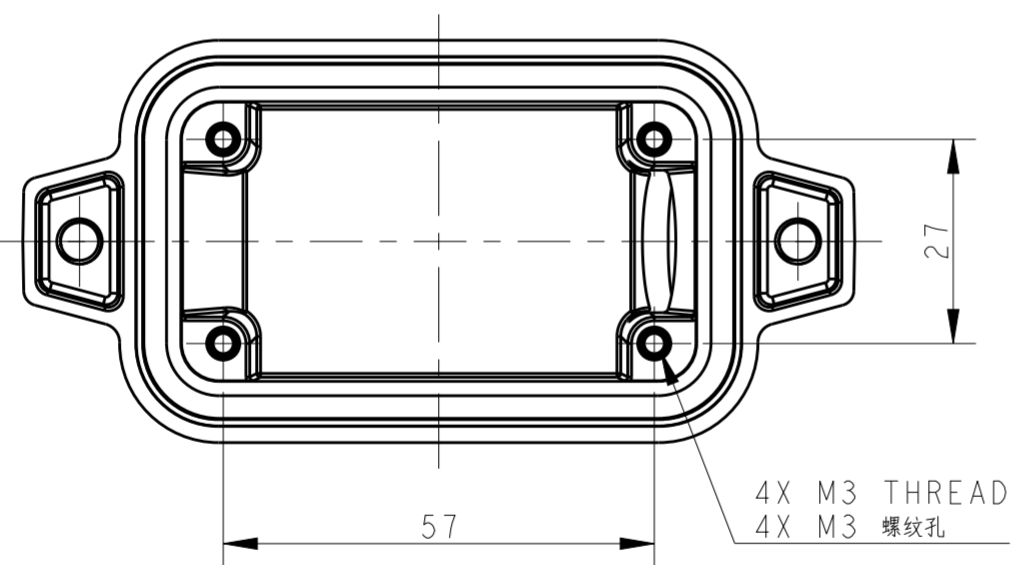
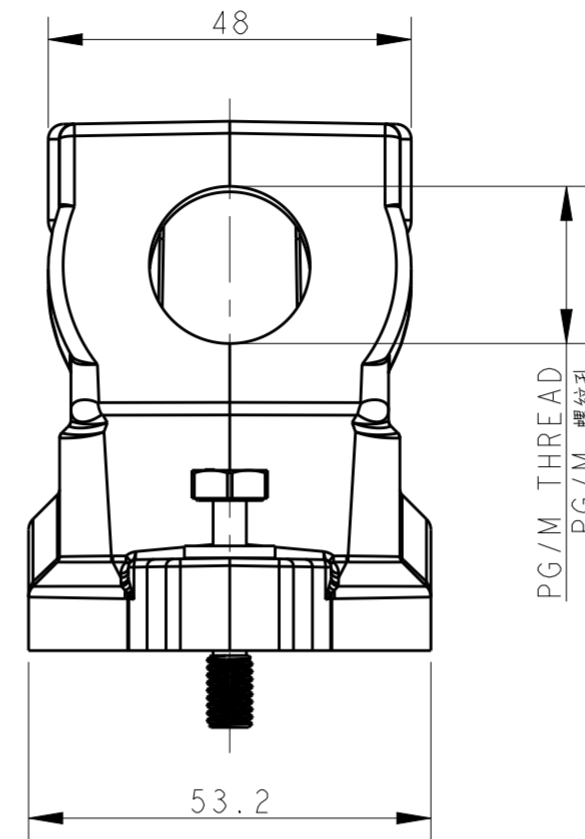
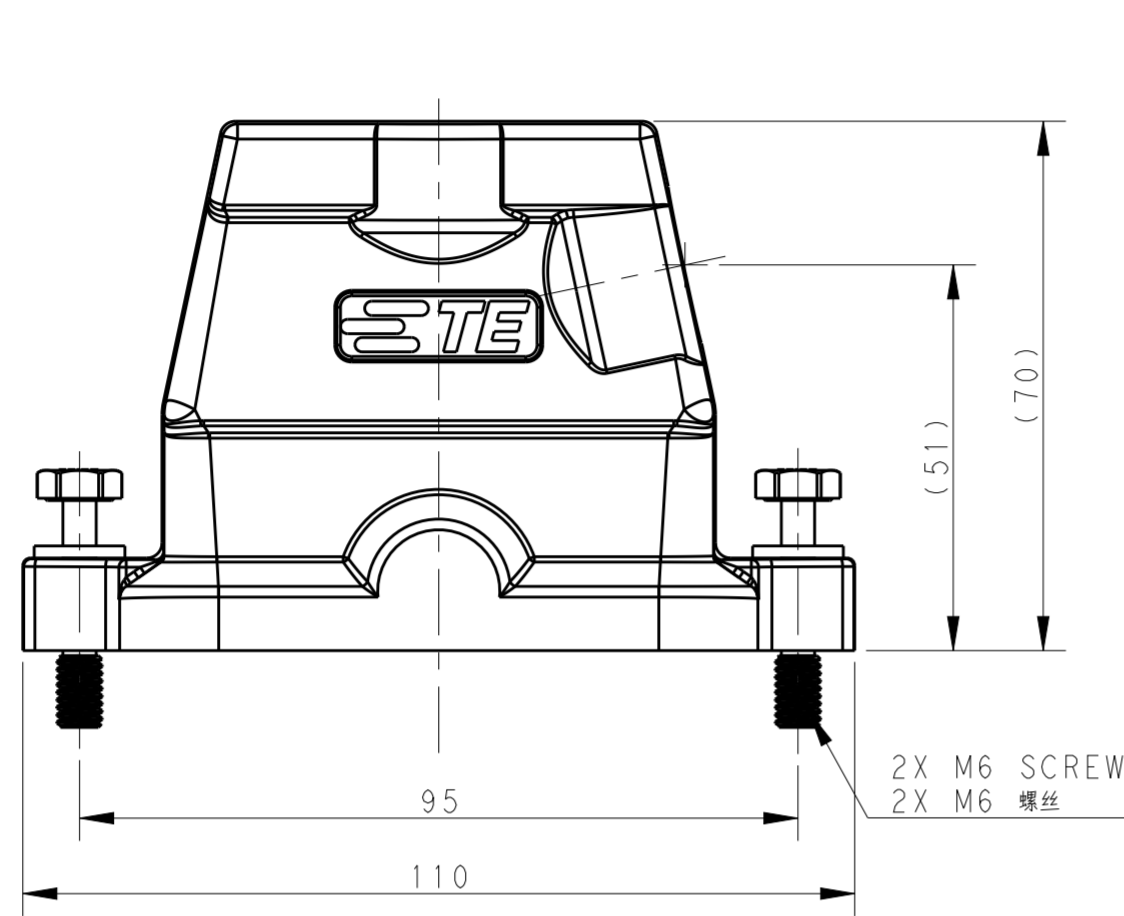


THIS DRAWING IS UNPUBLISHED. RELEASED FOR PUBLICATION 20
 © COPYRIGHT 20 BY - ALL RIGHTS RESERVED.

REVISIONS				
P	LTR	DESCRIPTION	DATE	APVD
A		INITIAL RELEASE	14OCT2016	DW CW



NOTES:
 1. TECHNICAL CHARACTERISTICS:
 HOOD MATERIAL: DIE CAST ALUMINIUM ALLOY
 SURFACE: SEE TABLE
 DEGREE OF PROTECTION: IP68 (MATED)

注释
 1. 技术参数:
 壳体材料: 铝合金
 表面处理: 见表格
 防护等级: IP68 (配合)


THIS DRAWING IS A CONTROLLED DOCUMENT.		DWN 14OCT2016 DAVID WANG	STE TE Connectivity	
		CHK 14OCT2016 CHRIS WANG		
DIMENSIONS: mm		APVD 14OCT2016 XIANG XU	NAME H10BPR-TSHC-PG/M-EMC-C	
TOLERANCES UNLESS OTHERWISE SPECIFIED:		PRODUCT SPEC 108-137191	SIZE A2	
0 PLC ± 1 PLC ± 2 PLC ± 3 PLC ± 4 PLC ± ANGLES ± FINISH		APPLICATION SPEC 114-137191	CAGE CODE -	DRAWING NO G-T191210XXXX009
MATERIAL -		WEIGHT -	RESTRICTED TO -	SCALE 1:1
		CUSTOMER DRAWING	SHEET 1	OF 2
			REV A	

THIS DRAWING IS UNPUBLISHED. RELEASED FOR PUBLICATION 20
 © COPYRIGHT 20 BY - ALL RIGHTS RESERVED.

REVISIONS				
P	LTR	DESCRIPTION	DATE	APVD
-		SEE SHEET 1	-	-

NOTES:
SEE SHEET 1

T1912102132-009	H10BPR-TSHC-M32-EMC-C	H10BPR HOOD,CENTER LOCKING,SIDE ENTRY M32,POWDER COATED,GREY H10BPR中部锁定侧出上壳M32 灰色	M32
T1912102129-009	H10BPR-TSHC-PG29-EMC-C	H10BPR HOOD,CENTER LOCKING,SIDE ENTRY PG29,POWDER COATED,GREY H10BPR中部锁定侧出上壳PG29 灰色	PG29
T1912102125-009	H10BPR-TSHC-M25-EMC-C	H10BPR HOOD,CENTER LOCKING,SIDE ENTRY M25,POWDER COATED,GREY H10BPR中部锁定侧出上壳M25 灰色	M25
T1912102121-009	H10BPR-TSHC-PG21-EMC-C	H10BPR HOOD,CENTER LOCKING,SIDE ENTRY PG21,POWDER COATED,GREY H10BPR中部锁定侧出上壳PG21 灰色	PG21
T1912102120-009	H10BPR-TSHC-M20-EMC-C	H10BPR HOOD,CENTER LOCKING,SIDE ENTRY M20,POWDER COATED,GREY H10BPR中部锁定侧出上壳M20 灰色	M20
T1912102116-009	H10BPR-TSHC-PG16-EMC-C	H10BPR HOOD,CENTER LOCKING,SIDE ENTRY PG16,POWDER COATED,GREY H10BPR中部锁定侧出上壳PG16 灰色	PG16
T1912101132-009	H10BPR-TSHC-M32-EMC-C	H10BPR HOOD,CENTER LOCKING,SIDE ENTRY M32,POWDER COATED,SILVER WHITE H10BPR中部锁定侧出上壳M32 银白色	M32
T1912101129-009	H10BPR-TSHC-PG29-EMC-C	H10BPR HOOD,CENTER LOCKING,SIDE ENTRY PG29,POWDER COATED,SILVER WHITE H10BPR中部锁定侧出上壳PG29 银白色	PG29
T1912101125-009	H10BPR-TSHC-M25-EMC-C	H10BPR HOOD,CENTER LOCKING,SIDE ENTRY M25,POWDER COATED,SILVER WHITE H10BPR中部锁定侧出上壳M25 银白色	M25
T1912101121-009	H10BPR-TSHC-PG21-EMC-C	H10BPR HOOD,CENTER LOCKING,SIDE ENTRY PG21,POWDER COATED,SILVER WHITE H10BPR中部锁定侧出上壳PG21 银白色	PG21
T1912101120-009	H10BPR-TSHC-M20-EMC-C	H10BPR HOOD,CENTER LOCKING,SIDE ENTRY M20,POWDER COATED,SILVER WHITE H10BPR中部锁定侧出上壳M20 银白色	M20
T1912101116-009	H10BPR-TSHC-PG16-EMC-C	H10BPR HOOD,CENTER LOCKING,SIDE ENTRY PG16,POWDER COATED,SILVER WHITE H10BPR中部锁定侧出上壳PG16 银白色	PG16
T1912100132-009	H10BPR-TSHC-M32-EMC-C	H10BPR HOOD,CENTER LOCKING,SIDE ENTRY M32,POWDER COATED,BLACK H10BPR中部锁定侧出上壳M32 黑色	M32
T1912100129-009	H10BPR-TSHC-PG29-EMC-C	H10BPR HOOD,CENTER LOCKING,SIDE ENTRY PG29,POWDER COATED,BLACK H10BPR中部锁定侧出上壳PG29 黑色	PG29
T1912100125-009	H10BPR-TSHC-M25-EMC-C	H10BPR HOOD,CENTER LOCKING,SIDE ENTRY M25,POWDER COATED,BLACK H10BPR中部锁定侧出上壳M25 黑色	M25
T1912100121-009	H10BPR-TSHC-PG21-EMC-C	H10BPR HOOD,CENTER LOCKING,SIDE ENTRY PG21,POWDER COATED,BLACK H10BPR中部锁定侧出上壳PG21 黑色	PG21
T1912100120-009	H10BPR-TSHC-M20-EMC-C	H10BPR HOOD,CENTER LOCKING,SIDE ENTRY M20,POWDER COATED,BLACK H10BPR中部锁定侧出上壳M20 黑色	M20
T1912100116-009	H10BPR-TSHC-PG16-EMC-C	H10BPR HOOD,CENTER LOCKING,SIDE ENTRY PG16,POWDER COATED,BLACK H10BPR中部锁定侧出上壳PG16 黑色	PG16
PART NUMBER 料号		DESCRIPTION 描述	PG/M THREAD PG/M 螺纹

THIS DRAWING IS A CONTROLLED DOCUMENT.		DWN DAVID WANG 14OCT2016	 TE Connectivity	
		CHK CHRIS WANG 14OCT2016		
		APVD XIANG XU 14OCT2016	NAME H10BPR-TSHC-PG/M-EMC-C	
DIMENSIONS: mm		PRODUCT SPEC 108-137191	RESTRICTED TO	
TOLERANCES UNLESS OTHERWISE SPECIFIED: 0 PLC ± 1 PLC ± 2 PLC ± 3 PLC ± 4 PLC ± ANGLES ± FINISH		APPLICATION SPEC 114-137191	SIZE A2	CAGE CODE -
MATERIAL -		WEIGHT -	DRAWING NO G-T191210XXXX009	SCALE 1:1
		CUSTOMER DRAWING	SHEET 2 OF 2	REV A

Mouser Electronics

Authorized Distributor

Click to View Pricing, Inventory, Delivery & Lifecycle Information:

TE Connectivity:

[T1912100132-009](#) [T1912100116-009](#) [T1912100120-009](#) [T1912100121-009](#) [T1912100129-009](#) [T1912102121-009](#)
[T1912101121-009](#) [T1912101125-009](#) [T1912101129-009](#) [T1912101132-009](#) [T1912102116-009](#) [T1912102120-009](#)
[T1912100125-009](#) [T1912102125-009](#) [T1912102129-009](#) [T1912102132-009](#) [T1912101116-009](#) [T1912101120-009](#)