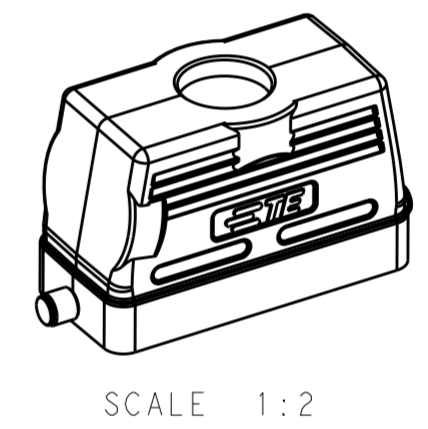
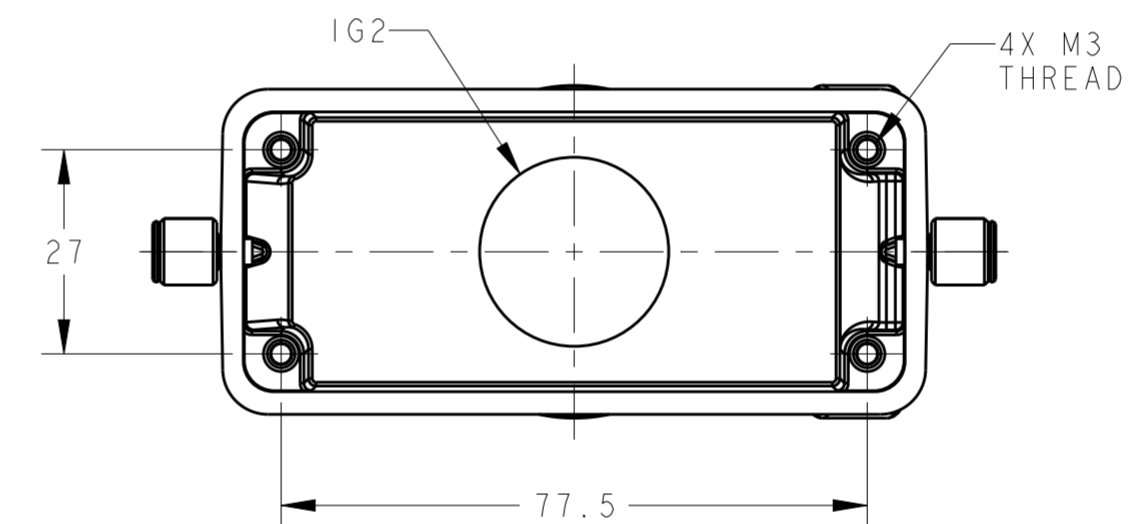
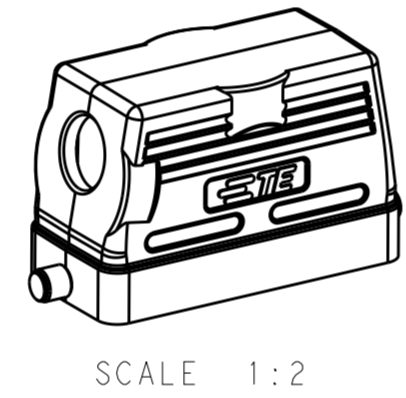
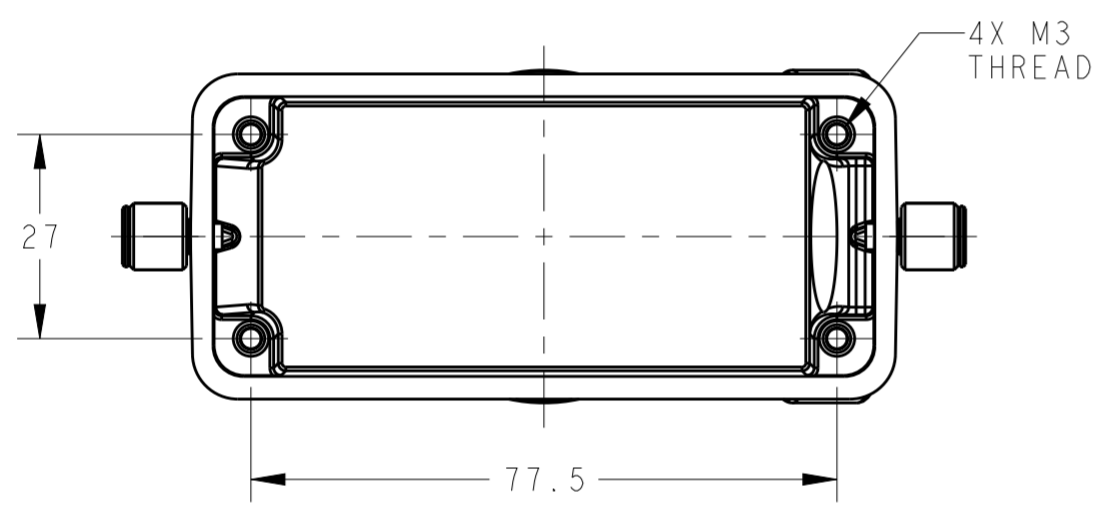
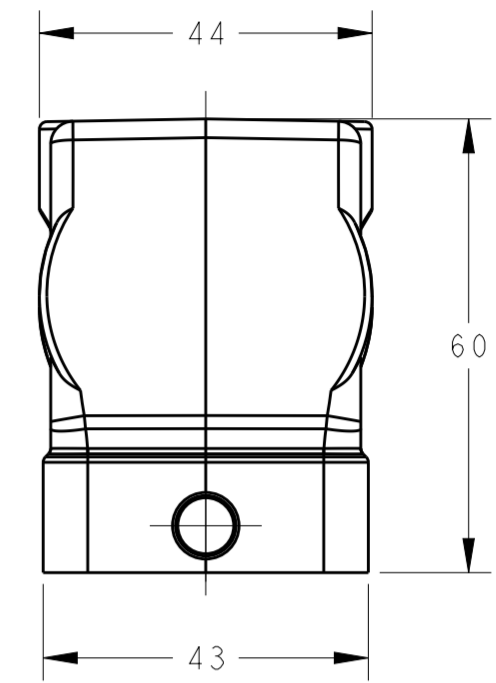
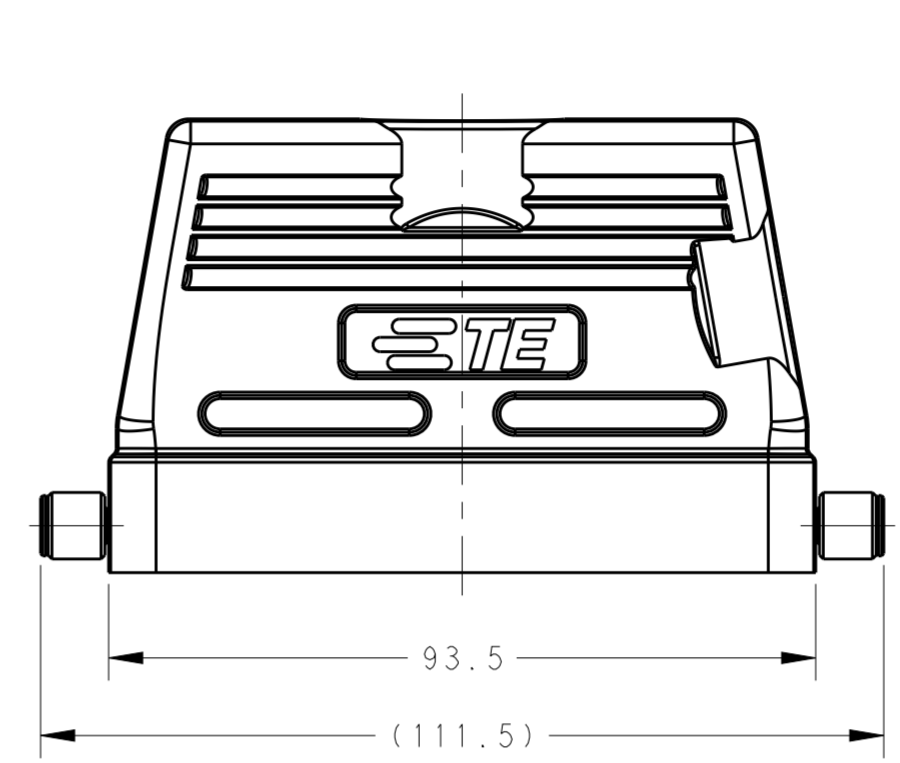
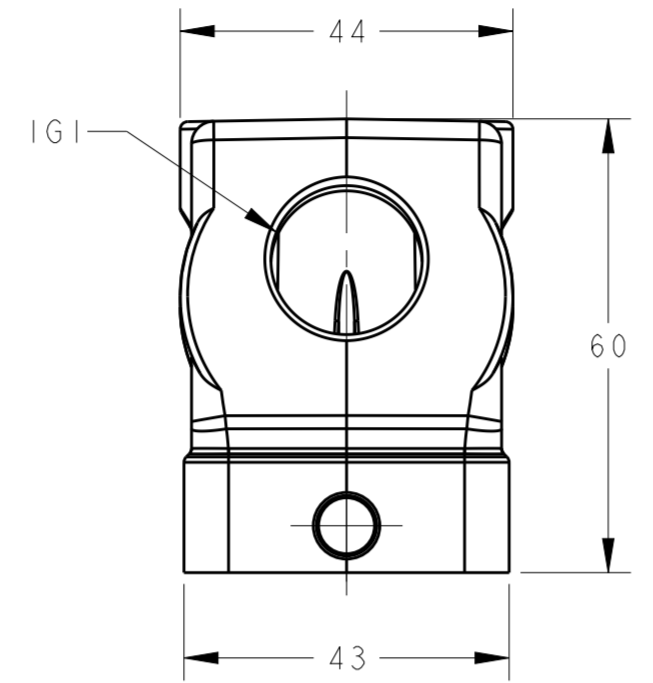
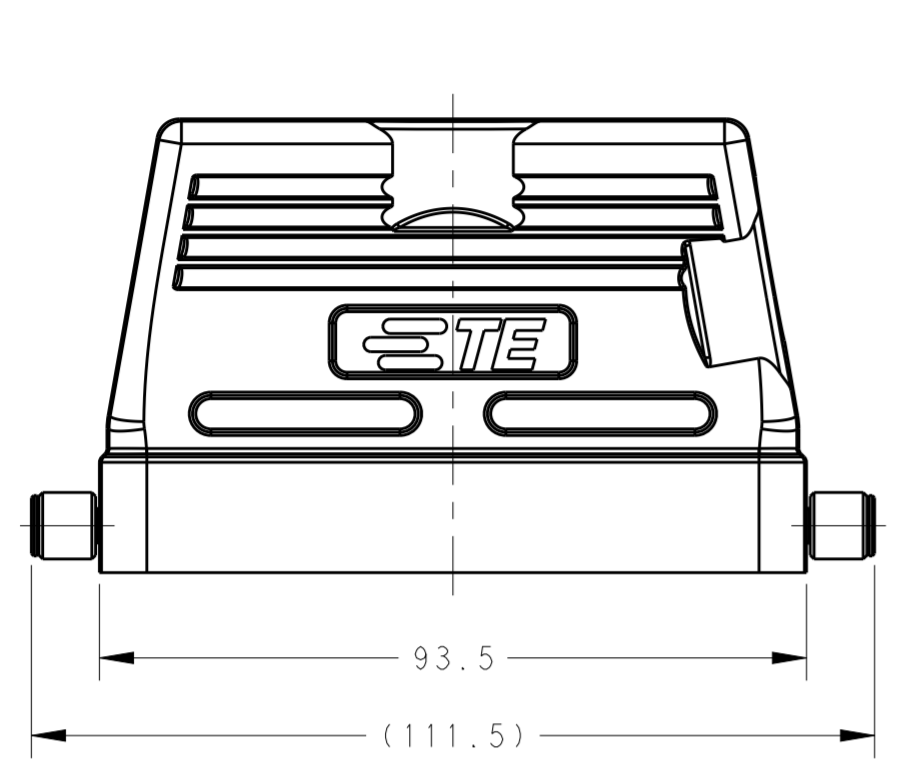


THIS DRAWING IS UNPUBLISHED. RELEASED FOR PUBLICATION 20
 © COPYRIGHT 20 BY - ALL RIGHTS RESERVED.

| REVISIONS | | | | |
|-----------|-----|-------------|-----------|-------|
| P | LTR | DESCRIPTION | DATE | APVD |
| | A | INITIAL | 25MAY2015 | DW CW |
| | | | | |
| | | | | |



TYPE 1: LOW CONSTRUCTION, SIDE ENTRY

TYPE 2: LOW CONSTRUCTION, TOP ENTRY

NOTES:
 I. TECHNICAL CHARACTERISTICS:
 HOOD MATERIAL: DIE CAST ALUMINIUM ALLOY
 SURFACE: POWDER COATED, GREY
 OPERATION TEMPERATURE: -40-+125°C
 DEGREE OF PROTECTION: IP65 (MATED)

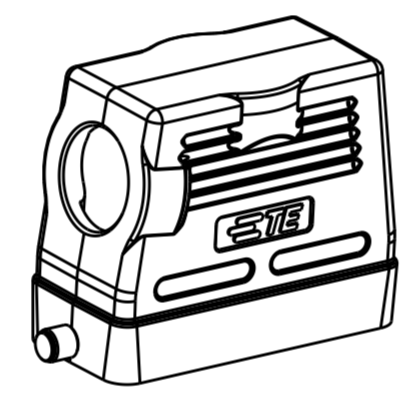
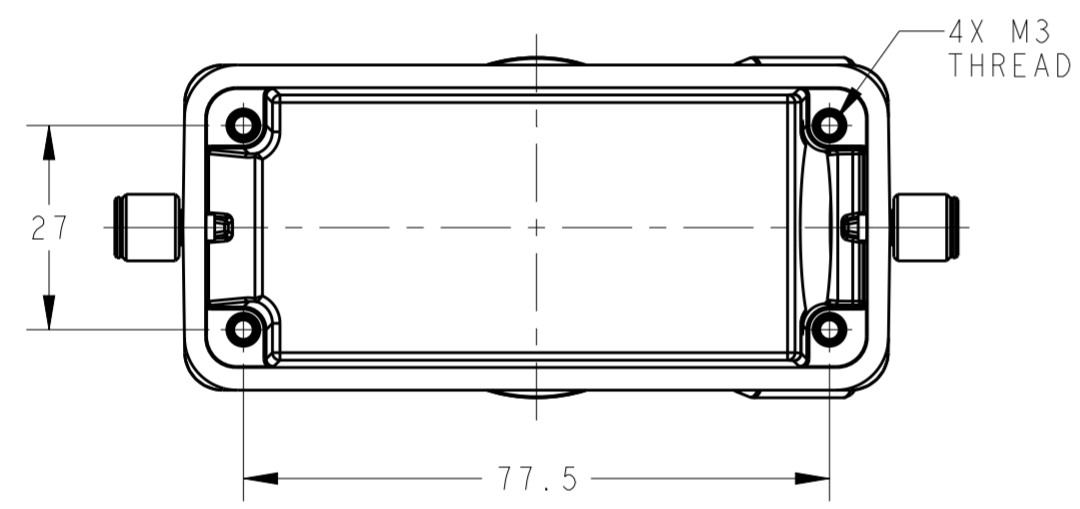
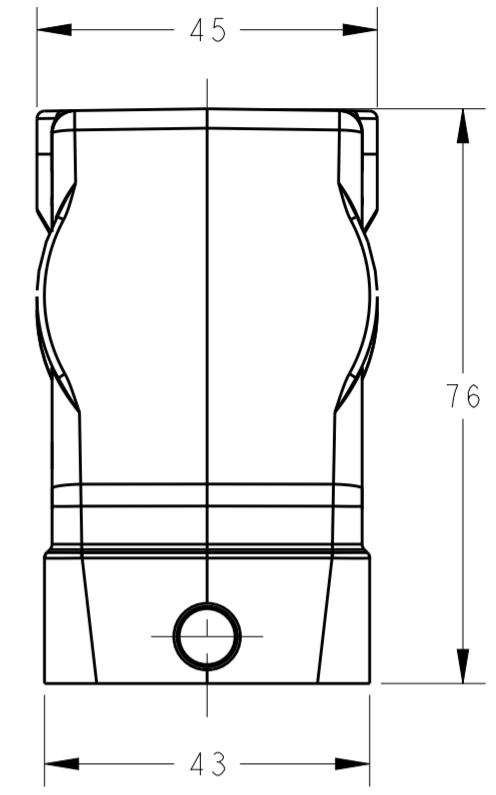
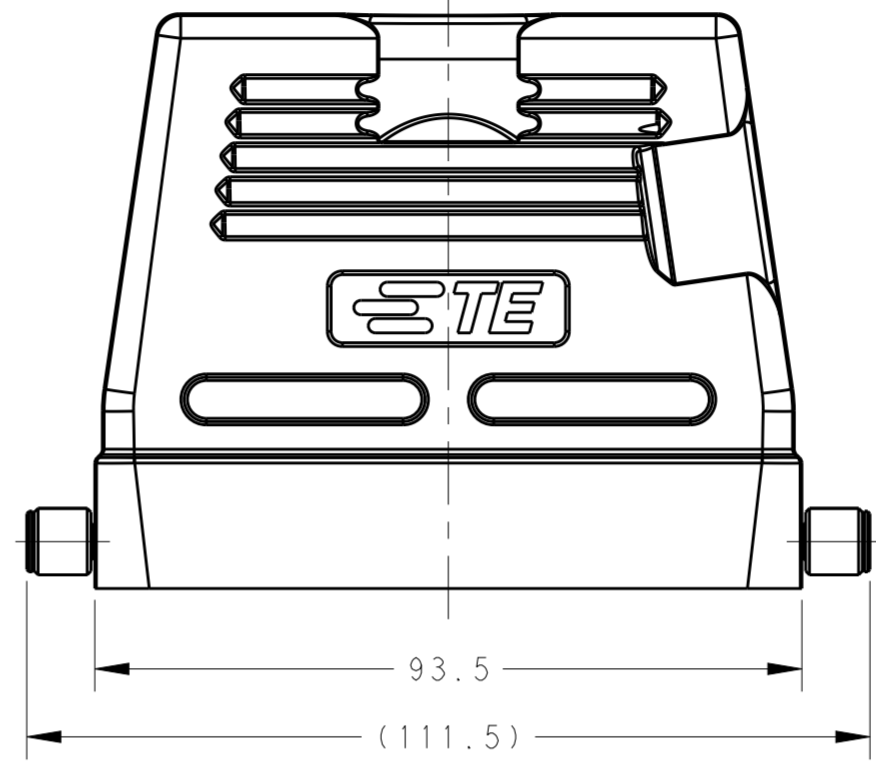
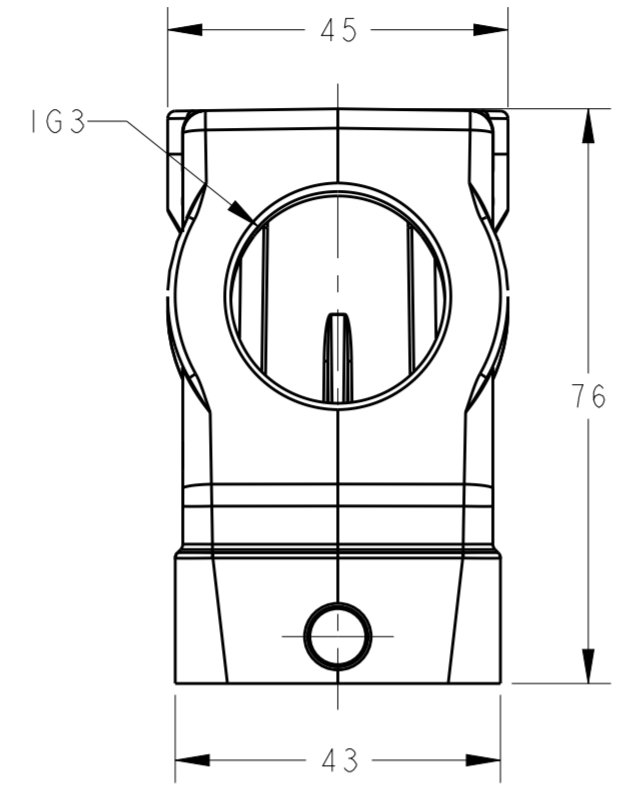
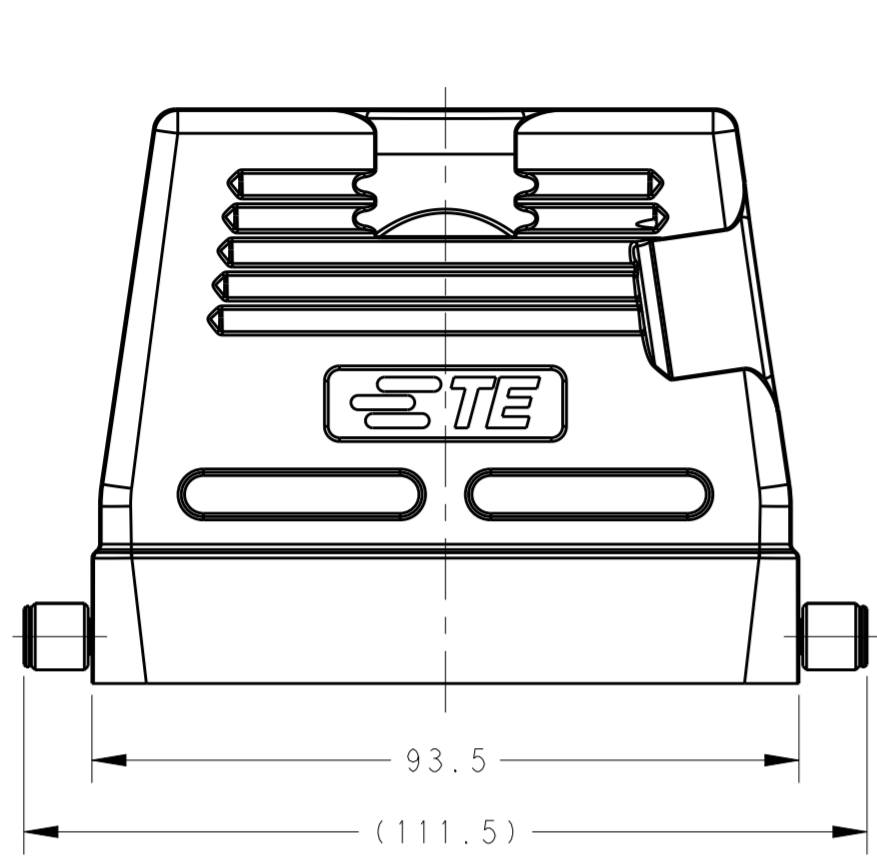
注释:
 I. 技术参数:
 上壳材料: 铝合金
 表面处理: 粉末涂层, 灰色
 工作温度: -40-+125°C
 防护等级: IP65(配合)

| | | | | |
|-----------------|--------|-----------------|------|------|
| T1310160120-000 | TYPE 1 | H16B-TS-RO-M20 | M20 | - |
| T1310160121-000 | | H16B-TS-RO-PG21 | PG21 | - |
| T1310160125-000 | | H16B-TS-RO-M25 | M25 | - |
| T1310160132-000 | | H16B-TS-RO-M32 | M32 | - |
| T1320160121-000 | TYPE 2 | H16B-TG-RO-PG21 | - | PG21 |
| T1320160125-000 | | H16B-TG-RO-M25 | - | M25 |
| T1320160132-000 | | H16B-TG-RO-M32 | - | M32 |
| PART NUMBER | TYPE | DESCRIPTION | IG1 | IG2 |

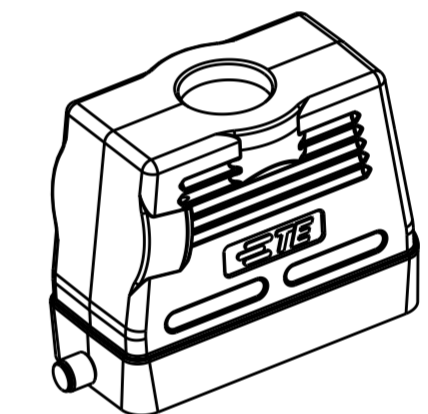
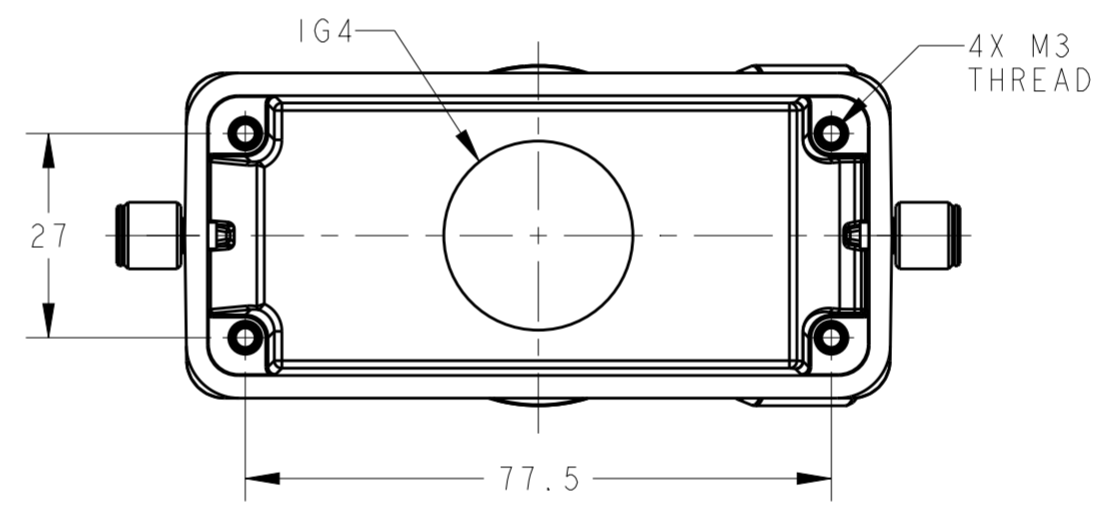
| | | | | |
|--|--|-----------------------------|---|--|
| THIS DRAWING IS A CONTROLLED DOCUMENT. | | DWN David Wang 25MAY2015 | STE TE Connectivity | |
| | | CHK Chris Wang 25MAY2015 | | |
| | | APVD Xiang Xu 25MAY2015 | NAME H16B-TS/TG/TSH/TGH-RO-M/PG | |
| DIMENSIONS: mm | | PRODUCT SPEC 108-137013 | SIZE CAGE CODE DRAWING NO RESTRICTED TO | |
| TOLERANCES UNLESS OTHERWISE SPECIFIED: | | APPLICATION SPEC 114-137013 | A200779 C-T13X01601XX000 | |
| MATERIAL | | WEIGHT | SCALE 1:1 SHEET 1 OF 2 REV A | |
| | | Customer Drawing | | |

THIS DRAWING IS UNPUBLISHED. RELEASED FOR PUBLICATION 20
 © COPYRIGHT 20 BY - ALL RIGHTS RESERVED.

| REVISIONS | | | | |
|-----------|-----|-------------|------|------|
| P | LTR | DESCRIPTION | DATE | APVD |
| - | | SEE SHEET 1 | - | - |
| | | | | |
| | | | | |



SCALE 1:2



SCALE 1:2

TYPE 3: HIGH CONSTRUCTION, SIDE ENTRY

TYPE 4: HIGH CONSTRUCTION, TOP ENTRY

NOTES:
SEE SHEET 1

| | | | | |
|-----------------|--------|--------------------|------|--------|
| T1330160121-000 | TYPE 3 | H16B-TSH-RO-PG21 | PG21 | - |
| T1330160125-000 | | H16B-TSH-RO-M25 | M25 | - |
| T1330160129-000 | | H16B-TSH-RO-PG29 | PG29 | - |
| T1330160132-000 | | H16B-TSH-RO-M32 | M32 | - |
| T1330160140-000 | | H16B-TSH-RO-M40 | M40 | - |
| T1340160121-000 | TYPE 4 | H16B-TGH-RO-PG21 | - | PG21 |
| T1340160125-000 | | H16B-TGH-RO-M25 | - | M25 |
| T1340160129-000 | | H16B-TGH-RO-PG29 | - | PG29 |
| T1340160132-000 | | H16B-TGH-RO-M32 | - | M32 |
| T1340160140-000 | | H16B-TGH-RO-M40 | - | M40 |
| T1340167134-000 | | H16B-TGH-RO-NPT3/4 | - | NPT3/4 |
| PART NUMBER | TYPE | DESCRIPTION | IG3 | IG4 |

| | | | | |
|--|--|-----------------------------|---|--|
| THIS DRAWING IS A CONTROLLED DOCUMENT. | | DWN David Wang 25MAY2015 | STE TE Connectivity | |
| | | CHK Chris Wang 25MAY2015 | | |
| | | APVD Xiang Xu 25MAY2015 | NAME H16B-TS/TG/TSH/TGH-RO-M/PG | |
| DIMENSIONS: mm | | PRODUCT SPEC 108-137013 | SIZE CAGE CODE DRAWING NO RESTRICTED TO | |
| TOLERANCES UNLESS OTHERWISE SPECIFIED: | | APPLICATION SPEC 114-137013 | A200779 C-T13X01601XX000 | |
| MATERIAL | | WEIGHT | SCALE 1:1 SHEET 2 OF 2 REV A | |
| | | Customer Drawing | | |

Mouser Electronics

Authorized Distributor

Click to View Pricing, Inventory, Delivery & Lifecycle Information:

[TE Connectivity:](#)

[T1310160125-000](#)