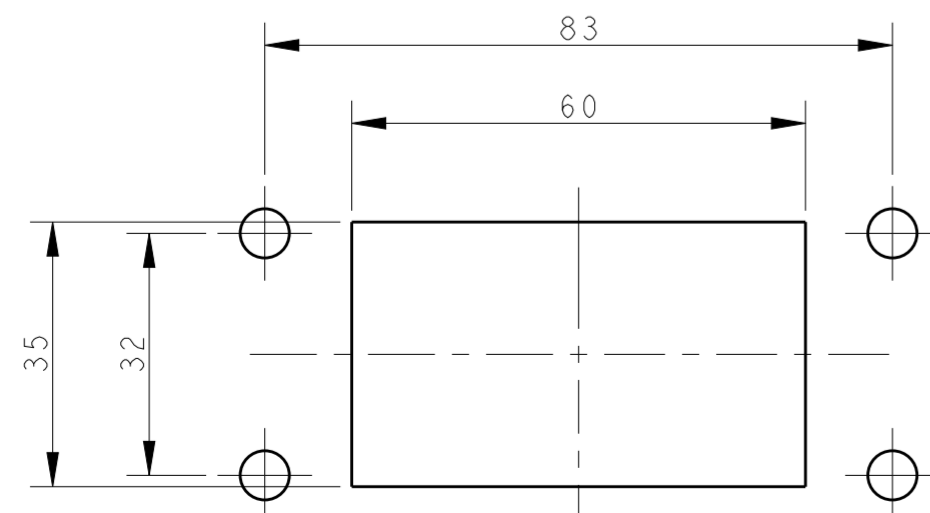
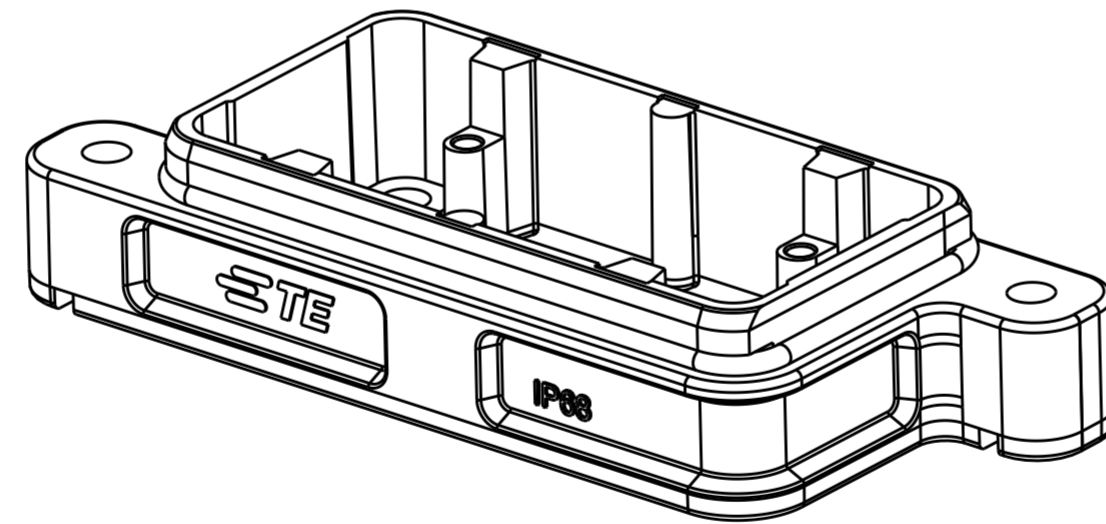
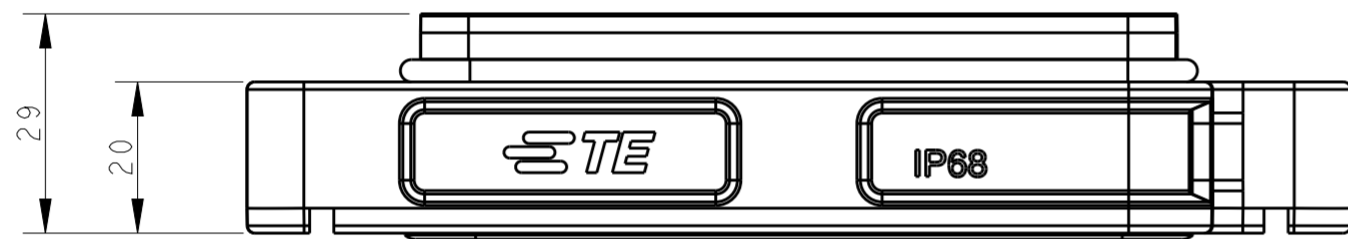
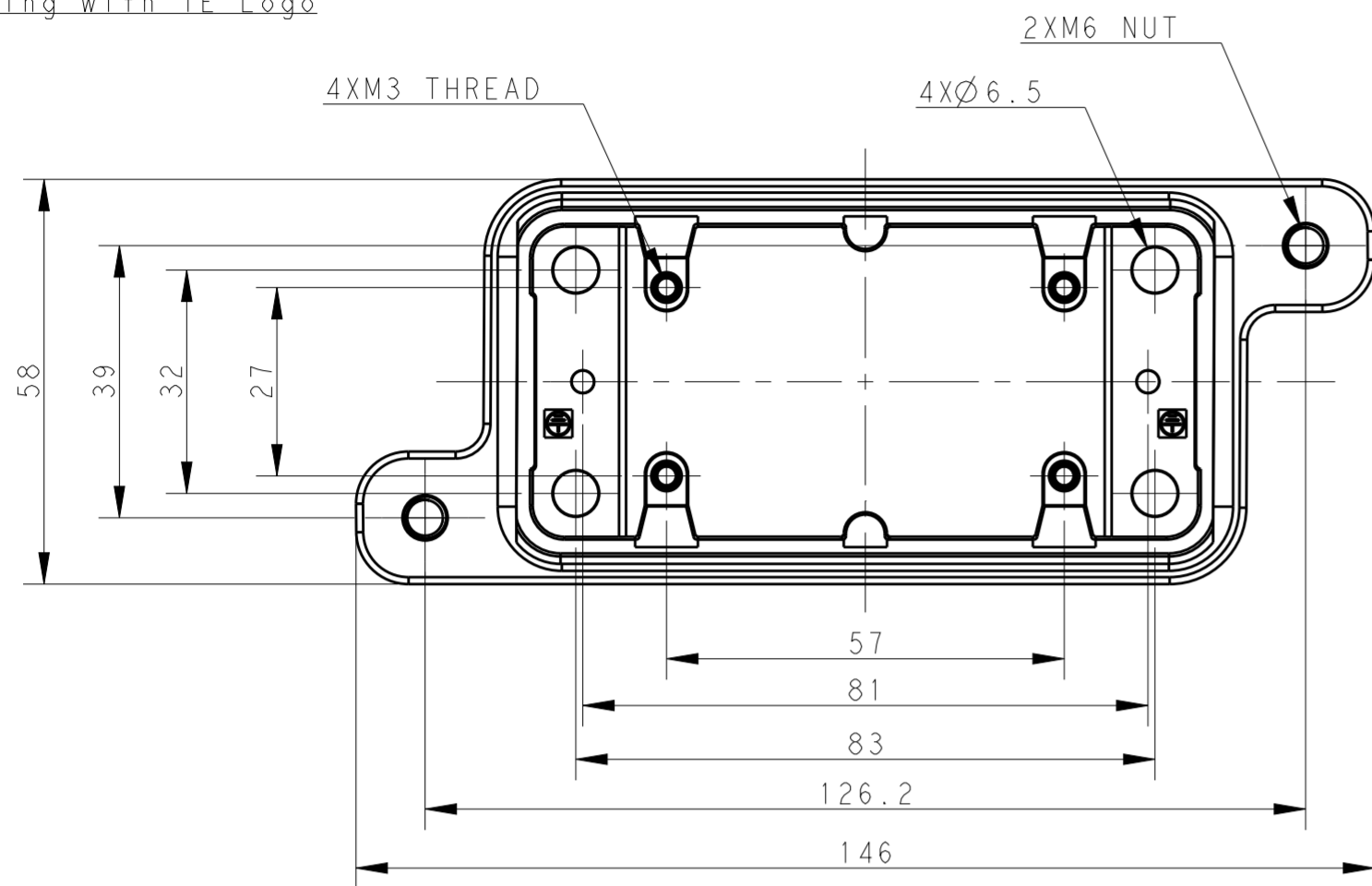


THIS DRAWING IS UNPUBLISHED. RELEASED FOR PUBLICATION 20
 © COPYRIGHT 20 BY - ALL RIGHTS RESERVED.

TYPE 1

Housing with TE Logo

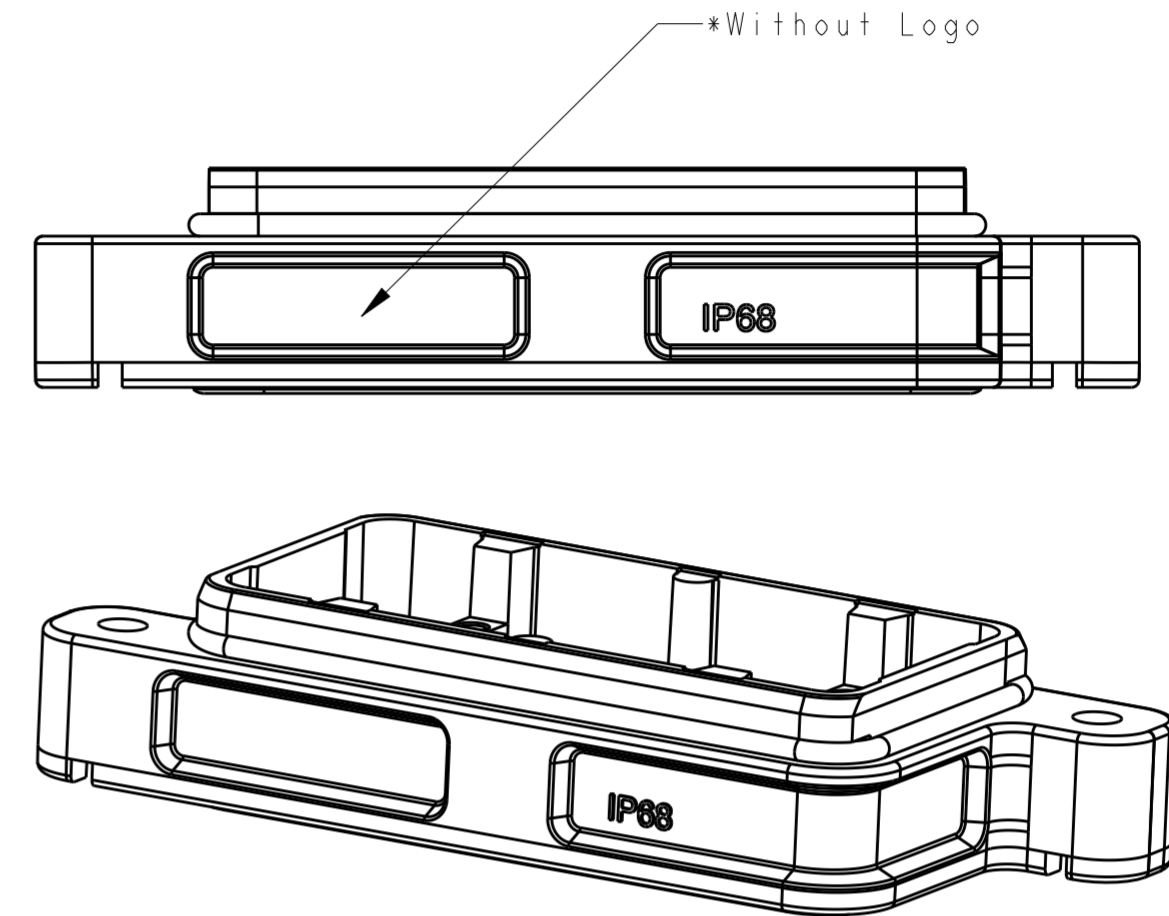


Panel Cut Out

TYPE 2

Housing without Logo

REVISIONS				
P	LTR	DESCRIPTION	DATE	APVD
A		INITIAL RELEASE	10JUN2015	GY CW



All dimension is same as TYPE 1, except those defined in this TYPE

NOTES:
 1. TECHNICAL CHARACTERISTICS:
 HOUSING MATERIAL: DIE CAST ALUMINIUM ALLOY
 SURFACE TREATMENT: SEE TABLE
 OPERATION TEMPERATURE: -40°C~+125°C
 DEGREE OF PROTECTION: IP68 (MATED)

注释
 1. 技术参数：
 壳体材料： 铝合金
 表面处理： 见表格
 工作温度： -40°C~+125°C
 防护等级： IP68（配合）

PART NUMBER	SURFACE TREATMEN	DESCRIPTION	TYPE
T1930100000-100	POWDER COATED BLACK	H10BPR-AG	TYPE 2
T1930102000-000	POWDER COATED GRAY	H10BPR-AG	TYPE 1
T1930101000-000	POWDER COATED SILVER WHITE	H10BPR-AG	
T1930100000-000	POWDER COATED BLACK	H10BPR-AG	

THIS DRAWING IS A CONTROLLED DOCUMENT.		DWN Gino Yao 10JUN2015	STE TE Connectivity	
DIMENSIONS: mm		CHK Chris Wang 10JUN2015		
TOLERANCES UNLESS OTHERWISE SPECIFIED:		APVD Xiang Xu 10JUN2015	NAME H10BPR-AG	
0 PLC ±		PRODUCT SPEC 108-137014	SIZE A2	
1 PLC ±		APPLICATION SPEC 114-137014	CAGE CODE -	
2 PLC ±		WEIGHT -	DRAWING NO G-T193010XXXXX00	
3 PLC ±		Customer Drawing	RESTRICTED TO -	
4 PLC ±			SCALE 1:1	
ANGLES ±		SHEET 1 OF 1		
FINISH		REV A		

Mouser Electronics

Authorized Distributor

Click to View Pricing, Inventory, Delivery & Lifecycle Information:

[TE Connectivity:](#)

[T1930100000-000](#) [T1930101000-000](#) [T1930102000-000](#)