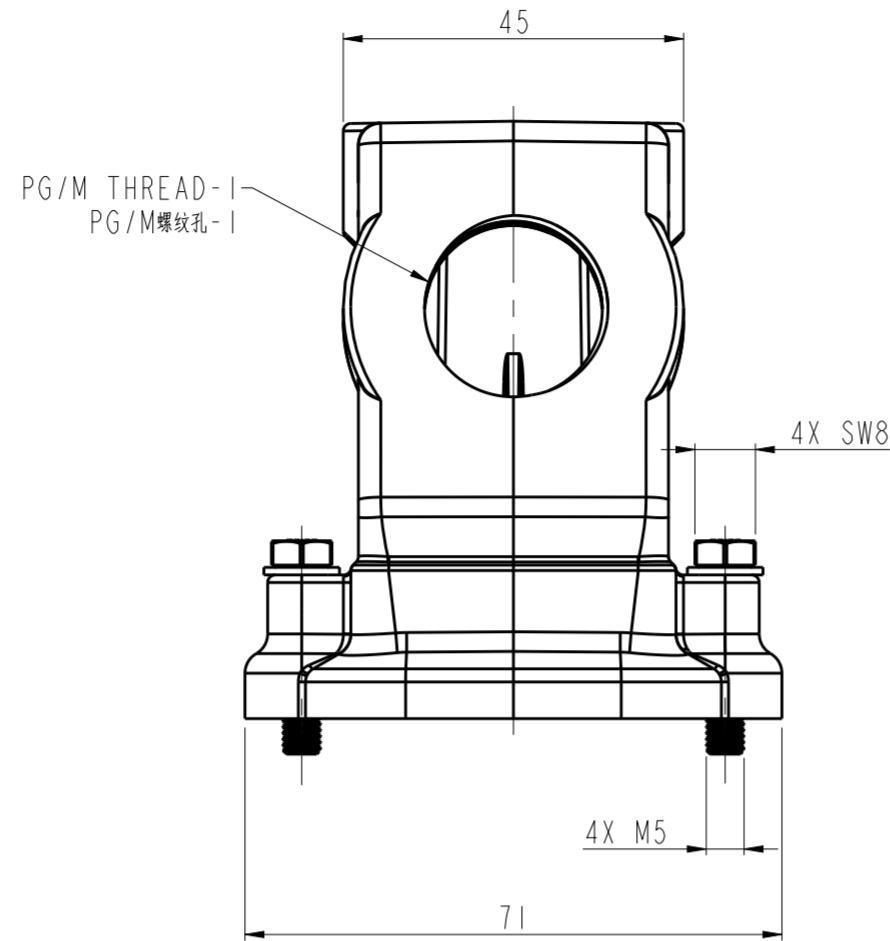
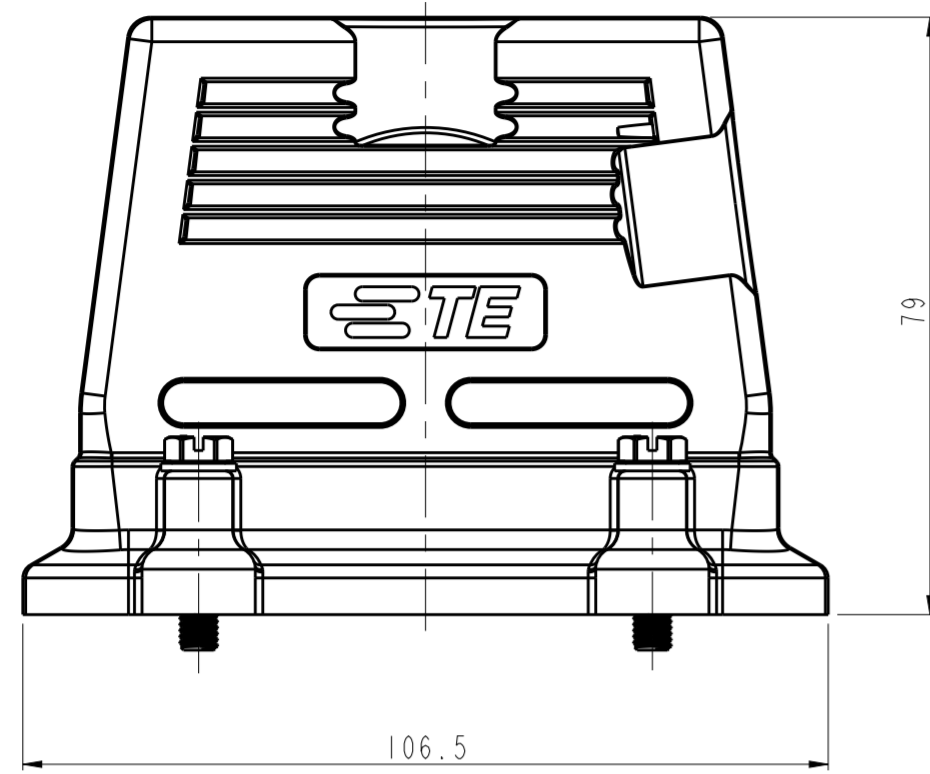


THIS DRAWING IS UNPUBLISHED. RELEASED FOR PUBLICATION 20
 © COPYRIGHT 20 BY - ALL RIGHTS RESERVED.

REVISIONS					
P	LTR	DESCRIPTION	DATE	DWN	APVD
A		INITIAL	16APR2016	QY	CW
AI		ECR-18-008950	10JUL2018	KW	CW

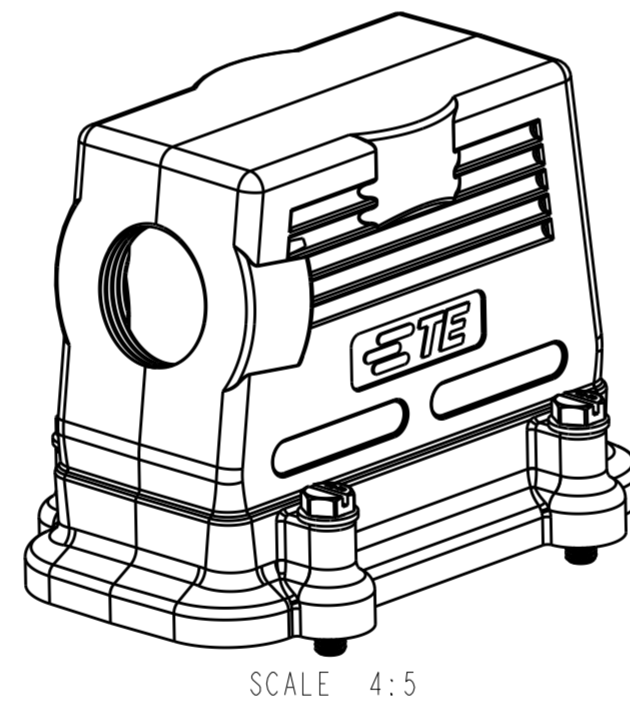
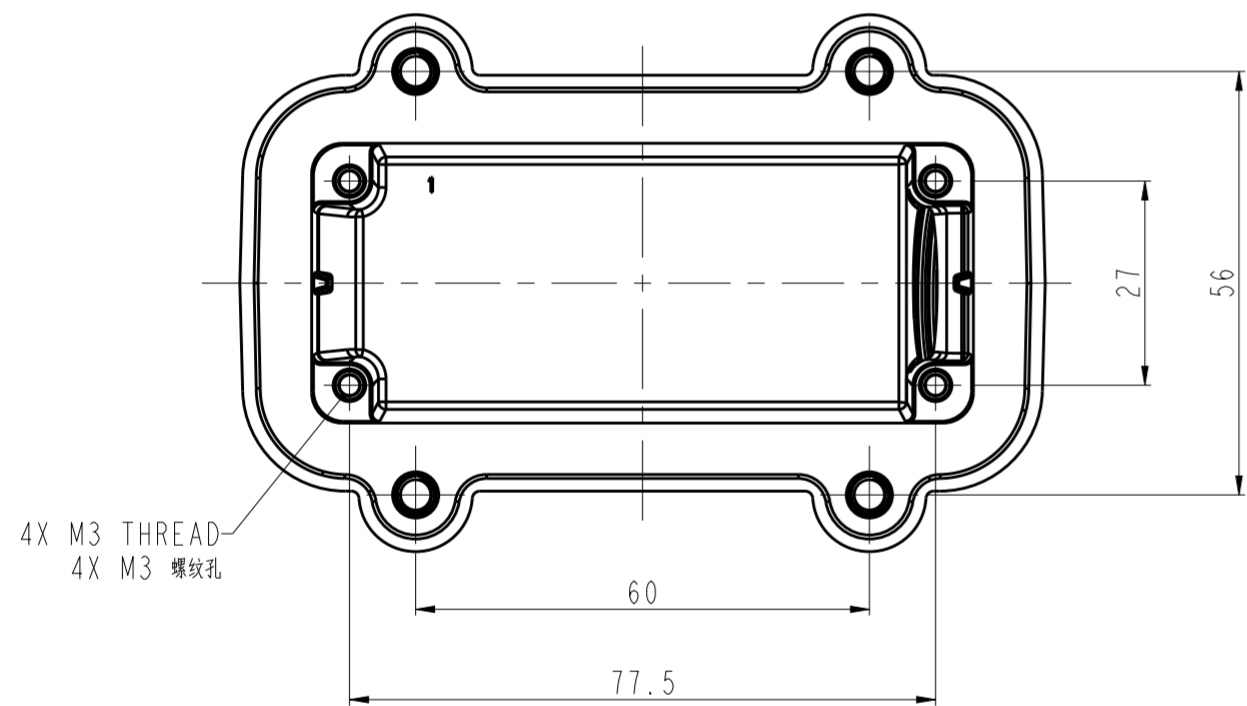


NOTES:

- 1. TECHNICAL CHARACTERISTICS:
 HOOD MATERIAL: ALUMINIUM ALLOY
 SURFACE: CONDUCTIVE PAINTING AFTER SAND BLASTING
 DEGREE OF PROTECTION: IP67 (MATED)

注释:

- 1. 技术参数:
 上壳材料: 铝合金
 表面处理: 喷砂后再喷导电漆
 防护等级: IP67(配合)



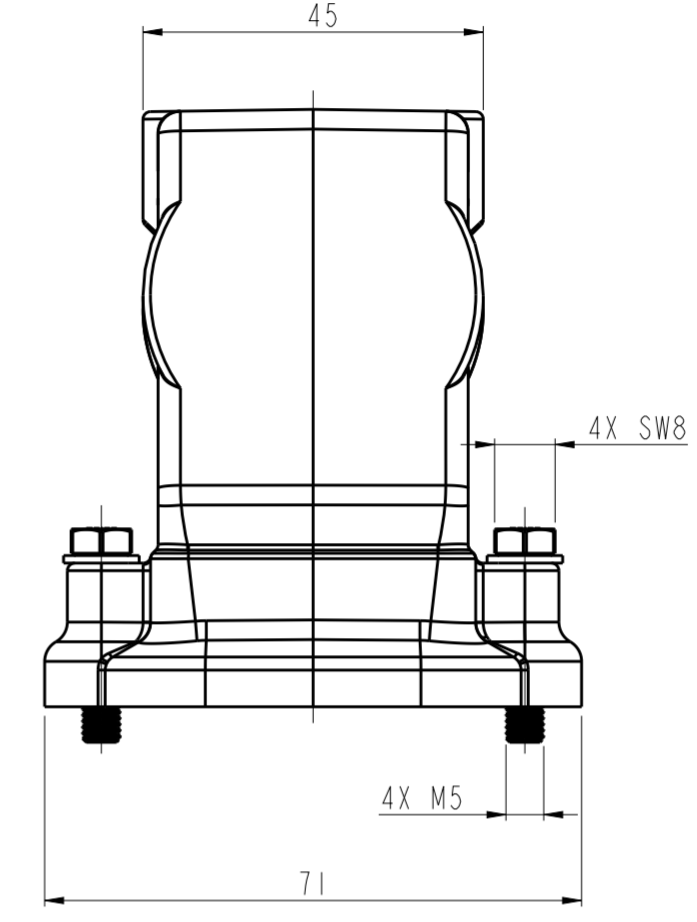
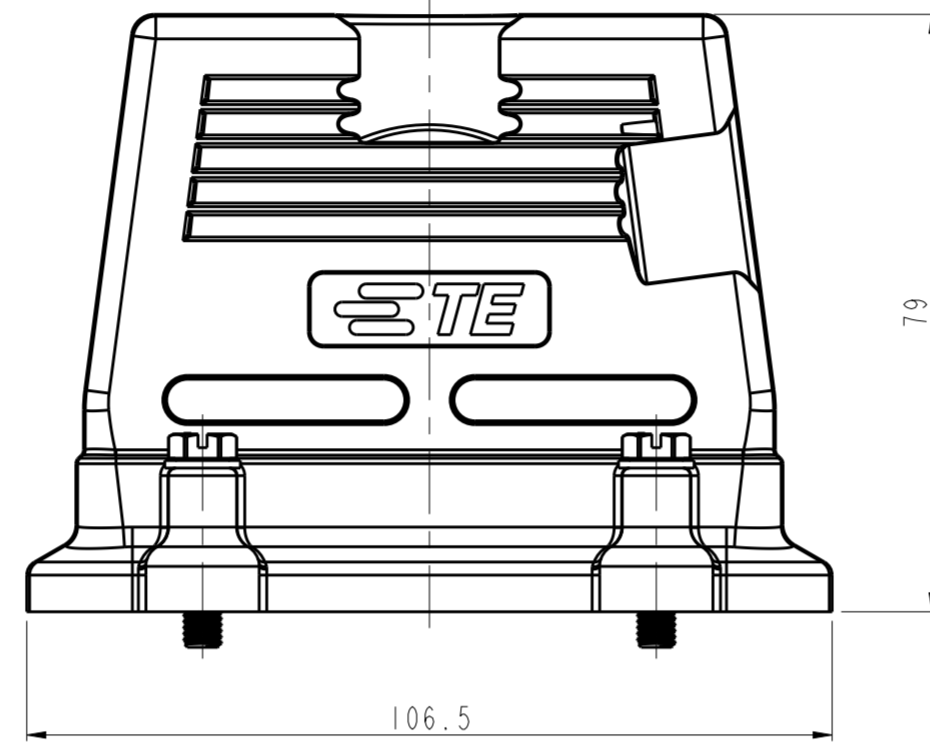
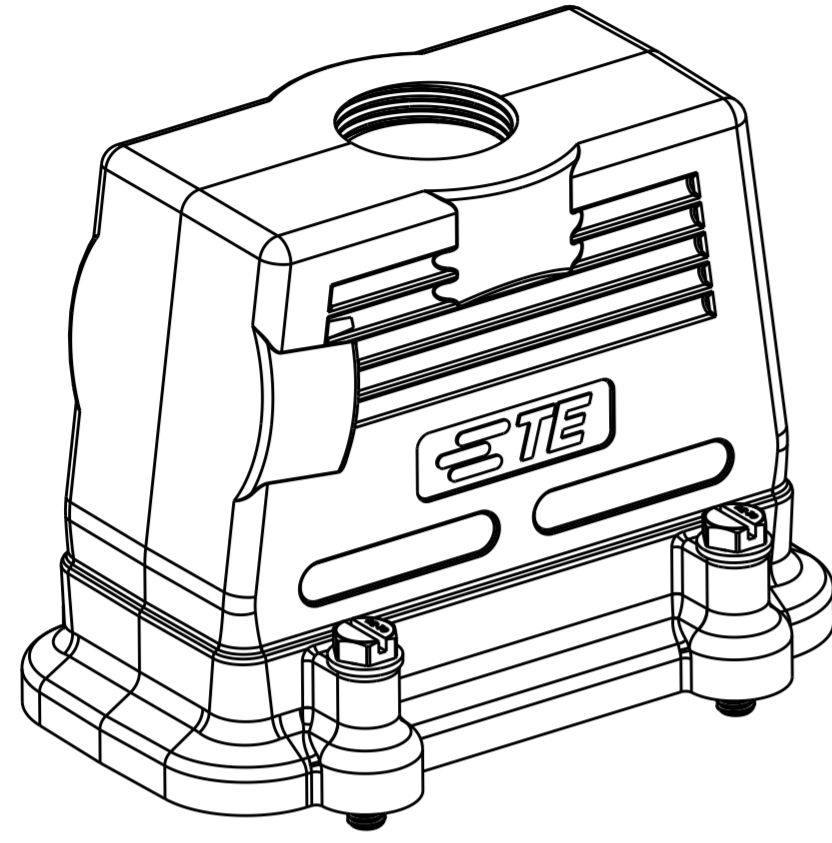
TYPE 1: H16B EMC HOOD, SIDE ENTRY, HIGH CONSTRUCTION, SCREW CONNECTION
 类型1: H16B屏蔽上壳, 侧出, 高结构, 螺丝连接

ASSEMBLY PART NUMBER 成品料号	ASSEMBLY PART DESCRIPTION 成品描述	PG/M THREAD-1 PG/M螺纹孔-1	PG/M THREAD-2 PG/M螺纹孔-2	TYPE 类型
T1130165216-000	H16B-TGH-EMCS-2PG16 H16B EMC HOOD, TOP ENTRY 2PG16, HIGH CONSTRUCTION, SCREW H16B屏蔽上壳, 顶出2PG16, 高结构, 螺丝连接	PG16	PG16	TYPE 3 类型3
T1130165221-000	H16B-TGH-EMCS-2PG21 H16B EMC HOOD, TOP ENTRY 2PG21, HIGH CONSTRUCTION, SCREW H16B屏蔽上壳, 顶出2PG21, 高结构, 螺丝连接	PG21	PG21	
T1130165220-000	H16B-TGH-EMCS-2M20 H16B EMC HOOD, TOP ENTRY 2M20, HIGH CONSTRUCTION, SCREW H16B屏蔽上壳, 顶出2M20, 高结构, 螺丝连接	M20	M20	
T1130165225-000	H16B-TGH-EMCS-2M25 H16B EMC HOOD, TOP ENTRY 2M25, HIGH CONSTRUCTION, SCREW H16B屏蔽上壳, 顶出2M25, 高结构, 螺丝连接	M25	M25	TYPE 2 类型2
T1130165121-000	H16B-TGH-EMCS-PG21 H16B EMC HOOD, TOP ENTRY PG21, HIGH CONSTRUCTION, SCREW H16B屏蔽上壳, 顶出PG21, 高结构, 螺丝连接	-	PG21	
T1130165129-000	H16B-TGH-EMCS-PG29 H16B EMC HOOD, TOP ENTRY PG29, HIGH CONSTRUCTION, SCREW H16B屏蔽上壳, 顶出PG29, 高结构, 螺丝连接	-	PG29	
T1130165125-000	H16B-TGH-EMCS-M25 H16B EMC HOOD, TOP ENTRY M25, HIGH CONSTRUCTION, SCREW H16B屏蔽上壳, 顶出M25, 高结构, 螺丝连接	-	M25	
T1130165132-000	H16B-TGH-EMCS-M32 H16B EMC HOOD, TOP ENTRY M32, HIGH CONSTRUCTION, SCREW H16B屏蔽上壳, 顶出M32, 高结构, 螺丝连接	-	M32	TYPE 1 类型1
T1130165140-000	H16B-TGH-EMCS-M40 H16B EMC HOOD, TOP ENTRY M40, HIGH CONSTRUCTION, SCREW H16B屏蔽上壳, 顶出M40, 高结构, 螺丝连接	-	M40	
T1120165121-000	H16B-TSH-EMCS-PG21 H16B EMC HOOD, SIDE ENTRY PG21, HIGH CONSTRUCTION, SCREW H16B屏蔽上壳, 侧出PG21, 高结构, 螺丝连接	PG21	-	
T1120165129-000	H16B-TSH-EMCS-PG29 H16B EMC HOOD, SIDE ENTRY PG29, HIGH CONSTRUCTION, SCREW H16B屏蔽上壳, 侧出PG29, 高结构, 螺丝连接	PG29	-	
T1120165125-000	H16B-TSH-EMCS-M25 H16B EMC HOOD, SIDE ENTRY M25, HIGH CONSTRUCTION, SCREW H16B屏蔽上壳, 侧出M25, 高结构, 螺丝连接	M25	-	
T1120165132-000	H16B-TSH-EMCS-M32 H16B EMC HOOD, SIDE ENTRY M32, HIGH CONSTRUCTION, SCREW H16B屏蔽上壳, 侧出M32, 高结构, 螺丝连接	M32	-	
T1120165140-000	H16B-TSH-EMCS-M40 H16B EMC HOOD, SIDE ENTRY M40, HIGH CONSTRUCTION, SCREW H16B屏蔽上壳, 侧出M40, 高结构, 螺丝连接	M40	-	

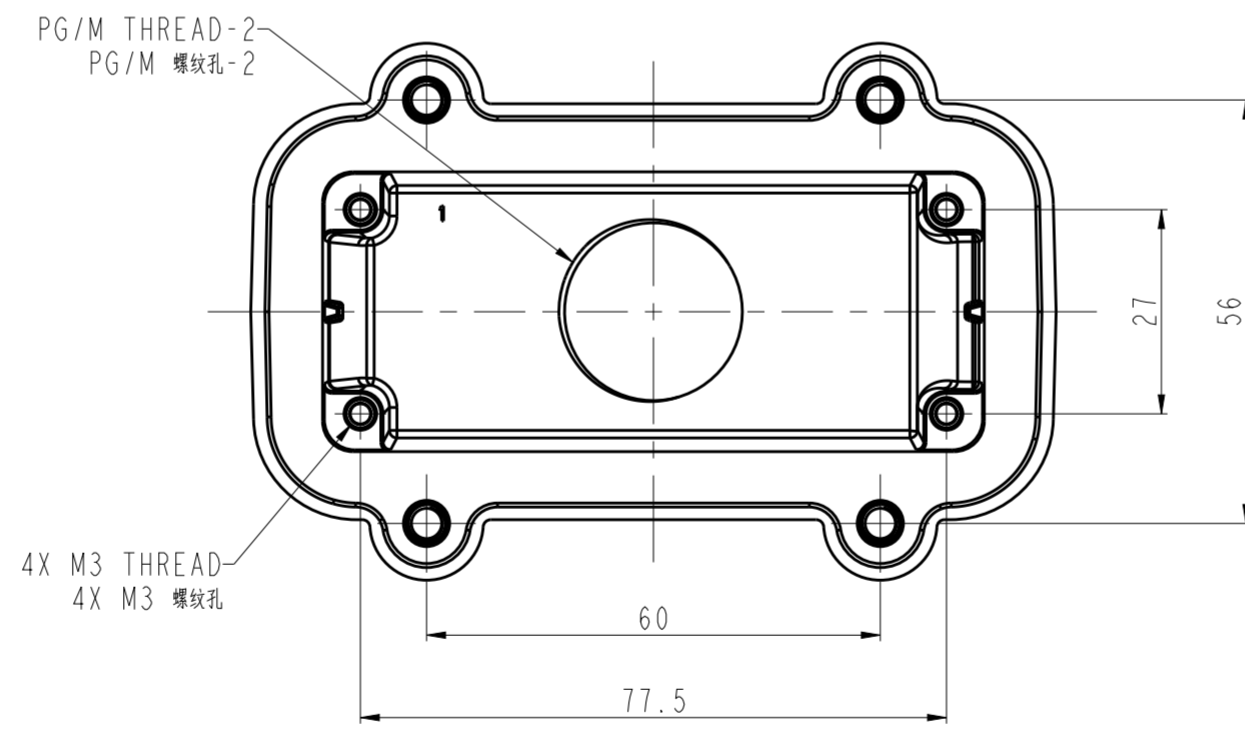
THIS DRAWING IS A CONTROLLED DOCUMENT.		DWN QIANG YUAN 16APR2016	TE Connectivity	
		CHK KYLE ZENG 16APR2016		
DIMENSIONS: mm		APVD CHRIS WANG 16APR2016	NAME H16B-TSH/TGH-EMCS-PG/M	
TOLERANCES UNLESS OTHERWISE SPECIFIED:		PRODUCT SPEC 108-137015	RESTRICTED TO	
0 PLC ±		APPLICATION SPEC 114-137015	SIZE A2	
1 PLC ±		WEIGHT -	CAGE CODE 00779	
2 PLC ±		CUSTOMER DRAWING	DRAWING NO G-T11X0165XXX000	
3 PLC ±		SCALE 1:1	SHEET 1 OF 3	
4 PLC ±			REV A1	
ANGLES ±				
FINISH				

THIS DRAWING IS UNPUBLISHED. RELEASED FOR PUBLICATION 20
 © COPYRIGHT 20 BY - ALL RIGHTS RESERVED.

REVISIONS				
P	LTR	DESCRIPTION	DATE	APVD
-		SEE SHEET 1	-	-



NOTES:
SEE SHEET 1

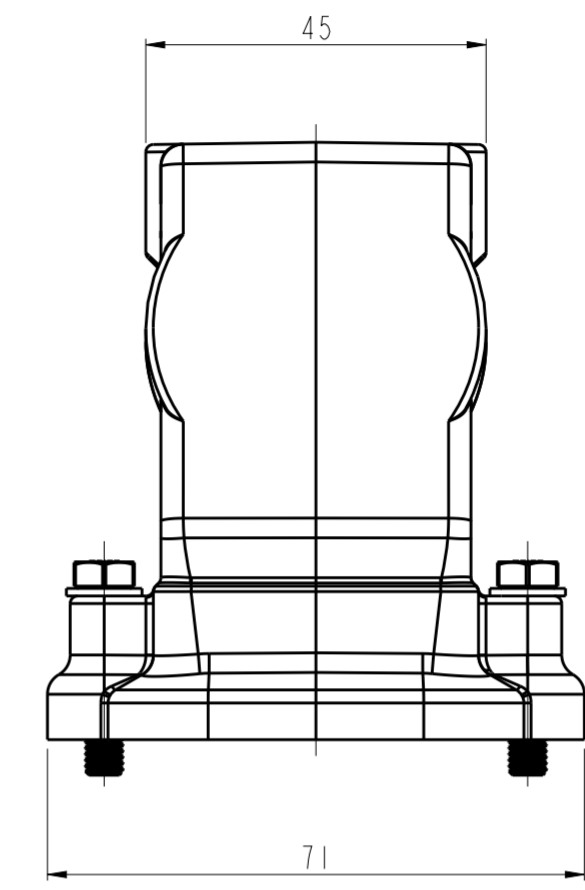
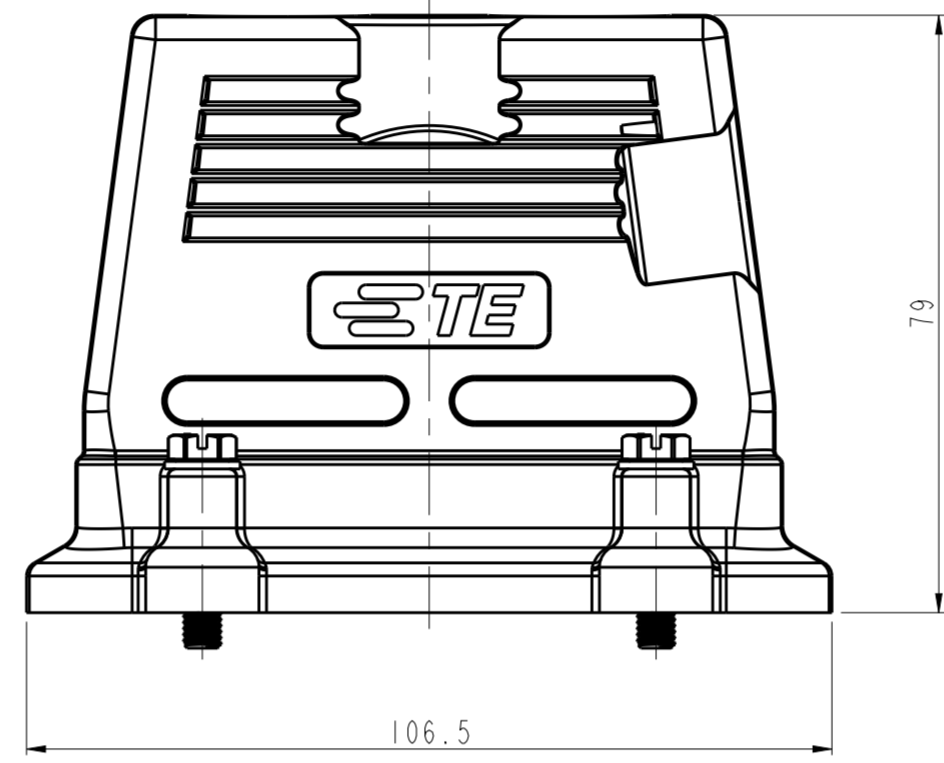
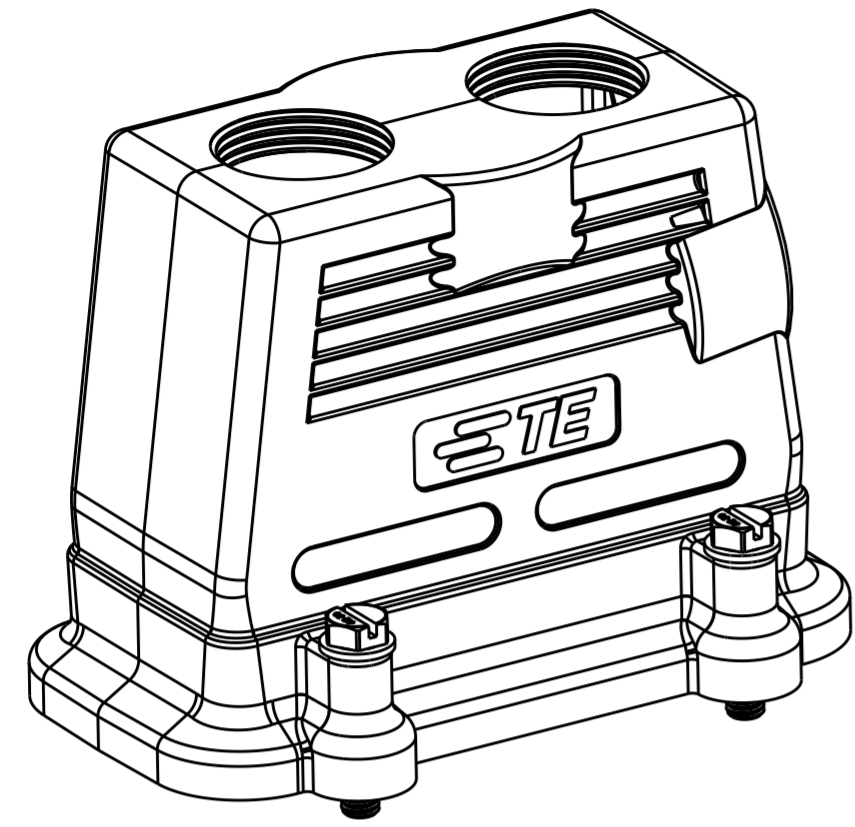


TYPE 2: H16B EMC HOOD, TOP ENTRY, HIGH CONSTRUCTION, SCREW CONNECTION
 类型2: H16B屏蔽上壳, 顶出, 高结构, 螺丝连接

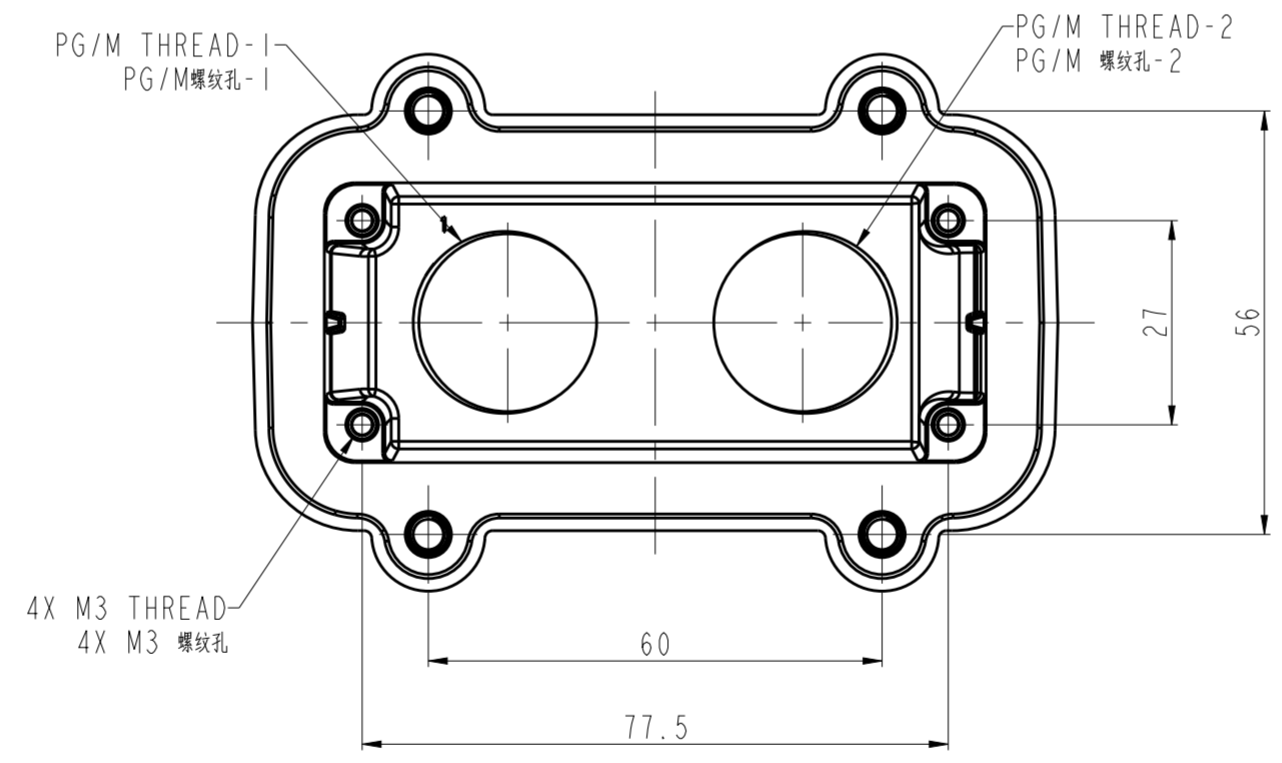
THIS DRAWING IS A CONTROLLED DOCUMENT.		DWN QIANG YUAN 16APR2016	STE TE Connectivity	
		CHK KYLE ZENG 16APR2016		
		APVD CHRIS WANG 16APR2016	NAME H16B-TSH/TGH-EMCS-PG/M	
DIMENSIONS: mm		PRODUCT SPEC 108-137015	SIZE A2	CAGE CODE 00779
TOLERANCES UNLESS OTHERWISE SPECIFIED: 0 PLC ± 1 PLC ± 2 PLC ± 3 PLC ± 4 PLC ± ANGLES ± FINISH		APPLICATION SPEC 114-137015	DRAWING NO C-T11X0165XXX000	RESTRICTED TO
MATERIAL		WEIGHT	SCALE 1:1 SHEET 2 OF 3 REV A1	
		CUSTOMER DRAWING		

THIS DRAWING IS UNPUBLISHED. RELEASED FOR PUBLICATION 20
 © COPYRIGHT 20 BY - ALL RIGHTS RESERVED.

REVISIONS				
P	LTR	DESCRIPTION	DATE	APVD
-		SEE SHEET 1	-	-



NOTES:
SEE SHEET 1



TYPE 3: H16B EMC HOOD, TOP ENTRY WITH TWO HOLE, HIGH CONSTRUCTION, SCREW CONNECTION
 类型3: H16B屏蔽上壳, 顶出2孔, 高结构, 螺丝连接

THIS DRAWING IS A CONTROLLED DOCUMENT.		DWN QIANG YUAN 16APR2016	STE TE Connectivity	
		CHK KYLE ZENG 16APR2016		
		APVD CHRIS WANG 16APR2016	NAME H16B-TSH/TGH-EMCS-PG/M	
DIMENSIONS: mm		PRODUCT SPEC 108-137015	SIZE A2	CAGE CODE 00779
TOLERANCES UNLESS OTHERWISE SPECIFIED: 0 PLC ± 1 PLC ± 2 PLC ± 3 PLC ± 4 PLC ± ANGLES ± FINISH		APPLICATION SPEC 114-137015	DRAWING NO C-T11X0165XXX000	RESTRICTED TO
MATERIAL		WEIGHT	SCALE 1:1	SHEET 3 OF 3
		CUSTOMER DRAWING	REV A1	

Mouser Electronics

Authorized Distributor

Click to View Pricing, Inventory, Delivery & Lifecycle Information:

[TE Connectivity:](#)

[T1130165132-000](#) [T1130165125-000](#) [T1120165125-000](#)