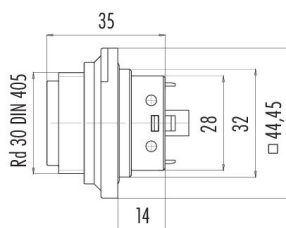


Product description	RD30 Male panel mount connector, Contacts: 4+PE, unshielded, screw clamp, IP65, ESTI+, VDE
Area	series 694
Part no.	99 0711 00 05

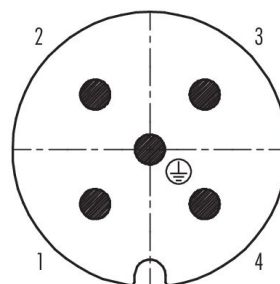
Illustration



Scale drawing



Contact arrangement (Plug-in side)



You can find the assembly instructions on the next page.

Technical data

General features

Part no.	99 0711 00 05
Connector design	Male panel mount connector
Version	Connector pin straight
Connector locking system	screw
Termination	screw clamp
Degree of protection	IP65
Cross-sectional area	2.50 mm ² / AWG 14
Temperature range from/to	-40 °C / 100 °C
Mechanical operation	> 500 Mating cycles
Weight (g)	39.47
Customs tariff number	85369010
Country of Origin	DE

Electrical parameters

Rated voltage	400 V
Rated impulse voltage	6000 V
Rated current	20.0 A
Insulation resistance	≥ 10 ¹⁰ Ω
Pollution degree	3
Overvoltage category	III
Insulating material group	III
EMC compliance	unshielded

Product data sheet

Power connectors



Product description	RD30 Male panel mount connector, Contacts: 4+PE, unshielded, screw clamp, IP65, ESTI+, VDE
Area	series 694
Part no.	99 0711 00 05

Material

Housing material	PA
Contact body material	PA (UL94 HB)
Contact material	CuZn (brass)
Contact plating	Ag (silver)
REACH SVHC	CAS 7439-92-1 (Lead)
SCIP number	560cfc9a-82f4-4fe8-a4cb-f11861c7f50c

Authorization/approvals

Approvals	ESTI+, VDE
-----------	------------

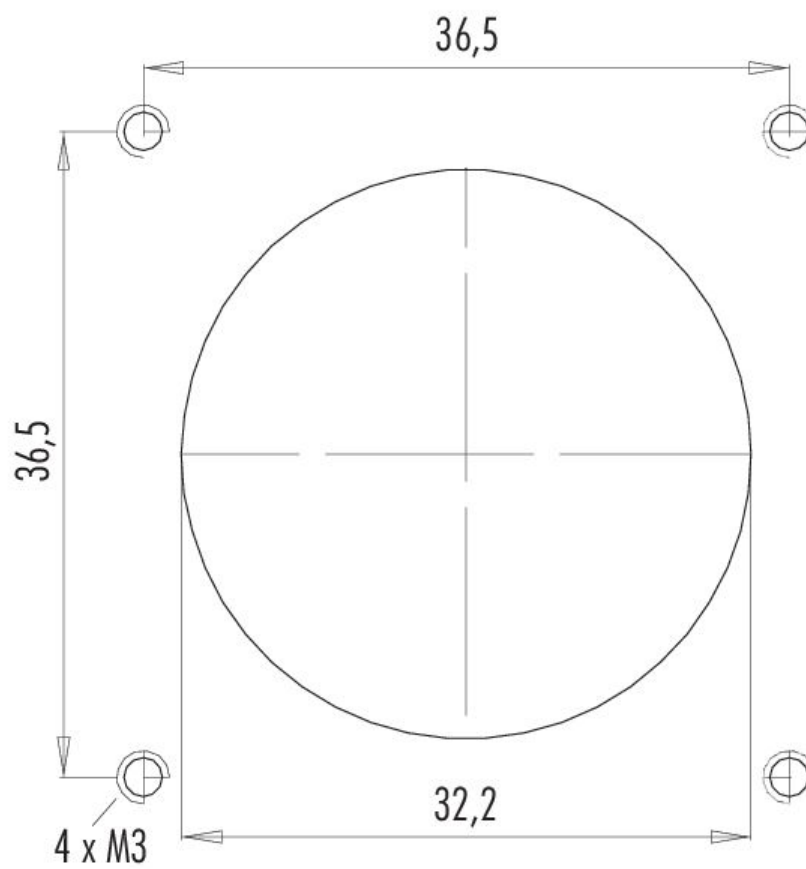
Classifications

eCl@ss 11.1	27-44-01-02
ETIM 9.0	EC002635



Product description	RD30 Male panel mount connector, Contacts: 4+PE, unshielded, screw clamp, IP65, ESTI+, VDE
Area	series 694
Part no.	99 0711 00 05

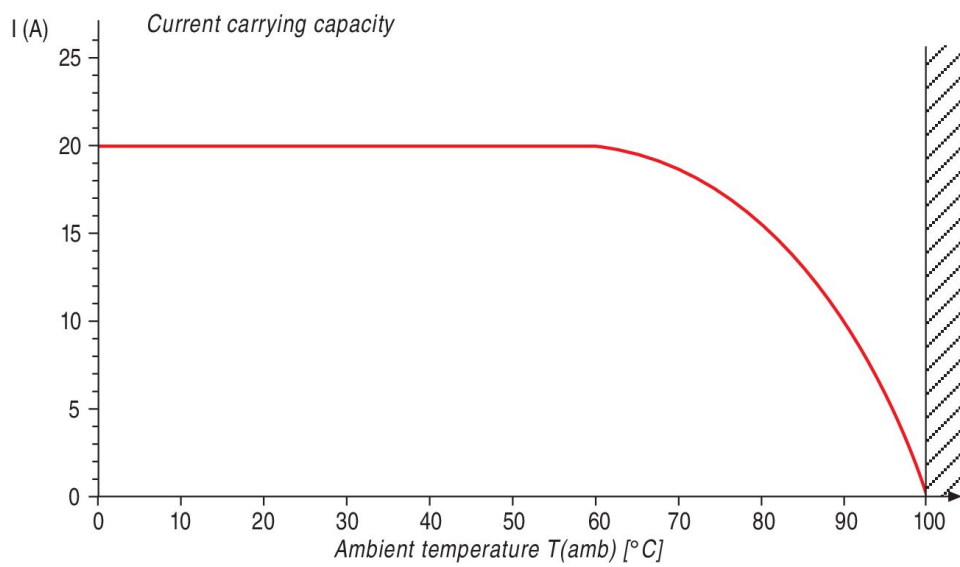
Assembly instructions / Panel cut-out



Product description **RD30 Male panel mount connector, Contacts: 4+PE, unshielded, screw clamp, IP65, ESTI+, VDE**

Area **series 694**
Part no. **99 0711 00 05**

Derating curve



Product description	RD30 Male panel mount connector, Contacts: 4+PE, unshielded, screw clamp, IP65, ESTI+, VDE
Area	series 694
Part no.	99 0711 00 05

Security notices

The connector must not be plugged or unplugged under load. Non-observance and improper use can result in personal injury.

The connectors have been developed for applications in plant engineering, control and electrical equipment construction. The user is responsible for checking whether the connectors can also be used in other areas of application.

Connectors which are used in circuits with voltages dangerous to the touch may only be installed and used by, or under the supervision of, persons with electrical engineering training, taking into account the applicable regulations and standards.

The user must take suitable safety precautions to ensure that the connector cannot be accidentally disconnected.

Plug connectors with enclosure protection IP67 and IP68 are not suitable for use under water. When used outdoors, the plug connectors must be protected separately against corrosion. For further information on the IP protection classes, please refer to the "Technical Information" download centre.

The plug connector is not suitable for mains voltages. Please observe the pollution degree and the overvoltage category. For further information, please refer to the download center "Technical Information".

To lock the cable connector to the device connector, we recommend tightening the threaded ring to 1 Nm. A suitable torque wrench is available as an accessory (order no. 07 0082 000).