

3-1415073-1 ✓ ACTIVE

SCHRACK | SCHRACK Relay Package XT

TE Internal #: 3-1415073-1

General Purpose Power Relay, Monostable, .74 VA Coil Power Rating AC, 32500 ohm Coil Resistance, SCHRACK Relay Package XT, Power Relays

[View on TE.com >](#)



Relays & Contactors > Relays > Power Relays



Relay Type: **General Purpose Power Relay**

Coil Magnetic System: **Monostable**

Coil Power Rating Class: **[.5 – 1 VA]**

Coil Power Rating AC: **.74 VA**

Coil Resistance: **32500 Ω**

Features

Product Type Features

Relay Type	General Purpose Power Relay
------------	-----------------------------

Configuration Features

Contact Arrangement	2 Form C DPDT-CO
Contact Number of Poles	2

Electrical Characteristics

Insulation Initial Dielectric Between Open Contacts	1000 Vrms
Contact Limiting Making Current	15 A
Contact Limiting Short-Time Current	8 A
Contact Limiting Continuous Current	8 A
Insulation Initial Dielectric Between Adjacent Contacts	2500 Vrms
Insulation Initial Dielectric Between Contacts & Coil	5000 Vrms
Contact Limiting Breaking Current	8 A
Coil Power Rating AC	.74 VA
Coil Resistance	32500 Ω
Coil Voltage Rating	230 VAC
Contact Current Rating	8 A
Contact Switching Voltage (Max)	400 VAC



Contact Voltage Rating	240 VAC
------------------------	---------

Body Features

Product Weight	54 g[1.905 oz]
----------------	----------------

Contact Features

Contact Plating Material	Gold
--------------------------	------

Contact Material	AgNi90/10
------------------	-----------

Termination Features

Relay Connection Type	Plug-In
-----------------------	---------

Terminal Configuration	Screw Terminals
------------------------	-----------------

Mechanical Attachment

Product Mount Type	DIN Rail
--------------------	----------

Dimensions

Insulation Clearance Between Contact & Coil	10 mm[.394 in]
---	----------------

Insulation Creepage Between Contact & Coil	10 mm[.394 in]
--	----------------

Product Width	15.8 mm[.622 in]
---------------	------------------

Product Length	69 mm[2.71 in]
----------------	----------------

Product Height	77 mm[3.03 in]
----------------	----------------

Usage Conditions

Environmental Category of Protection	RTI
--------------------------------------	-----

Environmental Ambient Temperature (Max)	70 °C[158 °F]
---	---------------

Operating Temperature Range	-20 – 70 °C
-----------------------------	-------------

Operation/Application

Current Type	AC
--------------	----

Indicator Type	LED
----------------	-----

Coil Magnetic System	Monostable
----------------------	------------

Packaging Features

Packaging Method	Carton
------------------	--------

Other

Environmental Ambient Temperature Class	50 – 70 °C
---	------------

Width Class (Mechanical)	12 – 16 mm
--------------------------	------------

	.5 – 1 VA
--	-----------

Contact Current Class

16 A

Product Compliance

[For compliance documentation, visit the product page on TE.com>](#)

EU RoHS Directive 2011/65/EU	Compliant
EU ELV Directive 2000/53/EC	Compliant
China RoHS 2 Directive MIIT Order No 32, 2016	No Restricted Materials Above Threshold
EU REACH Regulation (EC) No. 1907/2006	Current ECHA Candidate List: JUNE 2024 (241) Candidate List Declared Against: JAN 2024 (240) Does not contain REACH SVHC
Halogen Content	Not Low Halogen - contains Br or Cl > 900 ppm.
Solder Process Capability	Not applicable for solder process capability

Product Compliance Disclaimer

This information is provided based on reasonable inquiry of our suppliers and represents our current actual knowledge based on the information they provided. This information is subject to change. The part numbers that TE has identified as EU RoHS compliant have a maximum concentration of 0.1% by weight in homogenous materials for lead, hexavalent chromium, mercury, PBB, PBDE, DBP, BBP, DEHP, DIBP, and 0.01% for cadmium, or qualify for an exemption to these limits as defined in the Annexes of Directive 2011/65/EU (RoHS2). Finished electrical and electronic equipment products will be CE marked as required by Directive 2011/65/EU. Components may not be CE marked. Additionally, the part numbers that TE has identified as EU ELV compliant have a maximum concentration of 0.1% by weight in homogenous materials for lead, hexavalent chromium, and mercury, and 0.01% for cadmium, or qualify for an exemption to these limits as defined in the Annexes of Directive 2000/53/EC (ELV). Regarding the REACH Regulation, the information TE provides on SVHC in articles for this part number is based on the latest European Chemicals Agency (ECHA) 'Guidance on requirements for substances in articles' posted at this URL: <https://echa.europa.eu/guidance-documents/guidance-on-reach>

Compatible Parts



Also in the Series | [SCHRACK Relay Package XT](#)



Power Relays(13)

Customers Also Bought



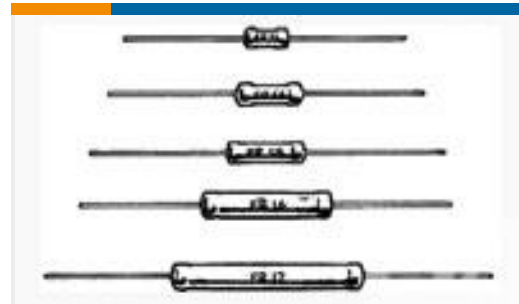
TE Part #5749699-7
68 50SR CABLE RCPT KIT



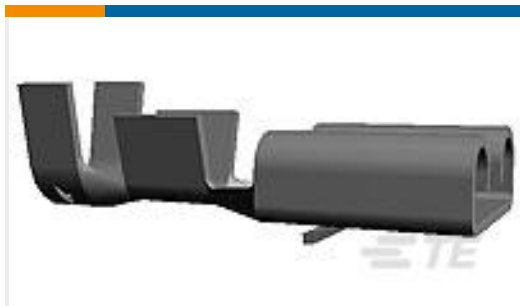
TE Part #1745000-3
8POS MQS REC



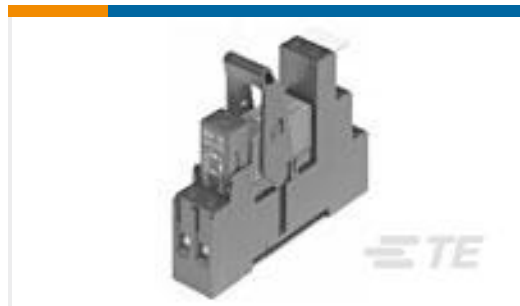
TE Part #5749195-2
68 50SR KIT,ST,UK



TE Part #8-1623746-1
ER74 R22 10% AMMO PK



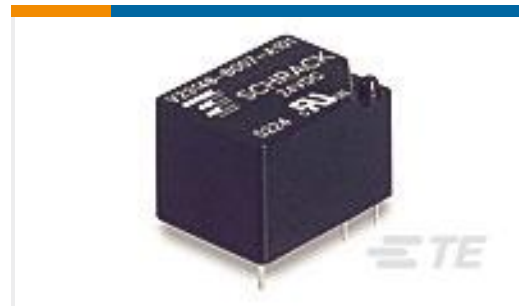
TE Part #5-160446-5
FF 250 REC 1.0-2.5MM2 TBRR



TE Part #2-1415074-1
RT4S5T30



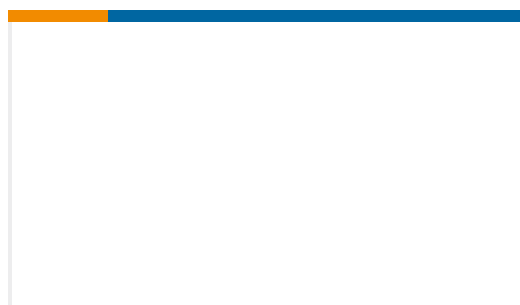
TE Part #1-1393030-4
SSRD-240D25 = PANEL MOUNT,25A,
240VAC



TE Part #2-1393203-4
V23148-A0107-A101



TE Part #3-1649329-1
RT444012



TE Part #2-1991136-0
GROMMET STRIP SIZE 3 NATURAL

Documents

CAD Files

Customer View Model

[ENG_CVM_CVM_3-1415073-1_A.2d_dxf.zip](#)

English

3D PDF

3D

Customer View Model

[ENG_CVM_CVM_3-1415073-1_A.3d_igs.zip](#)



English

Customer View Model

[ENG_CVM_CVM_3-1415073-1_A.3d_stp.zip](#)

English

By downloading the CAD file I accept and agree to the [Terms and Conditions](#) of use.

Datasheets & Catalog Pages

[Relay Package Package RT](#)

English

Product Specifications

[Definitions General Purpose Relays](#)

English

Agency Approvals

[UKCA_CERT_708_00005_C1](#)

English