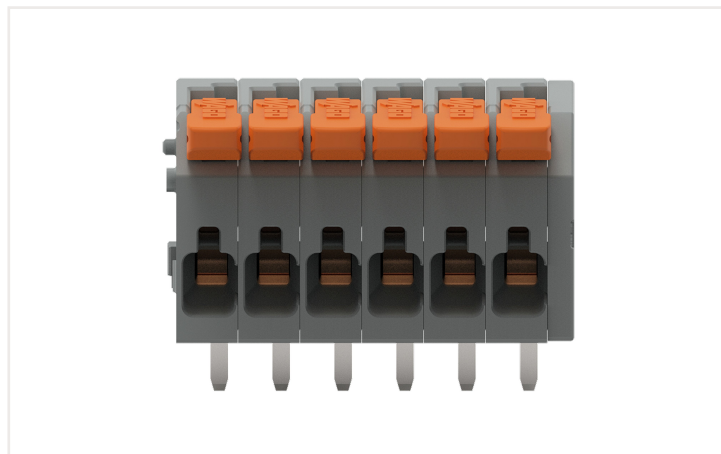



Data sheet | Item number: 2601-1106

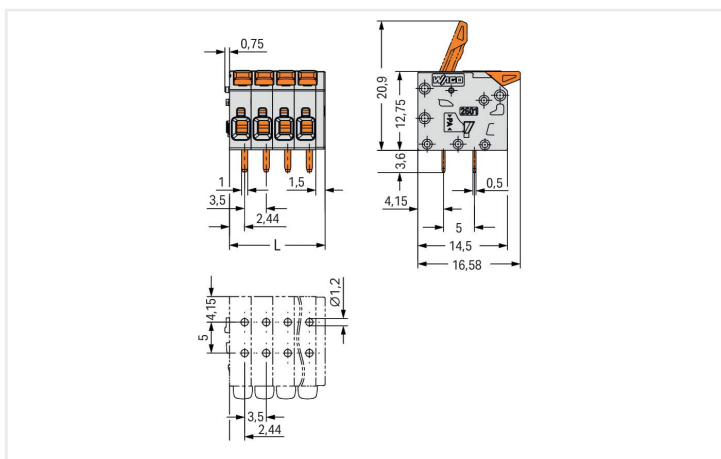
PCB terminal block; lever; 1.5 mm<sup>2</sup>; Pin spacing 3.5 mm; 6-pole; Push-in CAGE

CLAMP®; 1,50 mm<sup>2</sup>; gray

<https://www.wago.com/2601-1106>



Color:  gray



Dimensions in mm

L = (pole no. - 1) x pin spacing + 5 mm

- PCB terminal blocks with Push-in CAGE CLAMP® connection and levers
- Push-in termination of solid and ferruled conductors
- Intuitive and tool-free operation
- Several clamping units can be held open simultaneously, simplifying the connection of multi-core cables
- Testing can be performed both parallel and perpendicular to conductor entry

## Notes

Variants:	Other pole numbers Direct marking Other colors Other versions (or variants) can be requested from WAGO Sales or configured at <a href="https://configurator.wago.com/">https://configurator.wago.com/</a> .
-----------	--

## Electrical data

Ratings per IEC/EN		Ratings per UL	
Ratings per	IEC/EN 60664-1	Approvals per	UL 1059
Nominal voltage (III/3)	160 V	Rated voltage UL (Use Group B)	300 V
Rated impulse voltage (III/3)	2.5 kV	Rated current UL (Use Group B)	10 A
Rated voltage (III/2)	160 V	Rated voltage UL (Use Group D)	300 V
Rated impulse voltage (III/2)	2.5 kV	Rated current UL (Use Group D)	10 A
Nominal voltage (II/2)	320 V		
Rated surge voltage (II/2)	2.5 kV		
Rated current	17.5 A		
Legend (ratings)	(III / 2) $\triangleq$ Overvoltage category III / Pollution degree 2		

## Ratings per CSA

Approvals per	CSA
Rated voltage CSA (Use Group B)	300 V
Rated current CSA (Use Group B)	10 A
Rated voltage CSA (Use Group D)	300 V
Rated current CSA (Use Group D)	10 A

## Connection data

Connection points	6	<b>Connection 1</b>	
Total number of potentials	6	Connection technology	Push-in CAGE CLAMP®
Number of connection types	1	Actuation type	Lever
Number of levels	1	Solid conductor	0.14 ... 1.5 mm <sup>2</sup> / 26 ... 16 AWG
		Solid conductor; push-in termination	0.5 ... 1.5 mm <sup>2</sup> / 20 ... 16 AWG
		Fine-stranded conductor	0.2 ... 1.5 mm <sup>2</sup> / 24 ... 16 AWG
		Fine-stranded conductor; with insulated ferrule	0.25 ... 0.75 mm <sup>2</sup>
		Fine-stranded conductor; with uninsulated ferrule	0.25 ... 1.5 mm <sup>2</sup>
		Note (conductor cross-section)	For conductors (26 AWG) that are not rigid enough, the clamping unit must be opened using a lever.
		Strip length	8 ... 9 mm / 0.31 ... 0.35 inches
		Conductor connection direction to PCB	0°
		Pole number	6

### Physical data

Pin spacing	3.5 mm / 0.138 inches
Width	22.5 mm / 0.886 inches
Height	16.35 mm / 0.644 inches
Height from the surface	12.75 mm / 0.502 inches
Depth	16.58 mm / 0.653 inches
Solder pin length	3.6 mm
Solder pin dimensions	1 x 0.5 mm
Drilled hole diameter with tolerance	1.2 <sup>(+0.1)</sup> mm

### PCB contact

PCB contact	THT
Solder pin arrangement	over the entire terminal strip (in-line)
Number of solder pins per potential	2

### Material Data

Note (material data)	<a href="#">Information on material specifications can be found here</a>
Color	gray
Material group	I
Insulation material	Polyamide (PA66)
Flammability class per UL94	V0
Clamping spring material	Chrome-nickel spring steel (CrNi)
Contact material	Electrolytic copper (E <sub>Cu</sub> )
Contact plating	Tin
Fire load	0.067 MJ
Actuator color	orange
Weight	4.7 g

### Environmental requirements

Limit temperature range	-60 ... +105 °C
Processing temperature	-35 ... +60 °C
Continuous operating temperature	-60 ... +105 °C

### Commercial data

ETIM 8.0	EC002643
PU (SPU)	80 pcs
Country of origin	PL
GTIN	4066966298314
Customs tariff number	85369010000

## Approvals and certificates

### General approvals



Approval	Standard	Certificate name
CSA CSA Group	C22.2	80120532

## Downloads

### Environmental Product Compliance

#### Compliance Search

Environmental Product  
Compliance 2601-1106



## Documentation

### Additional Information

Technical Section

03.04.2019

pdf  
1949.09 KB



## CAD/CAE-Data

### CAD data

2D/3D Models  
2601-1106

