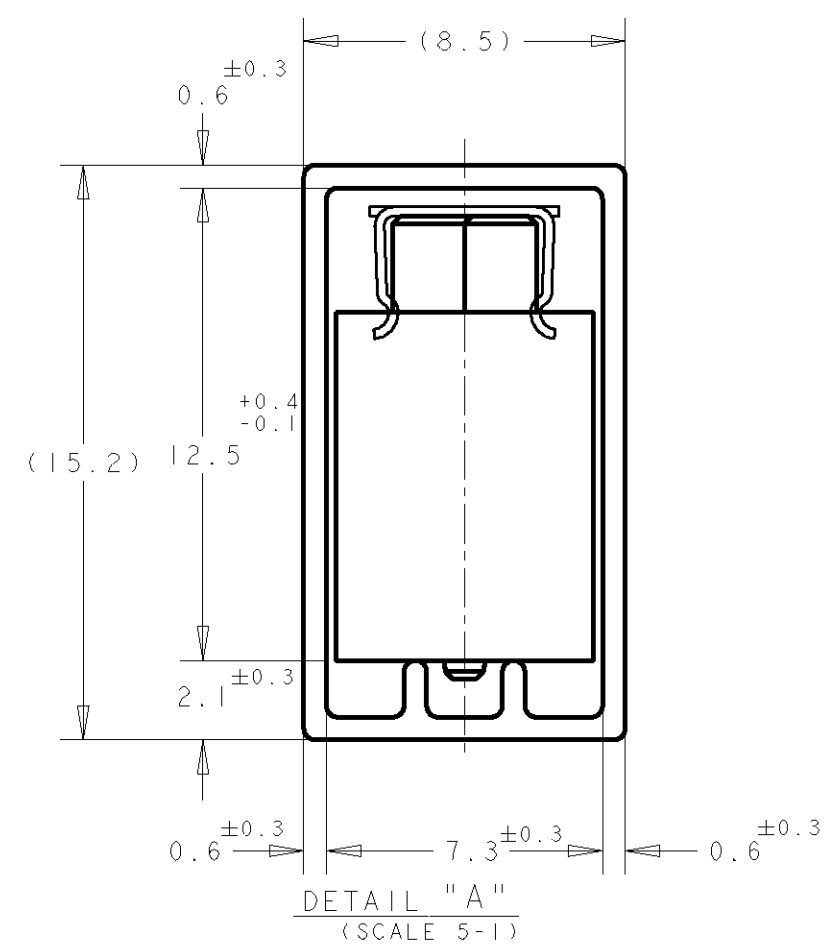
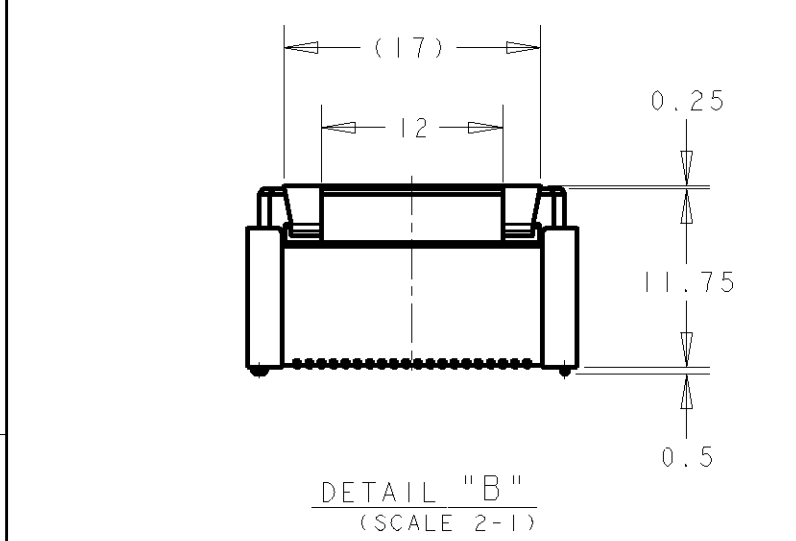
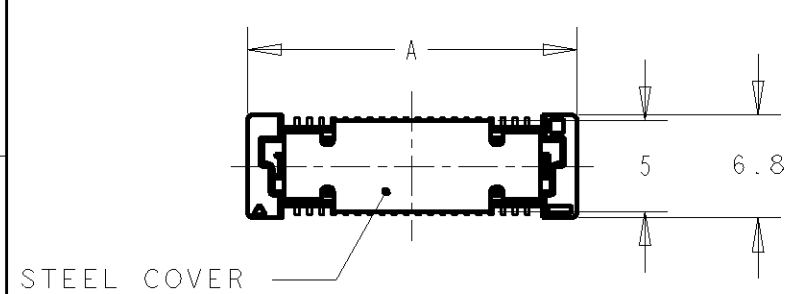
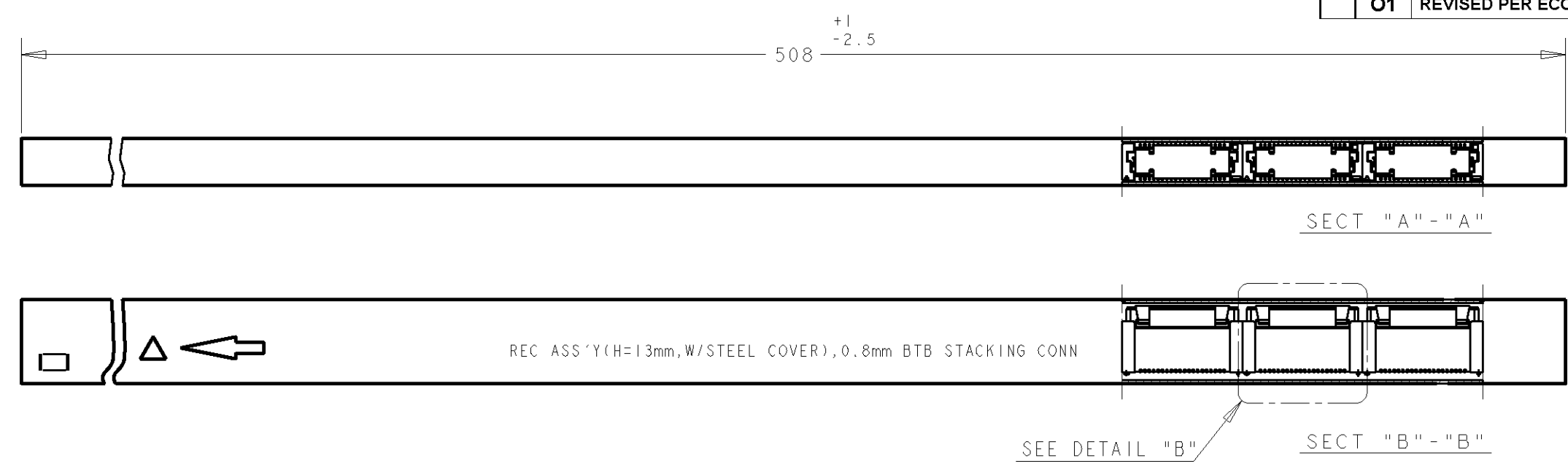


THIS DRAWING IS UNPUBLISHED. RELEASED FOR PUBLICATION .19 .
 © COPYRIGHT 19 BY AMP INCORPORATED. ALL RIGHTS RESERVED.

LOC	DIST	REVISIONS					
DY	-	P	LTR	DESCRIPTION	DATE	DWN	APVD
		O1		REVISED PER ECO-10-000445	11JAN10	KK	AEQ



1 OBSOLETE
 1 OBSOLETE
 OBSOLETE

5	85.8	6-	-0	200	6-	-0
6	77.8	5-	-9	180	5-	-9
6	69.8	5-	-8	160	5-	0
7	61.8	5-	-6	140	5-	-6
9	53.8	5-	-5	120	5-	5
10	45.8	5-	-4	100	5-	-4
12	37.8	5-	-3	80	5-	3
16	29.8	5-	-2	60	5-	2
22	21.8	5-5179010-1		40	5-5179233-1	
QTY / TUBE	A	CONN P/N	POS.	PART NO.		

1 OBSOLETE PARTS: OBSOLETE CIS STREAMLINING PER D.RENAUD/D.SINISI

THIS DRAWING IS A CONTROLLED DOCUMENT FOR AMP INCORPORATED. IT IS SUBJECT TO CHANGE AND THE CONTROLLING ENGINEERING ORGANIZATION SHOULD BE CONTACTED FOR THE LATEST REVISION.		DWN FLORENCE TAN	03SEP04	tyco Electronics	Tyco Electronics (Singapore) Pte. Ltd.	
DIMENSIONS: mm		CHK ERIC TNG	APVD SEIFONG		NAME REC ASS'Y 13H TYPE WITH STEEL COVER (TUBE PACK) FOR FH 0.8mm PITCH B-T-B CONNECTOR	
TOLERANCES UNLESS OTHERWISE SPECIFIED: 0 PLC ±- 1 PLC ±0.20 2 PLC ±0.25 3 PLC ±0.30 4 PLC ±- ANGLES ±3°		PRODUCT SPEC -		SIZE A3	CAGE CODE 00779	DRAWING NO C-5179233
MATERIAL -		FINISH -		WEIGHT -		SCALE : SHEET OF REV O1
CUSTOMER DRAWING						