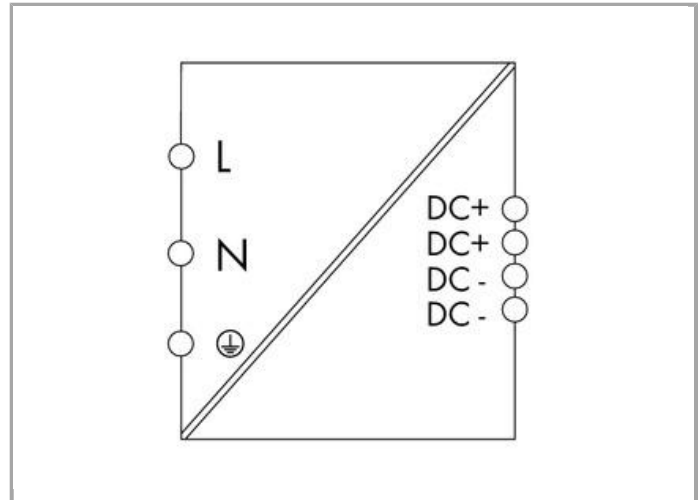


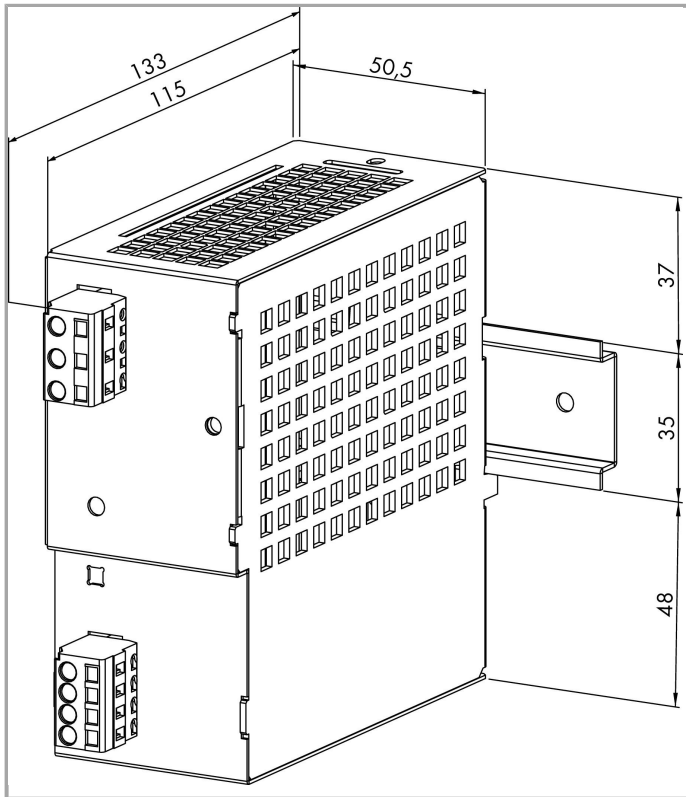
Data sheet | Item number: 787-612

Switched-mode power supply; Classic; 1-phase; 24 VDC output voltage; 2.5 A output current



www.wago.com/787-612





Item description

- Primary switch mode power supply unit
- Prepared for protection class I equipment
- Parallel operation, series connection possible
- Natural convection cooling when horizontally mounted
- Enclosed for use in switchgear cabinets
- Electrically isolated output voltage (SELV) acc. to EN 60950-1/UL 60950

Data

Technical Data

Input

Phases	1
Nominal input voltage $U_{i\text{ nom}}$	100 ... 240 VAC; 140 ... 300 VDC
Input voltage range	90 ... 264 VAC; 130 ... 300 VDC
Nominal mains frequency range	50 ... 60 Hz; 0 Hz
Input current I_i	≤ 0.6 A (230 VAC)
Discharge current	≤ 0.7 mA
Inrush current	≤ 50 A
Power factor correction (PFC)	Passive



Mains failure hold-up time	≥ 20 ms (230 VAC)
----------------------------	-------------------

Output

Nominal output voltage $U_{o\ nom}$	24 VDC (SELV)
Output voltage range	22 ... 28.8 VDC (adjustable)
Factory preset	24 VDC
Nominal output current $I_{o\ nom}$	2.5 A (24 VDC)
Adjustment accuracy	≤ 2 %
Residual ripple	≤ 100 mV (peak-to-peak)
Current limitation	$1.1 \times I_{o\ nom}$ typ.
Overload behavior	Constant current

Signaling and communication

Operation status indicator	LED green (24 V OK)
----------------------------	---------------------

Efficiency/Power losses:

Power loss P_v	7 W (230 VAC; no load)
Max. power loss $P_{v\ max.}$	8 W (90 VAC / 24 VDC; 2.5 A)
Efficiency	90 %

Fuse protection:

Internal fuse	T 1.6 A / 250 VACAC
External fuse (required)	an external DC fuse required for DC input voltage
External fuse (recommended)	Circuit breakers C10, B16

Safety and protection:

Insulation voltage (PRI-SEC)	4.242 kV DC
Isolation voltage (PRI-GND)	2.2 kV DC
Insulation voltage (SEC-GND)	0.7 kV DC
Protection class	I
Degree of protection	IP20 (per EN 60529)
Feedback voltage	≤ 30VDC
Transient protection, primary	Varistor
Overvoltage protection, secondary	Internal protective VDCe circuit ≤ 40 VDC (in case of an error)
Short circuit protection	Yes
No-load proof	Yes
Parallel operation	Yes



Series connection	Yes
-------------------	-----

Connection data

Connection type (1)	Input/Output
Connection technology	CAGE CLAMP®
WAGO terminal	WAGO 231 Series
Solid conductor	0.08 ... 2.5 mm ² / 28 ... 12 AWG
Fine-stranded conductor	0.08 ... 2.5 mm ² / 28 ... 12 AWG
Strip length	8 ... 9 mm / 0.31 ... 0.35 Inch

Geometrical Data

Width	51 mm / 2.008 inch
Height from upper-edge of DIN-35 rail	133 mm / 5.236 inch
Length from upper-edge of DIN-35 rail	120 mm / 4.724 inch

Mechanical data

Type of mounting	DIN-35 rail (EN 60715)
------------------	------------------------

Material Data

Fire load	4.4 MJ
Weight	612.7 g

Environmental Requirements

Surrounding air (operating) temperature	-10 ... 70 °C
Surrounding air (storage) temperature	-25 ... 85 °C
Relative humidity	30 ... 85 % (no condensation permissible)
Derating	-3 %/K (> 50 °C)
Pollution degree	2
Climatic category	3K3 (per EN 60721)

Standards and specifications

Conformity marking	CE
Standards/specifications	EN 60950-1; EN 61204-3; UL 60950; UL 508; GL

Commercial data

Country of origin	DE
GTIN	4045454435202
Customs Tariff No.	85044082900
Product Group	6 (Interface Electronics)



Downloads

Documentation

Bid Text

787-612 Stromversorgung EPSITRON	Jan 14, 2016	DOC 32.8 kB	Download
-------------------------------------	--------------	----------------	----------

Instruction Leaflet

Primary Switch Mode Power Supply EPSITRON-CLASSIC-Power 24 VDC, 2.5 A	Mar 1, 2016	PDF 248.2 kB	Download
--	-------------	-----------------	----------

Additional Information

Disposal; Electrical and electronic equipment, Packaging	Oct 15, 2018	265.8 kB	Download
--	--------------	----------	----------

smartDATA

CAD data

3D Download 787-612	URL	Download
---------------------	-----	----------

Product family

EPSITRON CLASSIC Power

EPSITRON® CLASSIC POWER: The Robust Power Supply – with Integrated TopBoost (Optional)

[Show all products from the family](#)

Subject to changes.

WAGO Kontakttechnik GmbH & Co. KG
Hansastr. 27
32423 Minden
Phone: +49571 887-0 | Fax: +49571 887-169
Email: info.de@wago.com | Web: www.wago.com

Do you have any questions about our products?
We are always happy to take your call at +49 (571) 887-44222.