

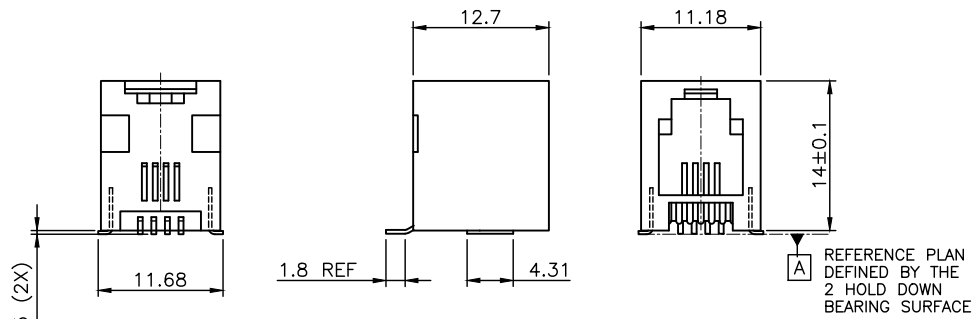
PRODUCT NUMBER
73306-XXXLF

PLATING OPTION
1= GXT 0.76 μm
3= GOLD 0.76 μm
5= GOLD 1.27 μm

PACKAGE OPTION
1= TAPE ON REEL
2= TUBE
3= TAPE ON REEL IN PLASTIC BAG
4= DEDICATED TAPE ON REEL

TERMINAL LOADING
1= FULLY LOADED

WHEN NEEDED, SUFFIX LETTER "LF"
INDICATES THE PRODUCT IS RoHS
COMPATIBLE, SEE NOTE 4.

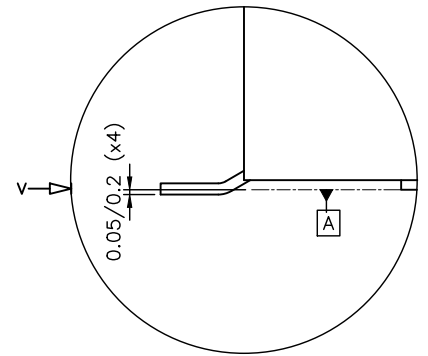


NOTES:

- 1- MATERIAL: HOUSING: HIGH TEMP. PCT, COLOUR BLACK.
TERMINAL: PHOSPHOR BRONZE.
- 2 - PLATING: CONTACT AREA: SEE TABLE.
SOLDER TAIL : 90/10 SnPb 2 μm MIN.
WHEN SUFFIX "LF" IS REQUIRED, 2 μm MIN MATTE
TIN OVER 1.27 MIN Ni IS SUPPLIED INSTEAD OF SnPb.
NO RAW EDGES EXCEPT SOLDER TAIL TIPS
- 3 - SOLDER TAILS COPLANARITY : 0.1 mm
- 4 - RoHS COMPATIBLE PRODUCT SPECIFICATIONS
 - a - PLATING:
 - "LF" MEANS THE PRODUCT IS LEAD-FREE,
2 μm MINIMUM MATTE TIN OVER 1.27 μm
MINIMUM NICKEL UNDERPLATE.
 - b - MANUFACTURING PROCESS COMPATIBILITY
 - THE HOUSING WILL WITHSTAND EXPOSURE TO
245°C PEAK TEMPERATURE FOR 30 SECONDS
MAX IN A CONVECTION, INFRA-RED OR VAPOR
PHASE OR REFLOW OVEN.
 - c - LABELING:
 - MEETS PACKAGING SPECS AS PER GS-14-920
 - d - LEGAL STATEMENT: SEE GS-47-0004
- 5 - PACKAGING FOR OPTION 3 : EACH REEL IS WRAPPED INTO A PLASTIC BAG
TO PROTECT FROM MOISTURE DURING STACKING TIME.

VIEW ACCORDING "V"

SEE NOTE 3

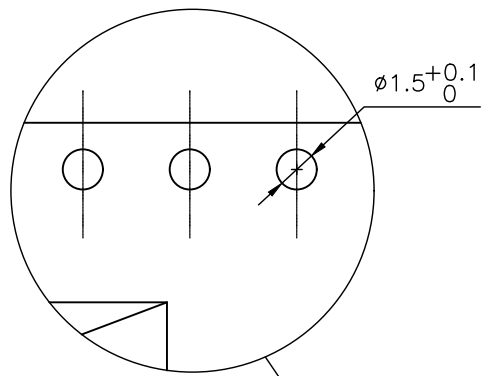


CUSTOMER COPY FOR REFERENCE ONLY

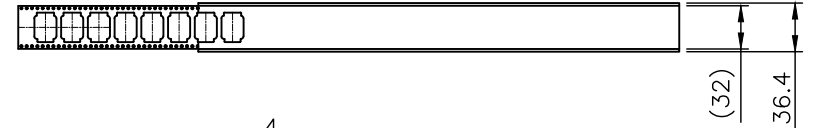
mat'l. code		surface		tolerance		projection		product family	
		ISO 1302		ISO 406 ISO 1101		mm		MOD JACK	
ltr		ecn no		dr		date		title	
H		F05-0247		DLE		05.09.12		SMT RA JACK	
J		F06-0240		DLE		06.07.18		4 POS NARROW OUTSIDE	
K		F09-0070		LSA		09.07.23		dwg no	
L		B-15798		JFA		13.09.09		sheet 1 of 3	
M		F-21888		AMA		15.09.09		size	
N		F-36035		DDE		20.02.12		73306	
P		F-45274		DDE		22.07.05		A3	
sheet		revision		P		F		type	
index		sheet		1		2		CUSTOMER Drawing	

PRODUCT NUMBER
SEE SHEET 1

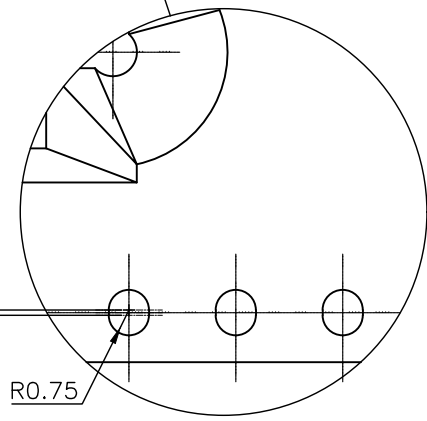
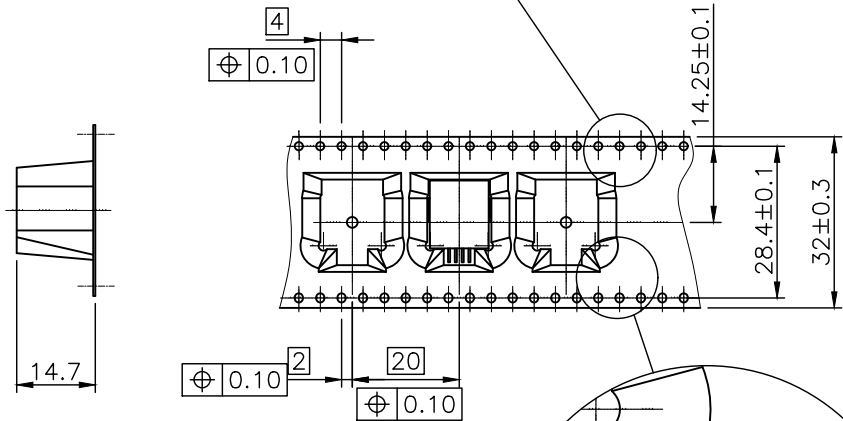
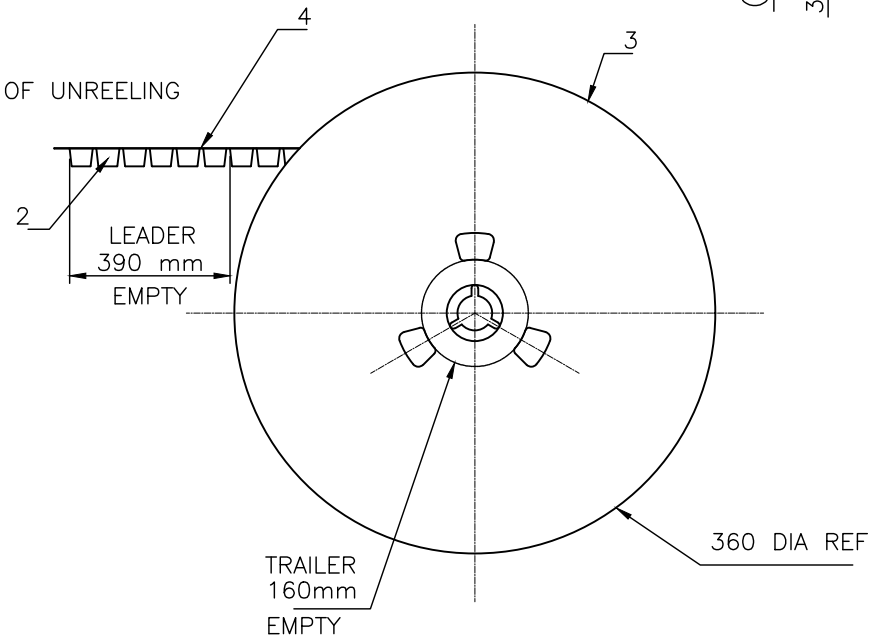
LTR	PART NAME	QTY
1	PRODUCT	280
2	TAPE	1
3	REEL	1
4	COVER TAPE	1



SCALE 1:4



DIRECTION OF UNREELING



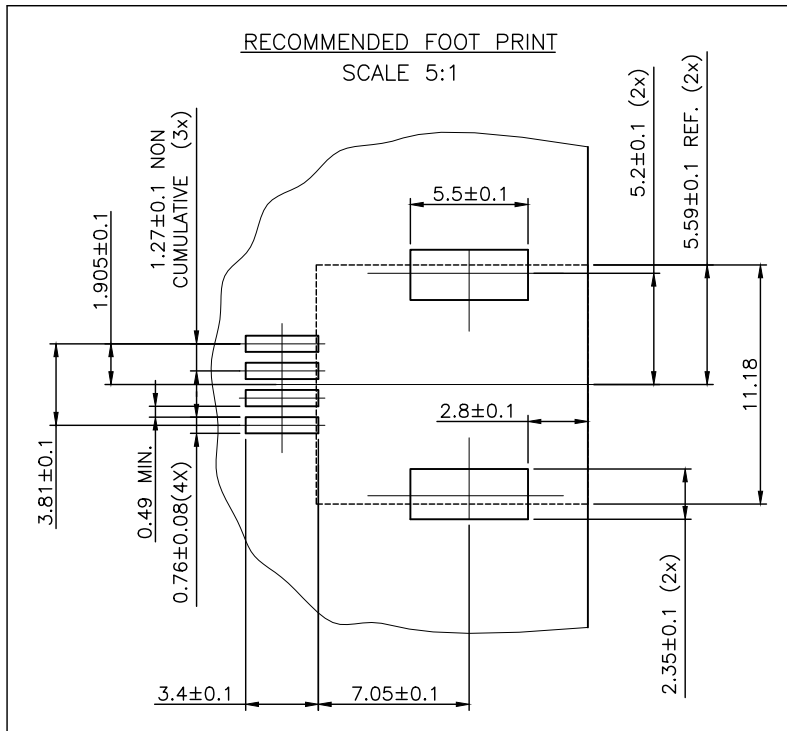
0.2±0.05

1- IN ACCORDANCE WITH EIA-481 AND IEC 296-3

CUSTOMER COPY FOR REFERENCE ONLY

mat'l. code		surface ISO 1302		tolerance ISO 406 ISO 1101		projection mm		product family MOD-JACK	
ltr		ecn no		dr		date		title	
E		F90120		DLE		99.02.01		SMT RA JACK	
F		F06.0240		DLE		06.07.18		4 POS. NARROW OUTSIDE	
				angles		linear		scale 1:1	
				dr		D LEGRAND		06.07.18	
				enr		P NIZZI		06.07.18	
				chr		D LEGRAND		06.07.18	
				app		P NIZZI		06.07.18	
sheet index		revision sheet						dwg no	
								sheet 2 of 3	
								size	
								A3	
								type	
								CUSTOMER Drawing	





A
B
C

CUSTOMER COPY FOR REFERENCE ONLY

mat'l. code		surface ISO 1302 <input checked="" type="checkbox"/>		tolerance ISO 406 <input checked="" type="checkbox"/> ISO 1101		projection 		product family MOD JACK	
ltr		ecn no		dr		date		title	
A		F04.0363		DLE		04.10.18		SMT RA JACK	
B		F06-0240		DLE		06.07.18		4 POS NARROW OUTSIDE	
				angles		linear		scale 2:1	
				±2°					
		dr		D LEGRAND		04.10.18		dwg no	
		engr		P NIZZI		04.10.18		sheet 3 of - size	
		chr		D LEGRAND		04.10.18		73306 A4	
		appd		P NZ		04.10.18		type	
								CUSTOMER Drawing	
sheet index		revision sheet							



Copyright FCI

D