

Customer Information Sheet

DRAWING No.: ZAI-9040000

IF IN DOUBT - ASK

©

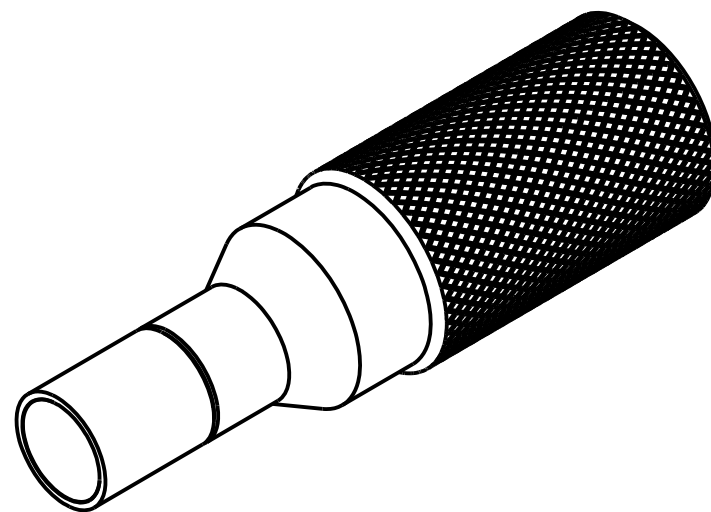
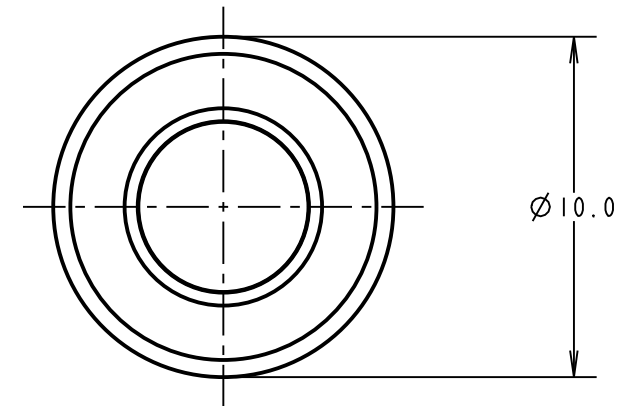
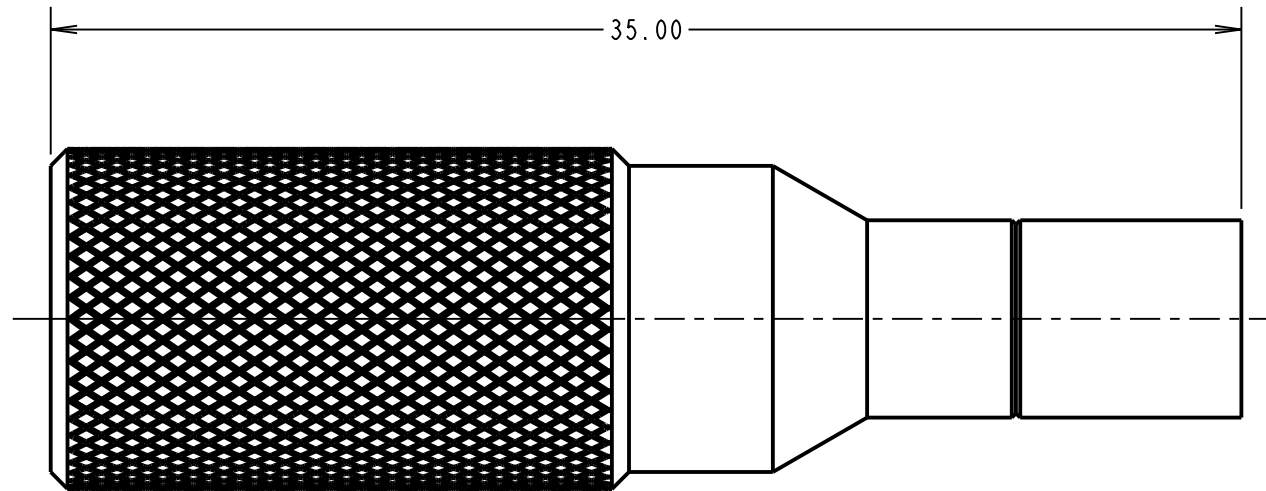
NOT TO SCALE

THIRD ANGLE PROJECTION

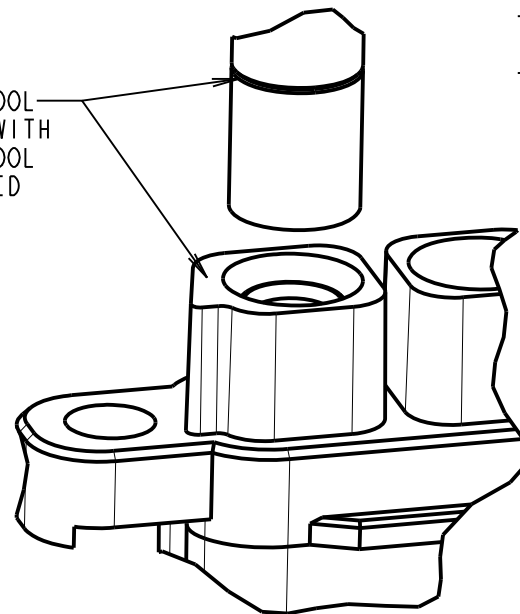
ALL DIMENSIONS IN mm

NOTES:

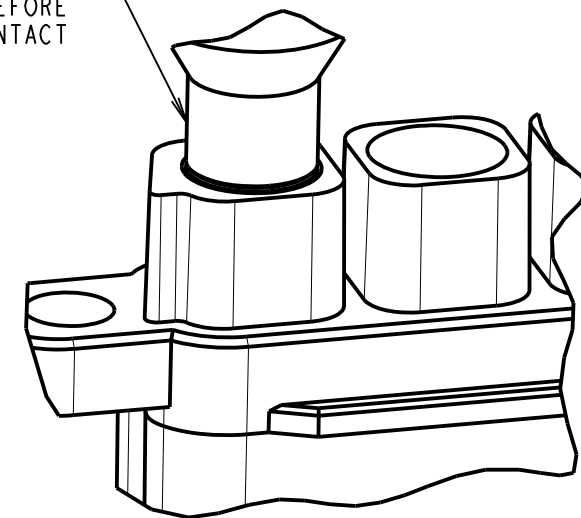
- FOR USE WITH KAI-201XX98XX ASSEMBLIES AND KAI-0400005 CONTACTS.



SCORE LINE ON TOOL WILL BE IN LINE WITH MOULDING WHEN TOOL IS FULLY INSERTED



TAKE CARE TO ENSURE TOOL IS FULLY INSERTED BEFORE TRYING TO REMOVE CONTACT



RTP	1	05.11.20	30274
NAME	ISS.	DATE	CN/CO
APPROVED: R.PORTLOCK			
CHECKED: M.RUDKIN			
DRAWN: M.RUDKIN			
CUSTOMER REF.:			
ASSEMBLY DRG:			

HARWIN

www.harwin.com
technical@harwin.com

THIS DRAWING AND ANY INFORMATION OR DESCRIPTIVE MATTER SET OUT HEREON ARE CONFIDENTIAL AND COPYRIGHT PROPERTY OF THE HARWIN GROUP AND MUST NOT BE DISCLOSED, LOANED, COPIED OR USED FOR MANUFACTURING, TENDERING OR FOR ANY OTHER PURPOSE WITHOUT THEIR WRITTEN PERMISSION.

TOLERANCES
X. = ± 1 mm
X.X = ± 0.50 mm
X.XX = ± 0.20 mm
X.XXX = ± 0.01 mm
ANGLES = $\pm 5^\circ$
UNLESS STATED

MATERIAL:
STAINLESS STEEL
FINISH:
S/AREA: mm²

TITLE: CONTACT REMOVAL TOOL FOR KONA SERIES LATCHING COLLAR

DRAWING NUMBER:
ZAI-9040000

SHT
2 OF 2