



Sensors > Vibration Sensors

Accelerometer Type: **MEMS DC**Vibration Sensor Product Type: **MEMS Accelerometer**Number of Sensing Axes: **Uniaxial**Full Scale Output Voltage: **±.1 VDC**Sensor Mount Type: **Solder**

Features

Product Type Features

Sensor Package	Embedded
Accelerometer Type	MEMS DC
Vibration Sensor Product Type	MEMS Accelerometer

Electrical Characteristics

Zero Acceleration Output	±25 mV
Excitation Voltage Range	2 – 10 VDC
Full Scale Output Voltage	±.1 VDC

Body Features

Primary Product Material	Ceramic
Product Weight	.6 g
Number of Sensing Axes	Uniaxial

Mechanical Attachment

Sensor Mount Type	Solder
-------------------	--------

Usage Conditions

Operating Temperature Range	-40 – 125 °C[-40 – 257 °F]
-----------------------------	----------------------------

Operation/Application

Output Current Type	DC
---------------------	----

Other

Non-Linearity (FSO)	±1 %
Acceleration Range (±)	6000 g
Sensitivity	.05 mV/g

Product Compliance

[For compliance documentation, visit the product page on TE.com>](#)

EU RoHS Directive 2011/65/EU	Compliant
EU ELV Directive 2000/53/EC	Compliant
China RoHS 2 Directive MIIT Order No 32, 2016	No Restricted Materials Above Threshold
EU REACH Regulation (EC) No. 1907/2006	Current ECHA Candidate List: JUNE 2024 (241) Candidate List Declared Against: JUNE 2023 (235) Does not contain REACH SVHC
Halogen Content	Not Yet Reviewed for halogen content
Solder Process Capability	Not reviewed for solder process capability

Product Compliance Disclaimer

This information is provided based on reasonable inquiry of our suppliers and represents our current actual knowledge based on the information they provided. This information is subject to change. The part numbers that TE has identified as EU RoHS compliant have a maximum concentration of 0.1% by weight in homogenous materials for lead, hexavalent chromium, mercury, PBB, PBDE, DBP, BBP, DEHP, DIBP, and 0.01% for cadmium, or qualify for an exemption to these limits as defined in the Annexes of Directive 2011/65/EU (RoHS2). Finished electrical and electronic equipment products will be CE marked as required by Directive 2011/65/EU. Components may not be CE marked. Additionally, the part numbers that TE has identified as EU ELV compliant have a maximum concentration of 0.1% by weight in homogenous materials for lead, hexavalent chromium, and mercury, and 0.01% for cadmium, or qualify for an exemption to these limits as defined in the Annexes of Directive 2000/53/EC (ELV). Regarding the REACH Regulation, the information TE provides on SVHC in articles for this part number is based on the latest European Chemicals Agency (ECHA) 'Guidance on requirements for substances in articles' posted at this URL: <https://echa.europa.eu/guidance-documents/guidance-on-reach>

Compatible Parts

 <p>TE Part # 3038-0200 3038-0200 SMT Accelerometer</p>	 <p>TE Part # 3038-0500 3038-0500 SMT Accelerometer</p>	 <p>TE Part # 3038-0050 3038-0050 SMT Accelerometer</p>	 <p>TE Part # 3038-2000 3038-2000 SMT Accelerometer</p>
--	--	--	--

Also in the Series | [MEAS 3038](#)

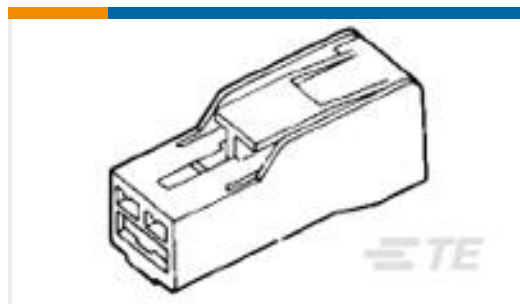


Vibration Sensors(9)

Customers Also Bought



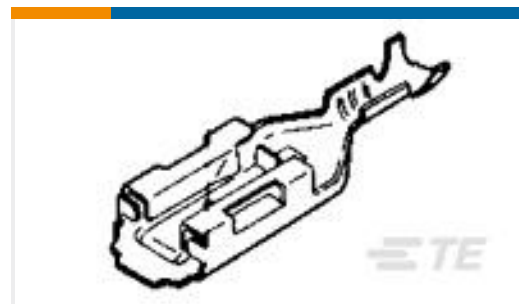
TE Part #5050864-1
SOCKET,MIN-SPR SN-AU SER-3



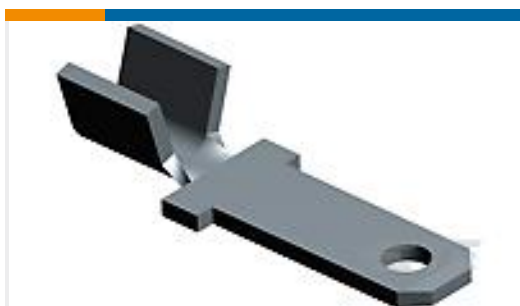
TE Part #172320-1
POSITIVE LOCK 250 (6.3 MM)
HOUSING



TE Part #42068-1
110 FASTON REC 22-18 AWG TPBR



TE Part #170456-2
PL 250 AM REC 12-10 0.40 X 21 PRE-TPBR



TE Part #62122-1
110 FASTON TAB 22-18 TPBR



TE Part #1734260-4
1.25 WTB HDR SMT, 4 POS



TE Part #1-2324579-2
HOUSING, PLUG, 12P,DUAL ROW,
EP2.5



TE Part #1744544-5
EP II TPA 05P, BLACK



TE Part #2324579-8
HOUSING, PLUG, 8P, DUAL ROW,
EP2.5



TE Part #CONMMCX001
MMCX Jack 50 Ohm PCB Through
Hole

Documents

[CAD Files](#)

[3D PDF](#)

[3D](#)

[Customer View Model](#)

[ENG_CVM_CVM_3038-6000_E.2d_dxf.zip](#)

[English](#)

[Customer View Model](#)

[ENG_CVM_CVM_3038-6000_E.3d_igs.zip](#)



English

Customer View Model

[ENG_CVM_CVM_3038-6000_E.3d_stp.zip](#)

English

By downloading the CAD file I accept and agree to the [Terms and Conditions](#) of use.

Datasheets & Catalog Pages

[3038_Accelerometer](#)

English