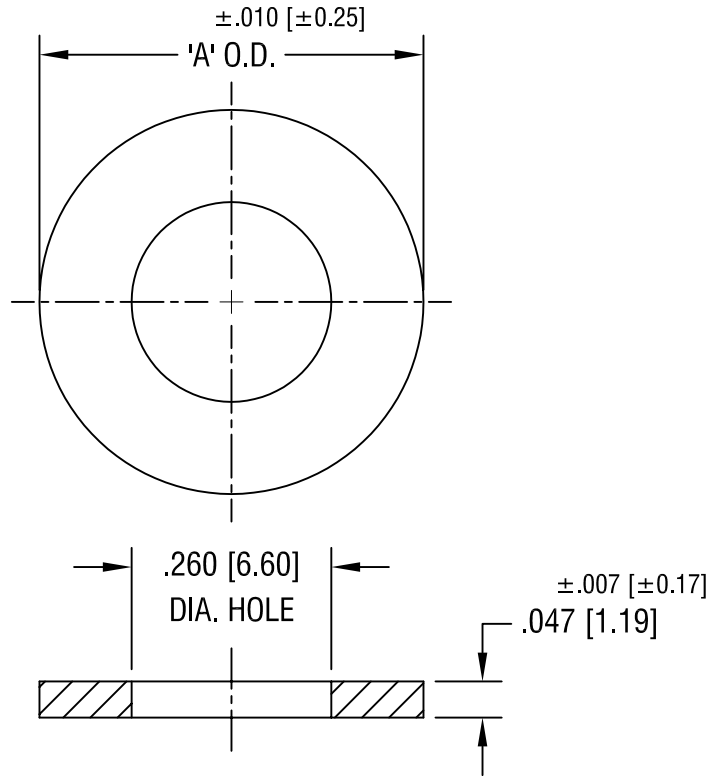


THIS DOCUMENT IS THE PROPERTY OF
KEYSTONE ELECTRONICS CORP. AND
SHALL NOT BE REPRODUCED, DISTRIBUTED
OR USED AS A BASIS FOR MANUFACTURE
WITHOUT PRIOR WRITTEN PERMISSION
FROM KEYSTONE ELECTRONICS CORP.



'A' O.D. DIM.	MAT'L: FIBRE	MAT'L: NYLON
.437 [11.09]	3178	3182
.500 [12.70]	3179	3183
.625 [15.87]	3180	3184
.750 [19.05]	3181	3185

KEYSTONE ELECTRONICS CORP.

ASTORIA, N.Y. 11105-2017

PART NAME				FLAT WASHER	
MATERIAL				AS NOTED	
FINISH		DRN BY	BOONE	DATE	8.23.82
-		APP'D	LN	SCALE	4X
TOLERANCES	INCH	[MM]	CODE	DWG NO.	
DECIMAL	$\pm .005$	[± 0.15]	C/M	3178-3185	
ANGULAR	$\pm 1^\circ$				
UNLESS OTHERWISE SPECIFIED					

9.15.94	CHANGE AS PER ECR 94-053	A
DATE	DESCRIPTION	REV.

Mouser Electronics

Authorized Distributor

Click to View Pricing, Inventory, Delivery & Lifecycle Information:

[Keystone Electronics:](#)

[3178](#)