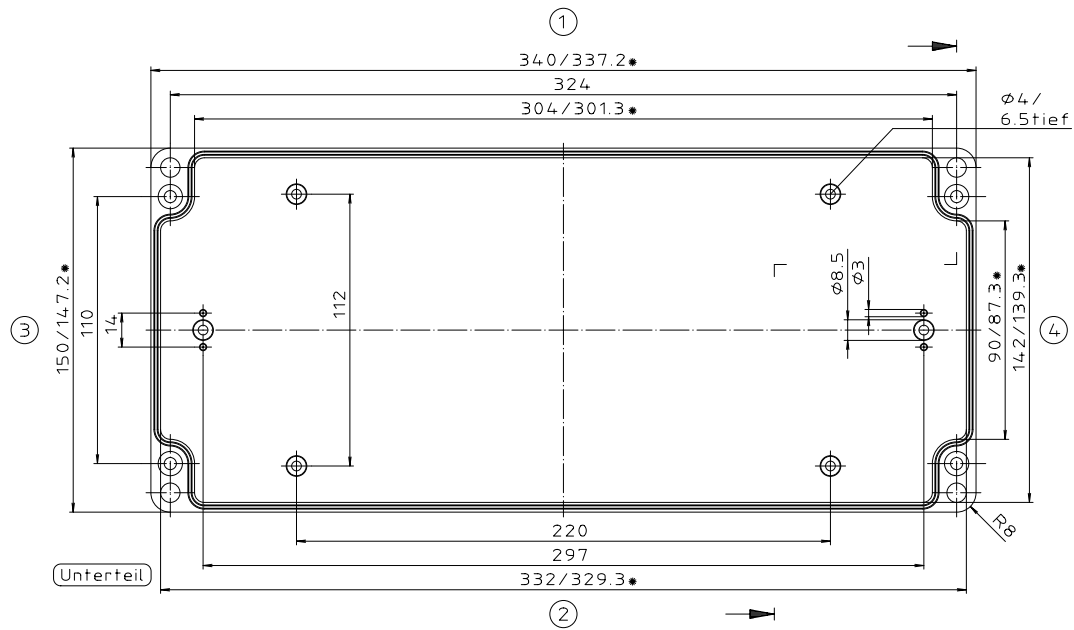


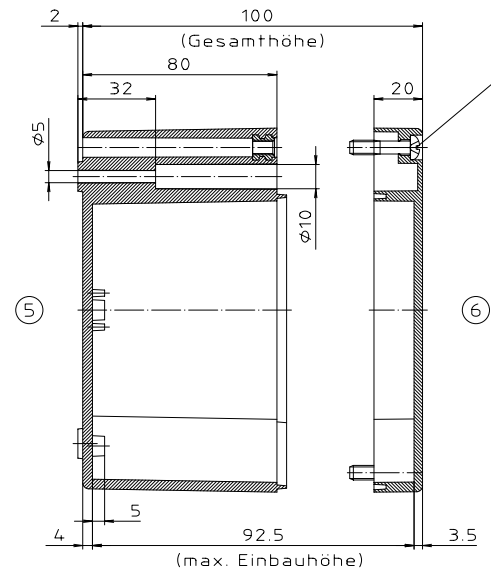
Deckel

* = Maß durch Formkonizität nach unten verringert.
Freimaß - Toleranz nach DIN 16901-130



Unterteil

Zylinderschraube M6 x 25/10
ähnl. DIN EN ISO 7045



ABS-Gehäuse können durch eine andere
Schwindung ca. 0,1-0,25% größer sein
als gezeichnete PC-Gehäuse

Konvertierung nicht zulässig!	
Maßstab: 1:1	
Zchn.Nr. 1K 24 4.009.04	
Artikel: M/T 244 mit Nocken Katalogzeichnung	
<small>3001</small> <small>3002</small> <small>3003</small> <small>3004</small> <small>3005</small> <small>3006</small> <small>3007</small> <small>3008</small> <small>3009</small> <small>3010</small> <small>3011</small> <small>3012</small> <small>3013</small> <small>3014</small> <small>3015</small> <small>3016</small> <small>3017</small> <small>3018</small> <small>3019</small> <small>3020</small> <small>3021</small> <small>3022</small> <small>3023</small> <small>3024</small> <small>3025</small> <small>3026</small> <small>3027</small> <small>3028</small> <small>3029</small> <small>3030</small> <small>3031</small> <small>3032</small> <small>3033</small> <small>3034</small> <small>3035</small> <small>3036</small> <small>3037</small> <small>3038</small> <small>3039</small> <small>3040</small> <small>3041</small> <small>3042</small> <small>3043</small> <small>3044</small> <small>3045</small> <small>3046</small> <small>3047</small> <small>3048</small> <small>3049</small> <small>3050</small> <small>3051</small> <small>3052</small> <small>3053</small> <small>3054</small> <small>3055</small> <small>3056</small> <small>3057</small> <small>3058</small> <small>3059</small> <small>3060</small> <small>3061</small> <small>3062</small> <small>3063</small> <small>3064</small> <small>3065</small> <small>3066</small> <small>3067</small> <small>3068</small> <small>3069</small> <small>3070</small> <small>3071</small> <small>3072</small> <small>3073</small> <small>3074</small> <small>3075</small> <small>3076</small> <small>3077</small> <small>3078</small> <small>3079</small> <small>3080</small> <small>3081</small> <small>3082</small> <small>3083</small> <small>3084</small> <small>3085</small> <small>3086</small> <small>3087</small> <small>3088</small> <small>3089</small> <small>3090</small> <small>3091</small> <small>3092</small> <small>3093</small> <small>3094</small> <small>3095</small> <small>3096</small> <small>3097</small> <small>3098</small> <small>3099</small> <small>3100</small> <small>3101</small> <small>3102</small> <small>3103</small> <small>3104</small> <small>3105</small> <small>3106</small> <small>3107</small> <small>3108</small> <small>3109</small> <small>3110</small> <small>3111</small> <small>3112</small> <small>3113</small> <small>3114</small> <small>3115</small> <small>3116</small> <small>3117</small> <small>3118</small> <small>3119</small> <small>3120</small> <small>3121</small> <small>3122</small> <small>3123</small> <small>3124</small> <small>3125</small> <small>3126</small> <small>3127</small> <small>3128</small> <small>3129</small> <small>3130</small> <small>3131</small> <small>3132</small> <small>3133</small> <small>3134</small> <small>3135</small> <small>3136</small> <small>3137</small> <small>3138</small> <small>3139</small> <small>3140</small> <small>3141</small> <small>3142</small> <small>3143</small> <small>3144</small> <small>3145</small> <small>3146</small> <small>3147</small> <small>3148</small> <small>3149</small> <small>3150</small> <small>3151</small> <small>3152</small> <small>3153</small> <small>3154</small> <small>3155</small> <small>3156</small> <small>3157</small> <small>3158</small> <small>3159</small> <small>3160</small> <small>3161</small> <small>3162</small> <small>3163</small> <small>3164</small> <small>3165</small> <small>3166</small> <small>3167</small> <small>3168</small> <small>3169</small> <small>3170</small> <small>3171</small> <small>3172</small> <small>3173</small> <small>3174</small> <small>3175</small> <small>3176</small> <small>3177</small> <small>3178</small> <small>3179</small> <small>3180</small> <small>3181</small> <small>3182</small> <small>3183</small> <small>3184</small> <small>3185</small> <small>3186</small> <small>3187</small> <small>3188</small> <small>3189</small> <small>3190</small> <small>3191</small> <small>3192</small> <small>3193</small> <small>3194</small> <small>3195</small> <small>3196</small> <small>3197</small> <small>3198</small> <small>3199</small> <small>3200</small>	<small>DISK</small> <small>2 501 123</small> <small>Datum</small> <small>25.10.93 OK</small>

Schulz vermindert nach DIN 31. beibehalten