

173724-1 ✓ ACTIVE



Positive Lock | Positive Lock 187

TE Internal #: 173724-1

Receptacle, 20 – 14 AWG Wire Size, .51 – 2.08 mm² Wire Size,
Mating Tab Width 4.75 mm [.187 in], Straight, Brass, Positive Lock
187, Quick Disconnects

[View on TE.com >](#)

Terminals & Splices > Quick Disconnects



Quick Disconnect Terminal Type: **Receptacle**

Wire Size: .51 – 2.08 mm²

Mating Tab Width: 4.75 mm [.187 in]

Mating Tab Thickness: .51 mm [.02 in]

Features

Product Type Features

Insertion Force	Low
-----------------	-----

Configuration Features

Connection Capacity	Single
Compatible With Wire & Cable Type	Discrete Wire

Electrical Characteristics

Voltage Rating	250 V
----------------	-------

Contact Features

Quick Disconnect Terminal Type	Receptacle
Mating Tab Width	4.75 mm [.187 in]
Mating Tab Thickness	.51 mm [.02 in]
Terminal Orientation	Straight
Contact Base Material	Brass
Terminal Plating Material	Pre-Tin
Crimp Type	F-Crimp



Barrel Type	Open
-------------	------

Termination Features

Product Terminates To	Wire & Cable
-----------------------	--------------

Mechanical Attachment

Wire Insulation Support	With
-------------------------	------

Dimensions

Terminal Material Thickness	.3 mm [.012 in]
-----------------------------	-----------------

Product Length	17.2 mm [.677 in]
----------------	-------------------

Compatible Insulation Diameter Range	1.9 – 4.4 mm [.074 – .173 in]
--------------------------------------	-------------------------------

Wire Size	.51 – 2.08 mm ²
-----------	----------------------------

Usage Conditions

Insulation Option	Uninsulated
-------------------	-------------

Operating Temperature Range	-40 – 110 °C [-40 – 230 °F]
-----------------------------	-----------------------------

Packaging Features

Packaging Quantity	6000
--------------------	------

Packaging Method	Strip/Reel
------------------	------------

Product Compliance

[For compliance documentation, visit the product page on TE.com>](#)

EU RoHS Directive 2011/65/EU	Compliant
------------------------------	-----------

EU ELV Directive 2000/53/EC	Compliant
-----------------------------	-----------

China RoHS 2 Directive MIIT Order No 32, 2016	No Restricted Materials Above Threshold
---	---

EU REACH Regulation (EC) No. 1907/2006	Current ECHA Candidate List: JUNE 2024 (241) Candidate List Declared Against: JUNE 2024 (241) Does not contain REACH SVHC
--	---

Halogen Content	Low Halogen - Br, Cl, F, I < 900 ppm per homogenous material. Also BFR/CFR/PVC Free
-----------------	---

Solder Process Capability	Not applicable for solder process capability
---------------------------	--

Product Compliance Disclaimer

This information is provided based on reasonable inquiry of our suppliers and represents our current actual knowledge based on the information they provided. This information is subject to change. The part numbers that TE has identified as EU RoHS compliant have a maximum concentration of 0.1% by weight in homogenous materials for lead, hexavalent chromium, mercury, PBB, PBDE, DBP, BBP, DEHP, DIBP, and 0.01% for cadmium, or qualify for an exemption to these

limits as defined in the Annexes of Directive 2011/65/EU (RoHS2). Finished electrical and electronic equipment products will be CE marked as required by Directive 2011/65/EU. Components may not be CE marked. Additionally, the part numbers that TE has identified as EU ELV compliant have a maximum concentration of 0.1% by weight in homogenous materials for lead, hexavalent chromium, and mercury, and 0.01% for cadmium, or qualify for an exemption to these limits as defined in the Annexes of Directive 2000/53/EC (ELV). Regarding the REACH Regulation, the information TE provides on SVHC in articles for this part number is based on the latest European Chemicals Agency (ECHA) 'Guidance on requirements for substances in articles' posted at this URL: <https://echa.europa.eu/guidance-documents/guidance-on-reach>

Compatible Parts



TE Part # 2232342-1
187 PL EX FLAG REC. 22-16AWG PTBR



TE Part # 1-172075-1
3 POS PL 187(4.8 MM) HOUSING NATURAL



TE Part # 2013799-1
250 HSG. PL EX REC. BLACK



TE Part # 1743058-1
PL 187 REC 22-16 AWG 0.3 X 22.8 PTBR



TE Part # 1743221-1
250 PL EX FLAG REC. 18-12AWG PTBR



TE Part # 2150058-1
OCEAN_2.0_Applicator-E-110F200F-REM

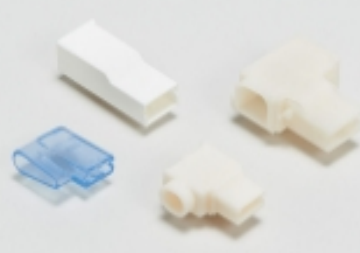


TE Part # 2150058-2
OCEAN_2.0_Applicator-E-110F200F-REA




TE Part # 7-2150058-7
OCEAN_2.0_SPARE_PART_KIT-110F200F

Also in the Series | Positive Lock 187




Crimp Terminal Housings(86)



Insertion & Extraction Tools(2)

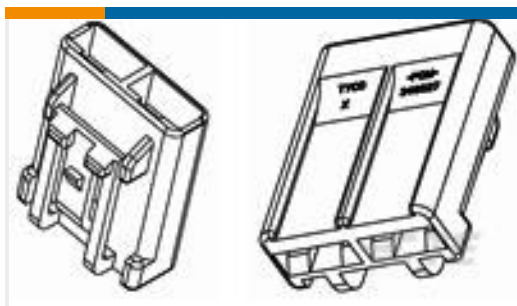


Insulation Boots & Sleeves(7)

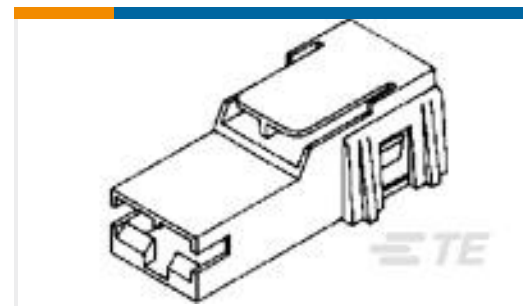


Quick Disconnects(57)

Customers Also Bought



TE Part #346027-1
FASTIN FASTON HOUSING
RECEPTACLE



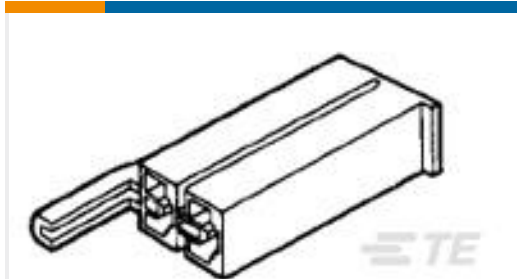
TE Part #520961-1
PL 250 HOUSING BLACK NYLON



TE Part #175411-1
110 PL REC. 24-20AWG PTBR



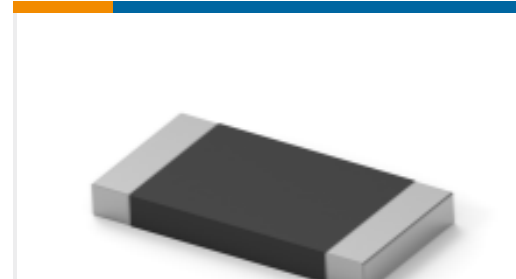
TE Part #63663-1
MAG-MATE 22-20 187 FTAB TPBR



TE Part #1-174587-1
PL MK2 2P 187 HOUSING
RECEPTACLE NAT



TE Part #2108743-1
POWER 2P DBL L/PRO NAT



TE Part #2-2176422-7
TLRP 2512 3.0W R033 1% 25PPM 4K RL



TE Part #63512-3
187 FASTON FLAG REC 18-14 AWG
BR



TE Part #63606-4
187 FASTON REC 18-14 AWG TPBR

Documents

CAD Files

3D PDF

3D

Customer View Model

[ENG_CVM_CVM_173724-1_W.2d_dxf.zip](#)

English

Customer View Model

[ENG_CVM_CVM_173724-1_W.3d_igs.zip](#)

English

Customer View Model

[ENG_CVM_CVM_173724-1_W.3d_stp.zip](#)

English

By downloading the CAD file I accept and agree to the [Terms and Conditions](#) of use.

Product Specifications

Application Specification

English

Instruction Sheets



[Instruction Sheet \(non U.S.\)](#)

English

[POSITIVE LOCK EX CONTACT](#)

English

[Agency Approvals](#)

[UL Report](#)

English

[UL Report](#)

English