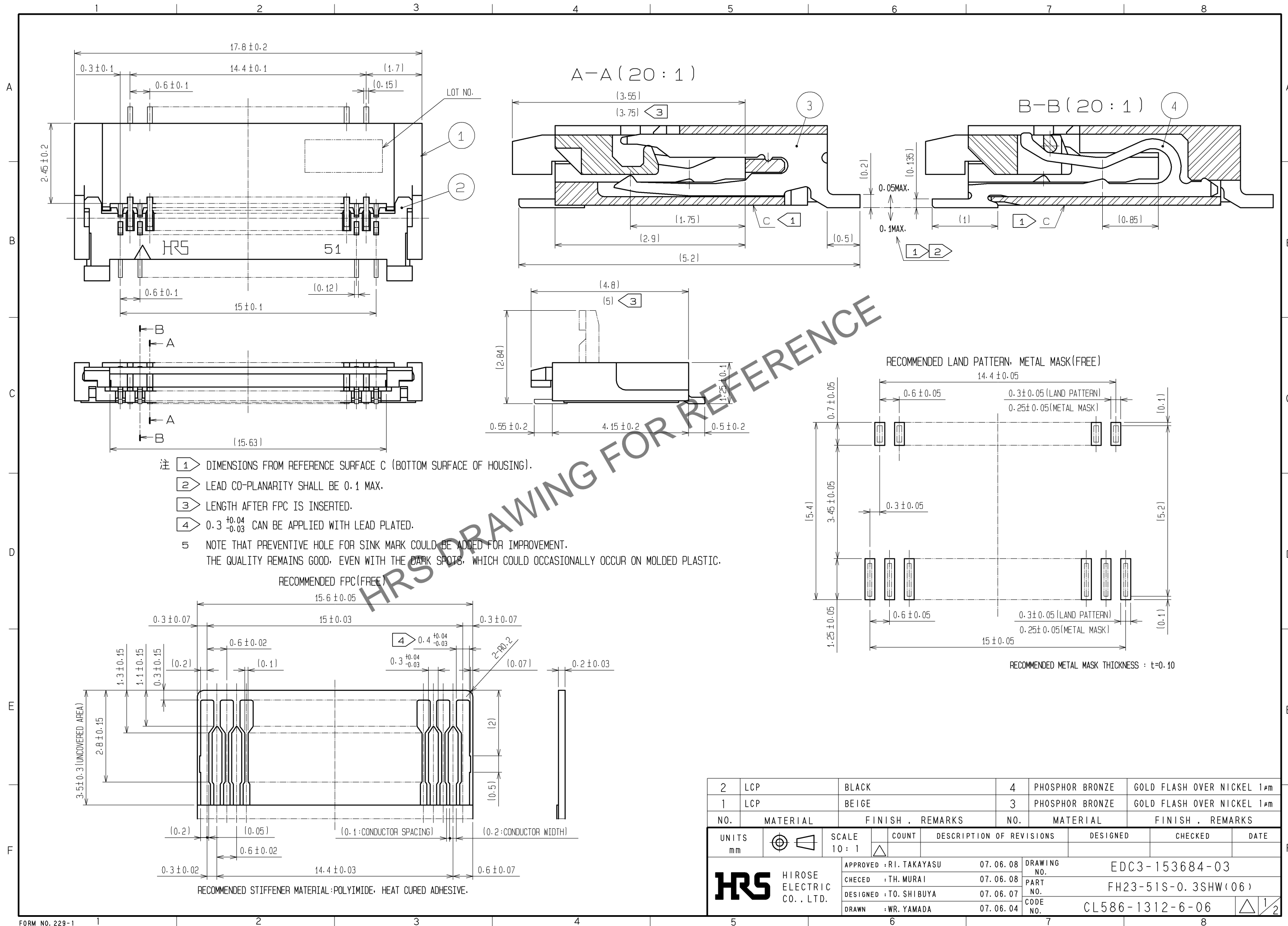
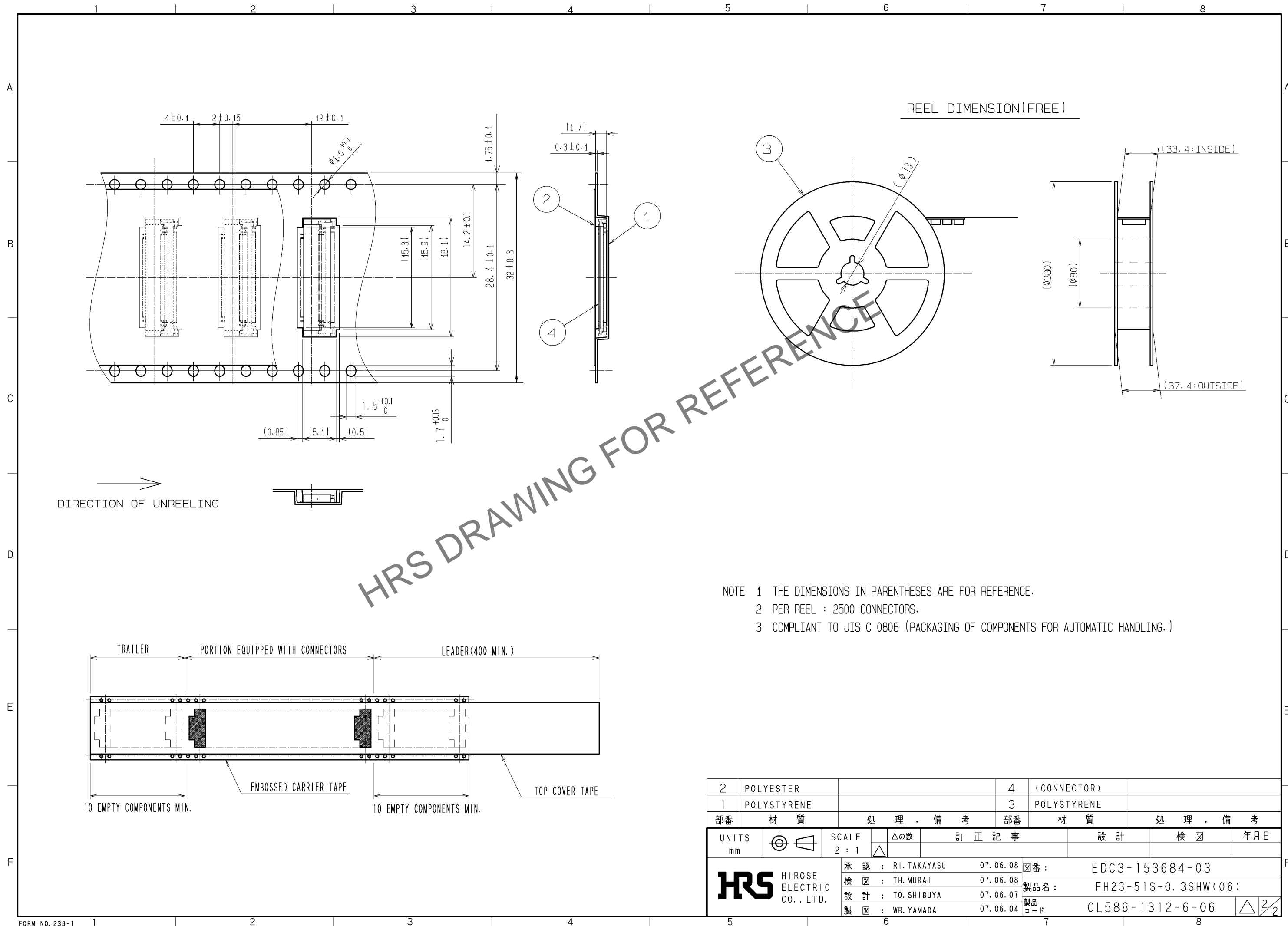


Jul.1.2024 Copyright 2024 HIROSE ELECTRIC CO., LTD. All Rights Reserved.
 In case of consideration for using Automotive equipment / device which demand high reliability, kindly contact our sales window correspondents.



2	LCP	BLACK	4	PHOSPHOR BRONZE	GOLD FLASH OVER NICKEL 1μm			
1	LCP	BEIGE	3	PHOSPHOR BRONZE	GOLD FLASH OVER NICKEL 1μm			
NO.	MATERIAL	FINISH . REMARKS	NO.	MATERIAL	FINISH . REMARKS			
UNITS	mm	SCALE	10 : 1	COUNT	DESCRIPTION OF REVISIONS	DESIGNED	CHECKED	DATE
APPROVED : R.I. TAKAYASU		07.06.08		DRAWING NO.		EDC3-153684-03		
CHECKED : TH. MURAI		07.06.08		PART NO.		FH23-51S-0.3SHW(06)		
DESIGNED : TO. SHIBUYA		07.06.07		CODE NO.		CL586-1312-6-06		
DRAWN : WR. YAMADA		07.06.04						

Jul.1.2024 Copyright 2024 HIROSE ELECTRIC CO., LTD. All Rights Reserved.
 In case of consideration for using Automotive equipment / device which demand high reliability, kindly contact our sales window correspondents.



HRS DRAWING FOR REFERENCE

- NOTE
- 1 THE DIMENSIONS IN PARENTHESES ARE FOR REFERENCE.
 - 2 PER REEL : 2500 CONNECTORS.
 - 3 COMPLIANT TO JIS C 0806 (PACKAGING OF COMPONENTS FOR AUTOMATIC HANDLING.)

2	POLYESTER		4	(CONNECTOR)	
1	POLYSTYRENE		3	POLYSTYRENE	
部番	材質	処理, 備考	部番	材質	処理, 備考
UNITS mm		SCALE 2:1	Δ の数	訂正記事	設計
HRS HIROSE ELECTRIC CO., LTD.		承認 : RI. TAKAYASU 07.06.08	図番 : EDC3-153684-03		
		検 査 : TH. MURAI 07.06.08	製品名 : FH23-51S-0.3SHW(06)		
		設 計 : TO. SHIBUYA 07.06.07	製品コード : CL586-1312-6-06		
		製 図 : WR. YAMADA 07.06.04	2/2		