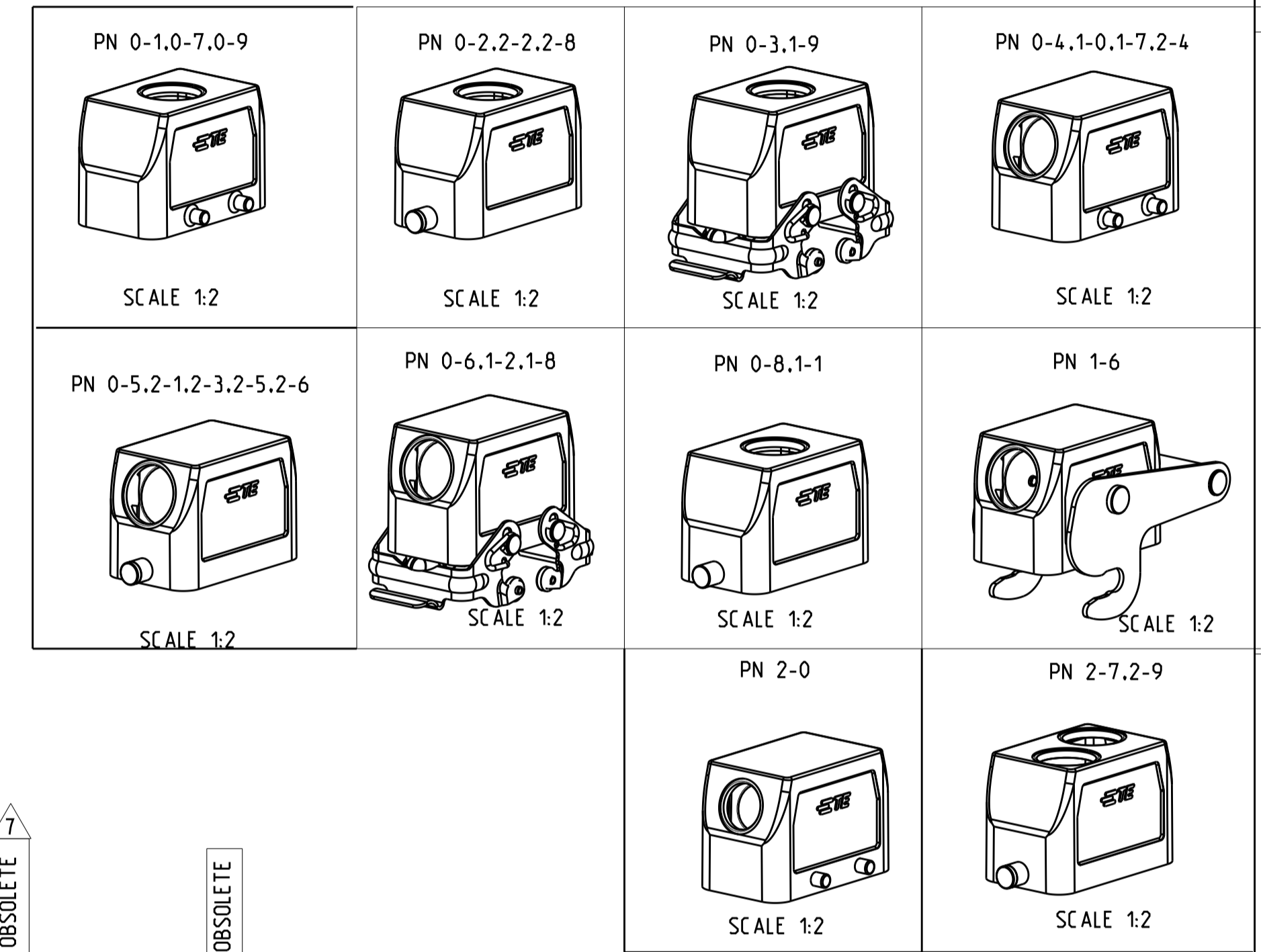
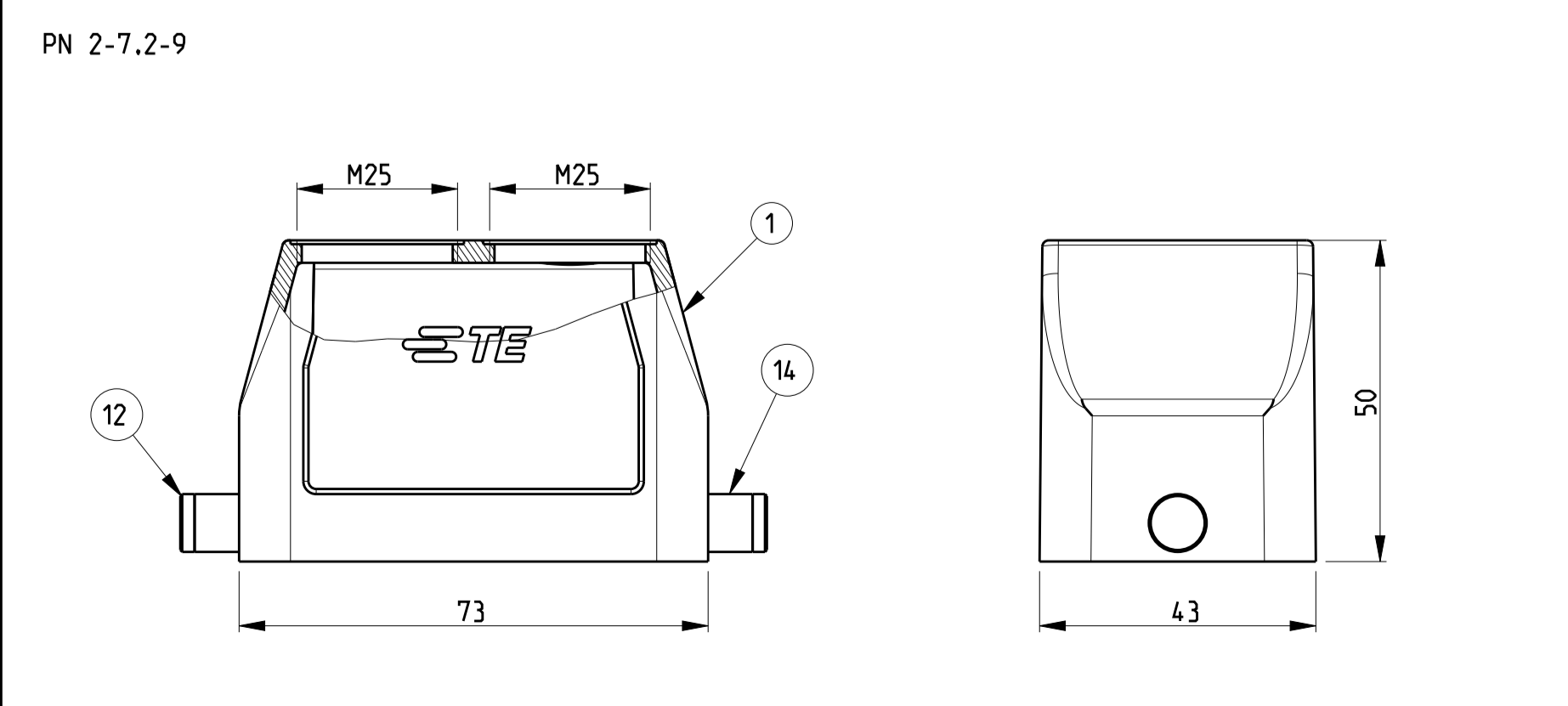
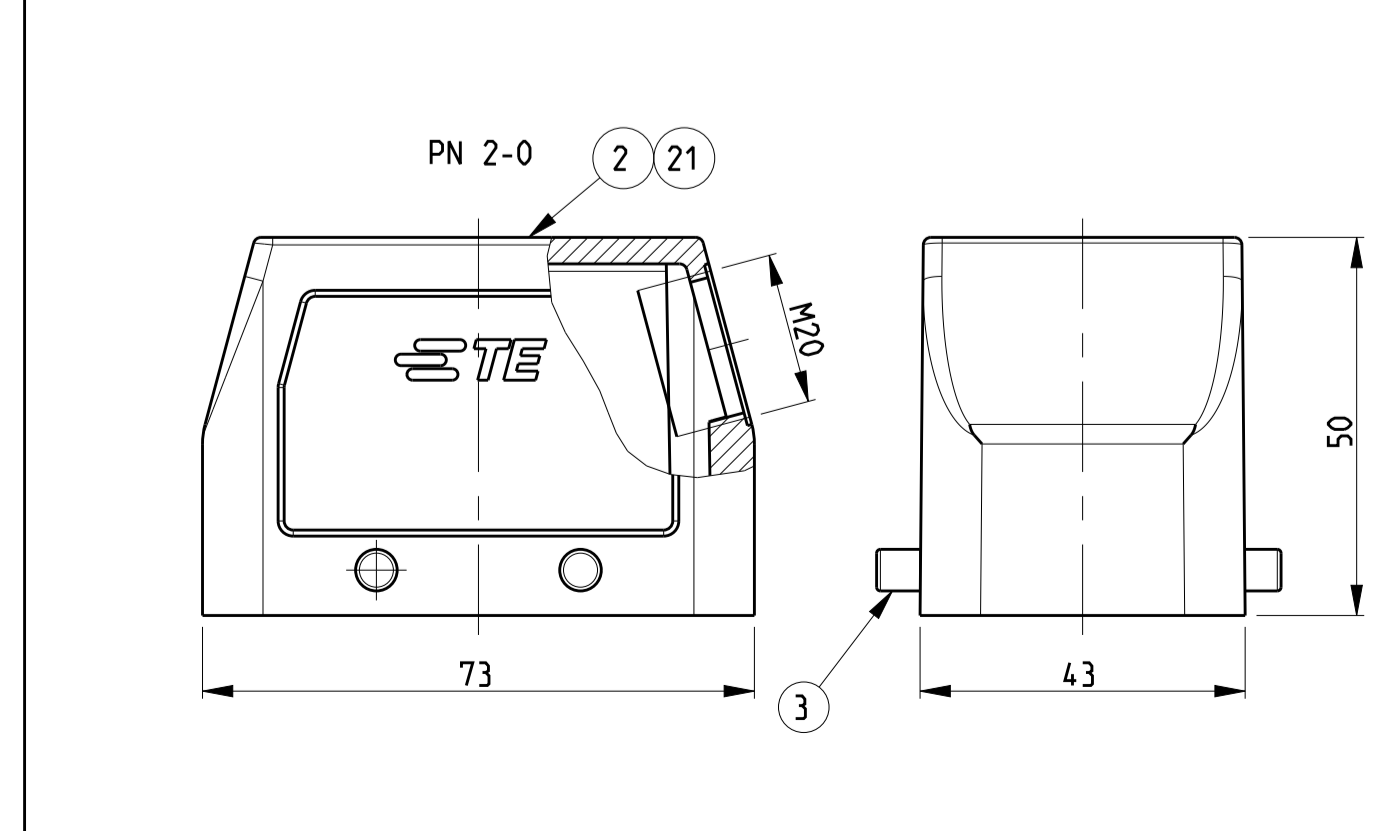
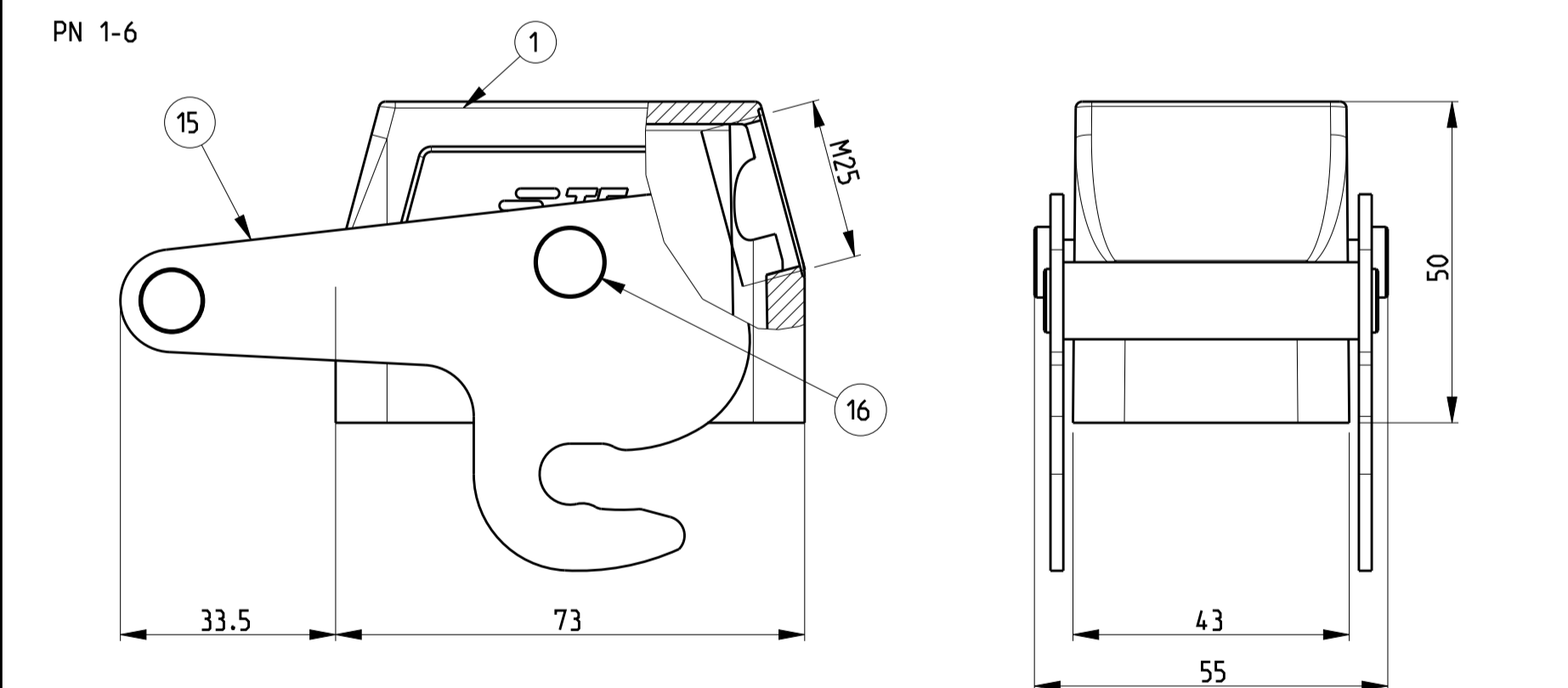
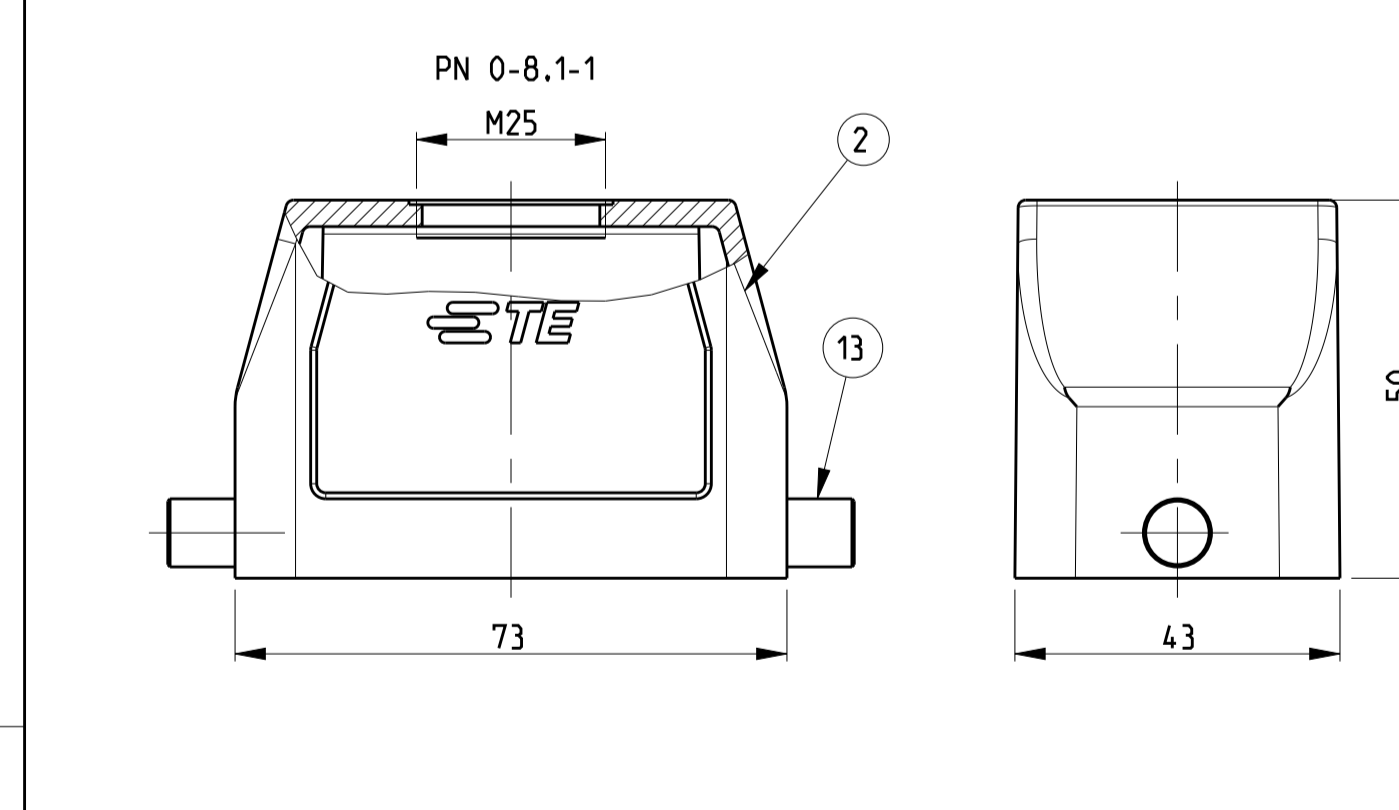
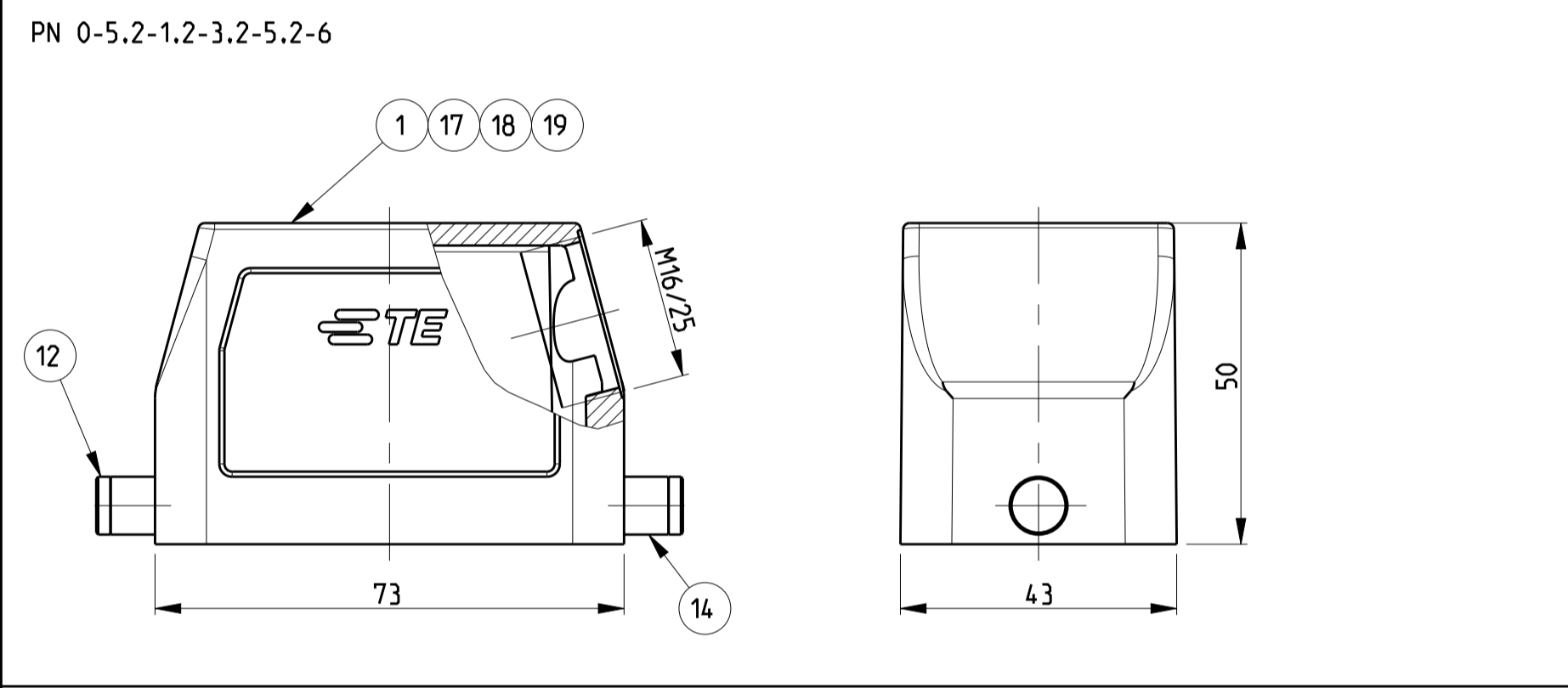
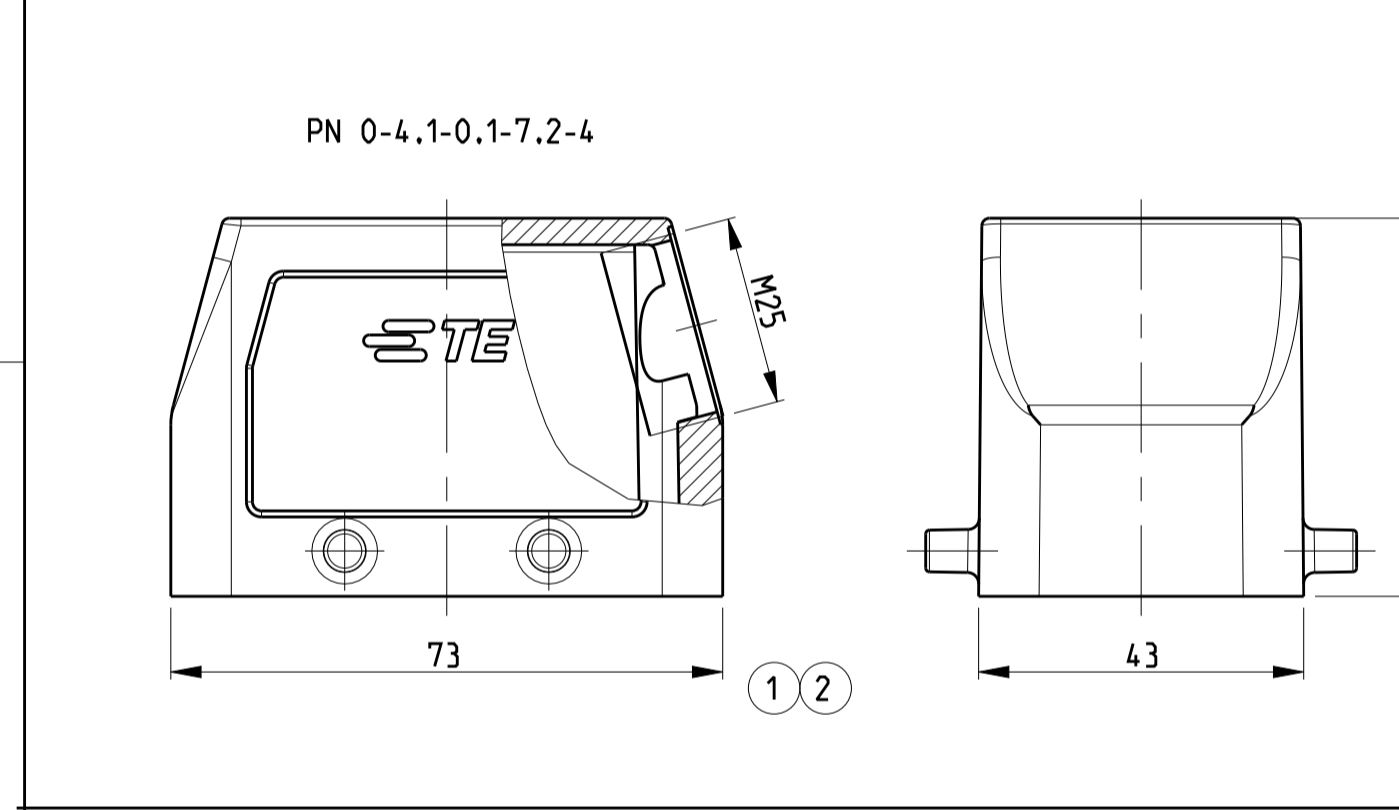
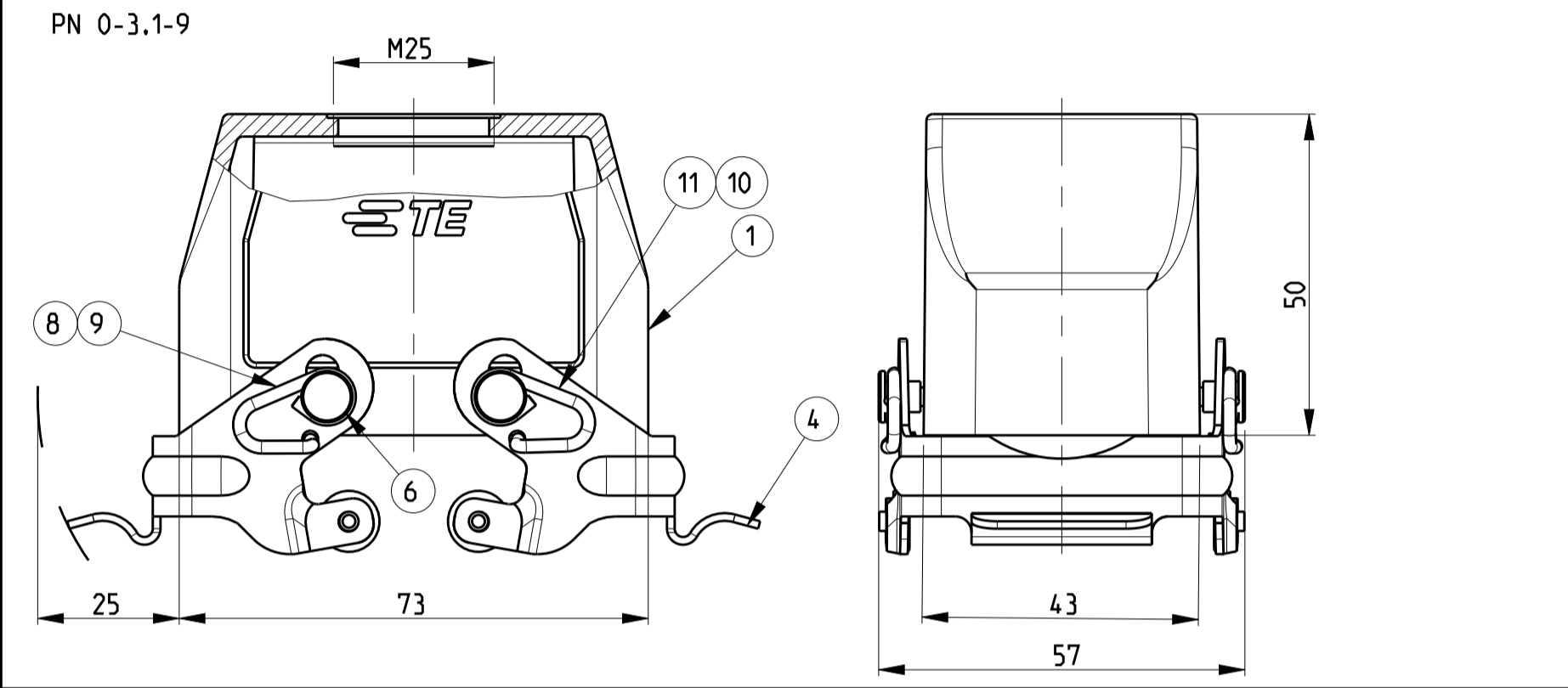
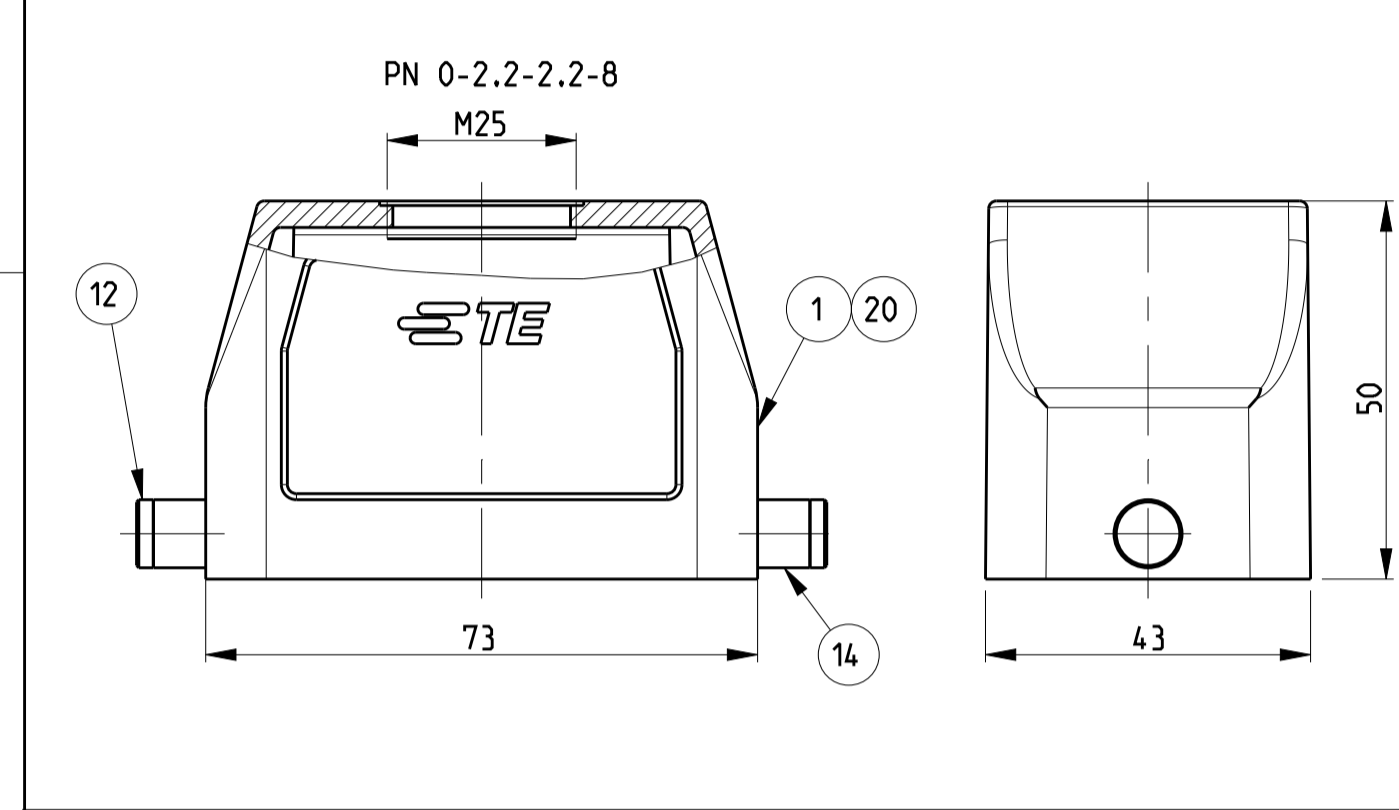
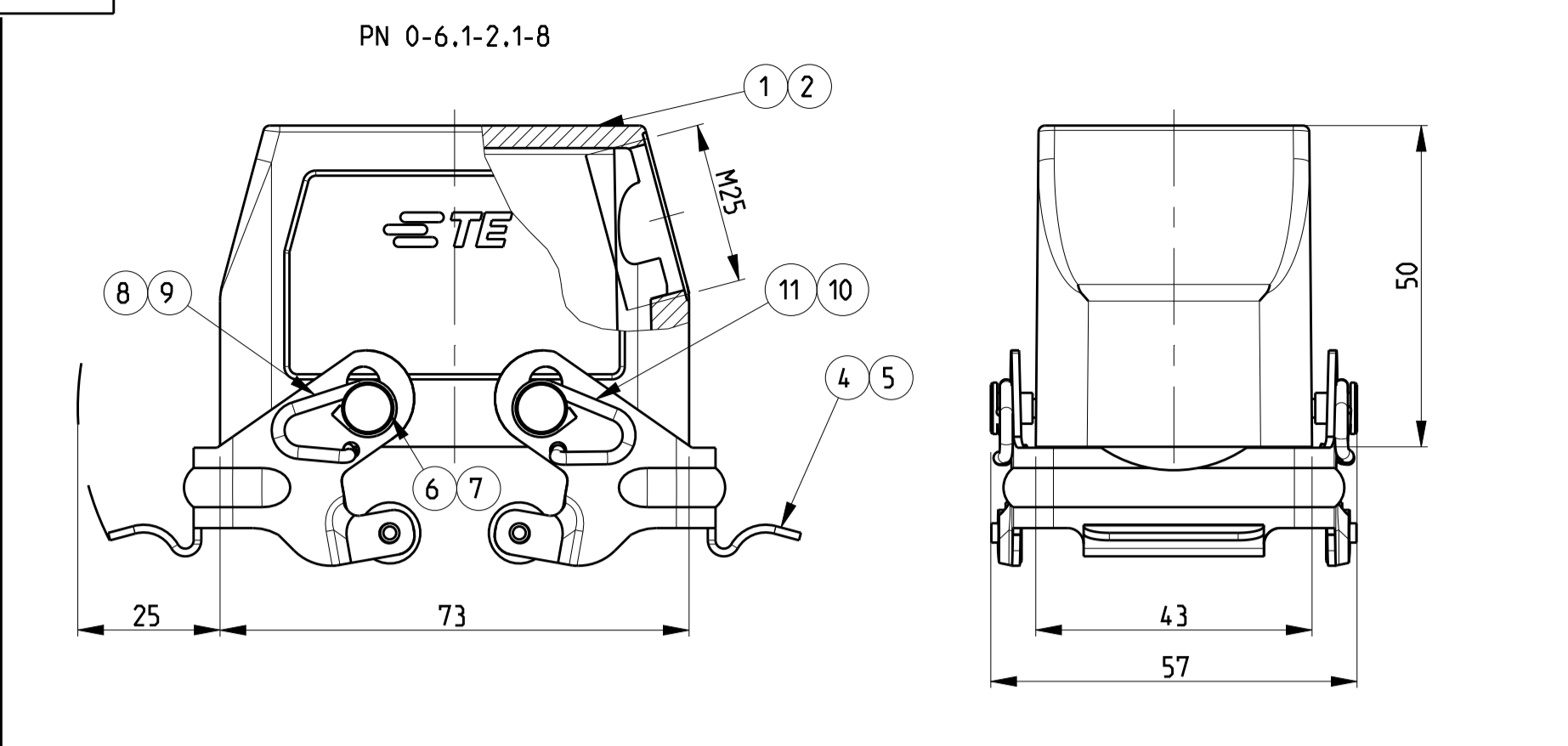
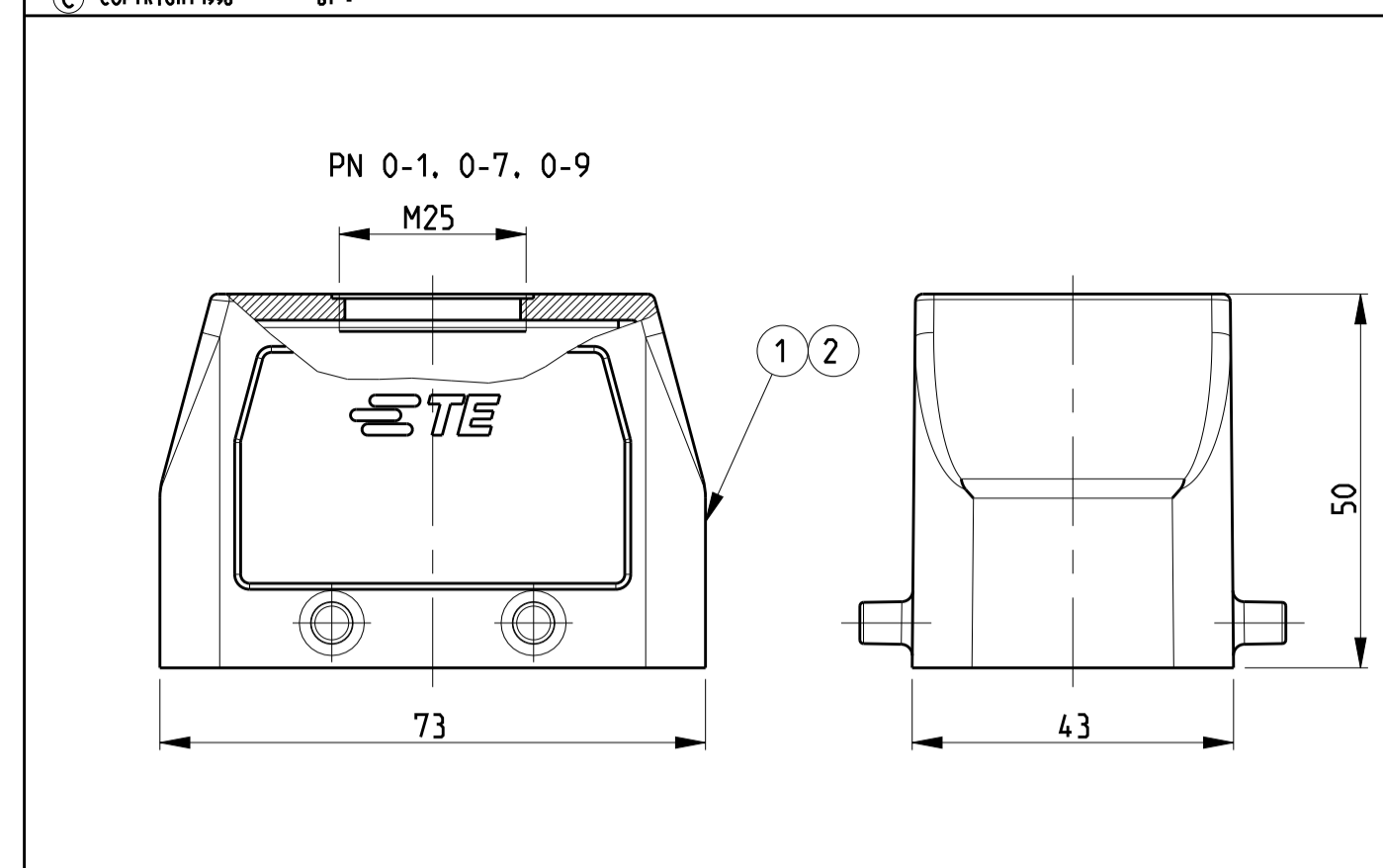


REVISIONS				
P.	LTR.	DESCRIPTION	DATE	DRW. APVD.
A24	ECR-10-016861		12AUG2010	GR GW
A25	ECR-16-016696		18SEP2017	GR MKO
A26	REVISED PER ECR-16-016780		30JAN2018	SG MKO
A27	ECR-17-014013		26MAR2018	SG MKO

- NOTES
- 1 MATERIAL:HOUSING ALUMINIUM DIECASTING ALLOY
 - 2 SURFACE-POWDER VARNISH GREY
-ALUMINIUM OXIDE
-VARNISH BLACK
 - 3 PACKAGING QUANTITY 5 PIECES IN A BOX
 - 4 VARNISH ON THE INSIDE NOT NECESSARY
 - 5 SPECIAL PACKAGING QUANTITY 50 PIECES IN A KANBAN BOX
 - 6 SPECIAL PACKAGING QUANTITY 130 PIECES IN A KANBAN BOX
 - 7 OBSOLETE PARTS: OBSOLETE CIS STREAMLINING PER D.RENAUD/D.SINISI



QTY	REF	DESCRIPTION	MATERIAL	SURFACE	COLOR	ITEM NO	NOTES
1	1	HB-EMV HOOD	ALUMINIUM	SEE NOTE	BLANC	21	
1	1	HB-EMV HOOD	ALUMINIUM	SEE NOTE	BLANC	20	
1	1	HB HOOD	ALUMINIUM		BLANK	19	
1	1	HB HOOD	ALUMINIUM		BLANK	18	
1	1	HB-EMV HOOD	ALUMINIUM	SEE NOTE	BLANK	17	
2	2	ZB-CLIP FIXING	STEEL	ZINC PLATED	BLUE	16	
2	2	ZB-SIDE CLIP	STEEL	ZINC PLATED	BLUE	15	
2	2	LB-SLIDE SPOOL	STEEL	ZINC PLATED	BLUE	14	
2	2	LB-CLIP BOLT	STAINLESS STEEL	BLANK	BLUE	13	
2	2	LB-CLIP BOLT	STEEL	ZINC PLATED	BLUE	12	
2	2	VS-CLIP SPRING RIGHT	STAINLESS STEEL	BLANK	BLUE	11	
2	2	VS-CLIP SPRING RIGHT	STEEL	ZINC PLATED	BLUE	10	
2	2	VS-CLIP SPRING LEFT	STAINLESS STEEL	BLANK	BLUE	9	
2	2	VS-CLIP SPRING LEFT	STEEL	ZINC PLATED	BLUE	8	
4	4	VS-CLIP FIXING	STAINLESS STEEL	BLANK	BLUE	7	
2	2	VS-CLIP FIXING	STEEL	ZINC PLATED	BLUE	6	
2	2	VS-SIDE CLIP	STAINLESS STEEL	BLANK	BLUE	5	
2	2	VS-SIDE CLIP	STEEL	ZINC PLATED	BLUE	4	
1	1	VS-CLIP BOLT	STAINLESS STEEL	BLANK	BLACK	3	
1	1	HB-K HOOD	ALUMINIUM	ALUMINIUM OXIDE	BLACK	2	
1	1	HB HOOD	ALUMINIUM		GREY	1	

THIS DRAWING IS A CONTROLLED DOCUMENT.

DRW: SCHNEIDER 11.12.2002
 CHE: SCHWEIGER 11.12.2002

APVD: -

NAME: HOOD HB.10 WITH M-THREAD

PRODUCT SPEC: 108-740001/108-740003
 APPLICATION SPEC: 114-740001/114-740004

SIZE: A1 CAGE CODE: 00779 DRAWING NO: C=1106430

WEIGHT: -

CUSTOMER DRAWING

SCALE: 5:1 SHEET: 1 OF 1

RESTRICTED TO: A27