

FOC-V14-C1ZNI-B/SJFP - FO connectors



1407902

<https://www.phoenixcontact.com/us/products/1407902>

Please be informed that the data shown in this PDF document is generated from our online catalog. Please find the complete data in the user documentation. Our general terms of use for downloads are valid.



FO connectors, degree of protection: IP65/IP67, number of positions: 2, MM, material: Metal, cable outlet: angled

Your advantages

- Push-pull ADVANCE connector
- Locking system to prevent inadvertent release
- Highest ESD and EMC resistance for reliable transmission

Commercial data

| | |
|--------------------------------------|--------------------------------|
| Item number | 1407902 |
| Packing unit | 1 pc |
| Minimum order quantity | 1 pc |
| Note | Made to order (non-returnable) |
| Sales key | AB17 |
| Product key | ABNOBA |
| Catalog page | Page 368 (C-2-2019) |
| GTIN | 4046356782050 |
| Weight per piece (including packing) | 102.5 g |
| Weight per piece (excluding packing) | 22.22 g |
| Customs tariff number | 85367000 |
| Country of origin | PL |

1407902

<https://www.phoenixcontact.com/us/products/1407902>

Technical data

Notes

| | |
|---------|---|
| General | This product corresponds to the PROFINET Cabling and Interconnection Technology Guideline for PROFINET regulations, version 2.00, order no: 2.252, Chapter 8.4 Connectors for outside environment (optical fibre) and chapter 13 Application specific Cabling and Interconnection Technology (AIDA) |
|---------|---|

Product properties

| | |
|---------------------|-----------------------------|
| Product type | Data connector (cable side) |
| Type | SC-RJ |
| Number of positions | 2 |
| Connection profile | SCRJ |
| Cable outlet | angled |

Insulation characteristics

| | |
|----------------------|---|
| Overvoltage category | I |
| Degree of pollution | 3 |

Electrical properties

| | |
|---|---|
| Attenuation | ≤ 1.5 dB (in accordance with ISO/IEC 24702) |
| Transmission medium | FO |
| Transmission characteristics (category) | MM |

Dimensions

| | |
|--------|-------|
| Width | 22 mm |
| Height | 34 mm |
| Length | 80 mm |

Material specifications

| | |
|--|---------------|
| Flammability rating according to UL 94 | V0 |
| Seal material | NBR |
| Ferrule material | Copper alloy |
| Housing material | Metal |
| Housing surface material | nickel-plated |

Cable/line

| | |
|-------------------------|------------------|
| Cable type | Plastic fiber |
| External cable diameter | 5.5 mm ... 10 mm |
| External cable diameter | 5.5 mm ... 10 mm |
| Resistance to oil | yes |
| Flame resistance | yes |

FO cable

1407902

<https://www.phoenixcontact.com/us/products/1407902>

| | |
|------------------|-------------|
| Number of fibers | 2 |
| Fiber | 980/1000 µm |
| Fiber type | POF |

Mechanical properties

Mechanical data

| | |
|-----------------------------|-------|
| Insertion/withdrawal cycles | ≥ 100 |
|-----------------------------|-------|

Characteristics

| | |
|-------------|---|
| Attenuation | ≤ 1.5 dB (in accordance with ISO/IEC 24702) |
|-------------|---|

Environmental and real-life conditions

Ambient conditions

| | |
|---|------------------|
| Degree of protection | IP65/IP67 |
| Ambient temperature (operation) | -25 °C ... 70 °C |
| Ambient temperature (storage/transport) | -40 °C ... 70 °C |
| Ambient temperature (assembly) | -10 °C ... 40 °C |
| Resistance to oil | yes |

Standards and regulations

| | |
|-------------------|-----|
| Flame resistance | yes |
| Resistance to oil | yes |

FOC-V14-C1ZNI-B/SJFP - FO connectors

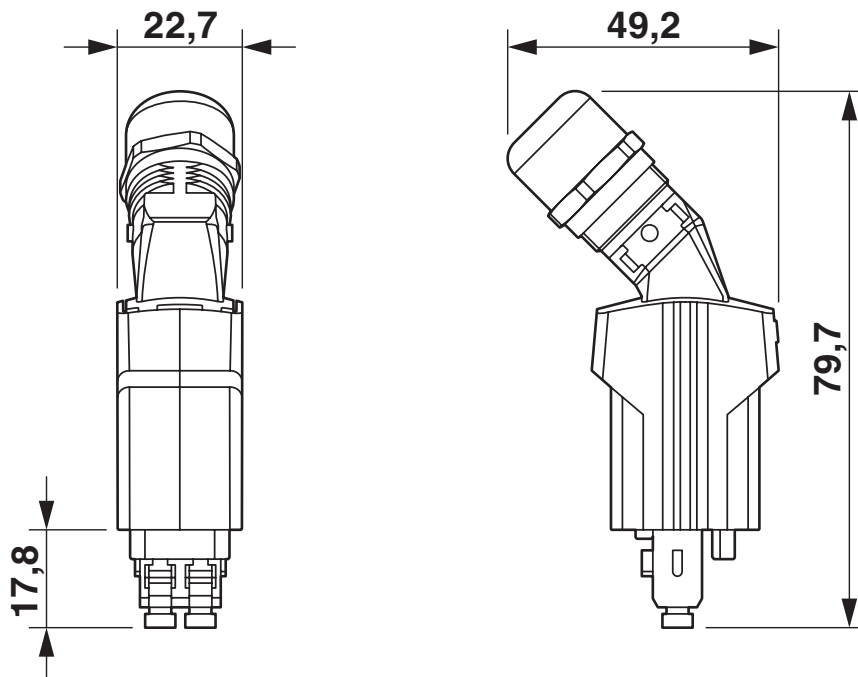


1407902

<https://www.phoenixcontact.com/us/products/1407902>

Drawings

Dimensional drawing



FOC-V14-C1ZNI-B/SJFP - FO connectors



1407902

<https://www.phoenixcontact.com/us/products/1407902>

Approvals

To download certificates, visit the product detail page: <https://www.phoenixcontact.com/us/products/1407902>



UL Listed

Approval ID: E308814-20180830

FOC-V14-C1ZNI-B/SJFP - FO connectors



1407902

<https://www.phoenixcontact.com/us/products/1407902>

Classifications

ECLASS

| | |
|-------------|----------|
| ECLASS-11.0 | 19170122 |
| ECLASS-12.0 | 19170122 |
| ECLASS-13.0 | 19170122 |

ETIM

| | |
|----------|----------|
| ETIM 9.0 | EC001122 |
|----------|----------|

UNSPSC

| | |
|-------------|----------|
| UNSPSC 21.0 | 43223300 |
|-------------|----------|

1407902

<https://www.phoenixcontact.com/us/products/1407902>

Environmental product compliance

EU RoHS

| | |
|---|--------------------|
| Fulfills EU RoHS substance requirements | Yes, No exemptions |
|---|--------------------|

China RoHS

| | |
|--|--|
| Environment friendly use period (EFUP) | EFUP-E |
| | No hazardous substances above the limits |

EU REACH SVHC

| | |
|-------------------------------------|---|
| REACH candidate substance (CAS No.) | 6,6'-di-tert-butyl-2,2'-methylenedi-p-cresol(CAS: 119-47-1) |
| SCIP | e6a150ee-78b8-479a-8eec-4cb539ac9a39 |

FOC-V14-C1ZNI-B/SJFP - FO connectors



1407902

<https://www.phoenixcontact.com/us/products/1407902>

Accessories

VS-SCRJ-POF-KONFTOOL-POLISH - FO accessories

1658820

<https://www.phoenixcontact.com/us/products/1658820>



SC-RJ polishing tool set, for polymer fiber, for field assembly of the SC-RJ connector (IP20/IP67) with fast connection technology, with stripping tool, diagonal cutter, aramid scissors, polishing materials, microscope, 2x SC-RJ connector IP20

VS-PPC-F1-PC-POBK - Protective cover

1405316

<https://www.phoenixcontact.com/us/products/1405316>



Protective cover, IP65, with push-pull locking for covering the contact insert in the push-pull connector for RJ45 and SC-RJ, plastic

FOC-V14-C1ZNI-B/SJFP - FO connectors

1407902

<https://www.phoenixcontact.com/us/products/1407902>



FOC-V14-F1ZNI-EM/SJB - Panel mounting frames

1413964

<https://www.phoenixcontact.com/us/products/1413964>



SC-RJ panel mounting frame, IP67, for push-pull interlocking, metal, for rectangular mounting cutout, with seal and mounting screws, incl. SC-RJ coupling

Phoenix Contact 2024 © - all rights reserved

<https://www.phoenixcontact.com>

Phoenix Contact USA
586 Fulling Mill Road
Middletown, PA 17057, United States
(+717) 944-1300
info@phoenixcon.com