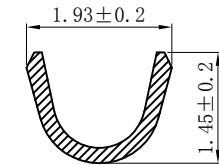
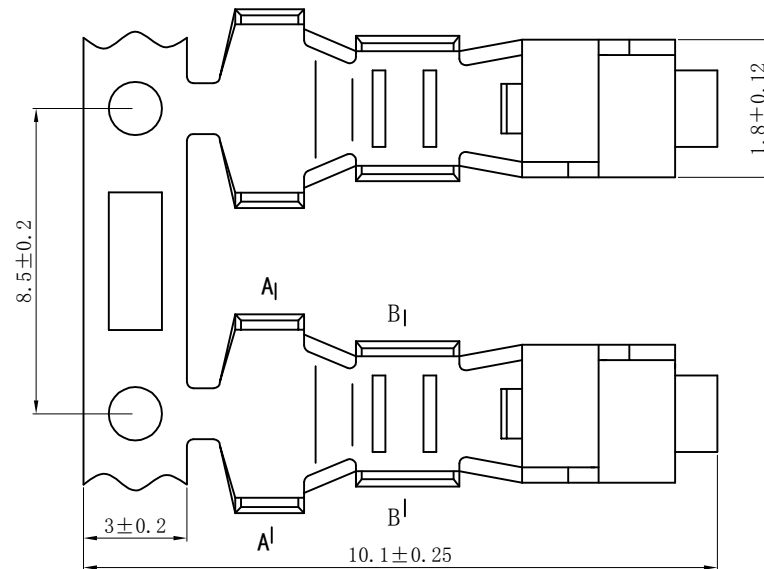


A-A



B-B

技术要求Specification:

- 1、材质 Material:C5191
- 2、表面处理 Surface Plating:SnSb
- 3、额定电流Current rating: 3A max
- 4、额定电压 Voltage rating: 250V AC/DC
- 5、温度范围 Temperature range:-25℃to+85℃
- 6、接触电阻 Contact resistance:≤20mΩ
- 7、绝缘电阻 Insulation resistance:≥1000MΩ
- 8、耐压 Withstand voltage:1000V AC/minute
- 9、适配的插头/插座 Adaptable plug/Adaptable socket:HX25002-Y
- 10、端子表面平整,无裂纹、毛刺等缺陷;

镀层无脱落、起皮、发黄等缺陷;

The surface of the terminals is smooth without cracks and burrs.

The coating has no defects such as abscission, peeling and oxidable.

未注公差表 UNTOLERANCE TABLE		设计 DRAWN BY	王鹏程		产品名称 PRODUCT NAME	端子 TERMINAL
≤3	±0.1	审核 CHECKED BY	郑建银		产品型号 PRODUCT MODEL	XH-PT
≤10	±0.2		批准 APPROVED BY			
≤20	±0.3	日期 DATE		2019.03.14	红星代号 HONGXING NO	HX25002-PT
≤40	±0.4	视图 VIEW	比例 SCALE	单位 UNIT	版次 VERSION	页码 SHEET
≤80	±0.5	10:1	mm	A	1/1	
					 <b>浙江红星电业有限公司</b> Zhejiang Hongxing Electrical Co., Ltd.	