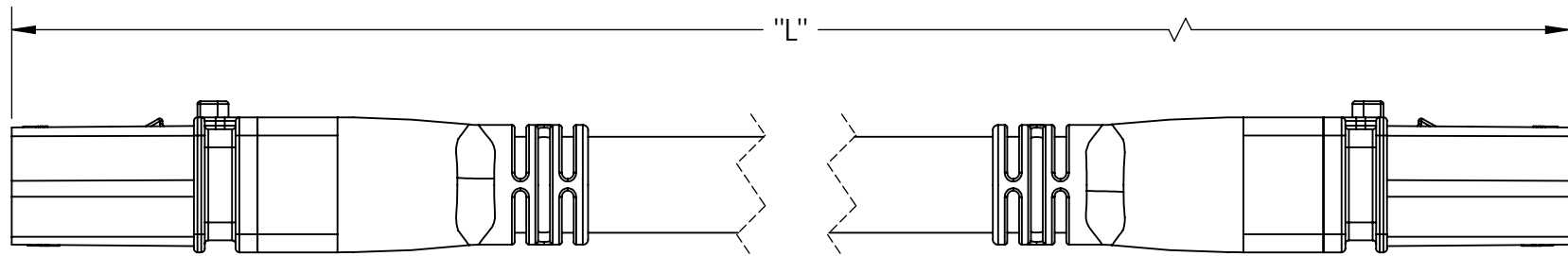


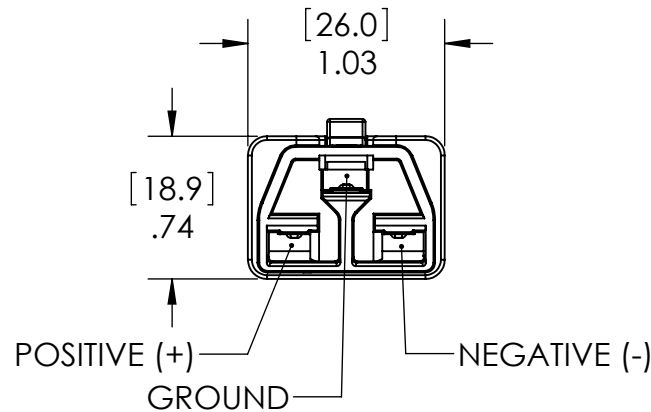
THE INFORMATION CONTAINED IN THIS DRAWING IS THE SOLE PROPERTY OF ANDERSON POWER PRODUCTS. ANY REPRODUCTION IN PART OR WHOLE WITHOUT THE WRITTEN PERMISSION OF ANDERSON POWER PRODUCTS IS PROHIBITED.

Copyright 2009

ANDERSON POWER PRODUCTS RESERVES THE RIGHT TO ALTER PRODUCT TYPES, THEIR TECHNICAL DATA, DIMENSION, STYLE AND ACCESSORIES WITHOUT PRIOR NOTIFICATION.



DOUBLE-ENDED PLUG ASSEMBLY



SINGLE-ENDED PLUG ASSEMBLY

PART NUMBERS		LENGTH "L"		WIRE SIZE	NOMINAL ϕ SEE NOTE 2
SINGLE-ENDED	DOUBLE-ENDED	M	FT		
2000G2	2001G2	2.00	6.56	#14 AWG	[13.5] .53
2000G3	2001G3	3.00	9.84		
2000G5	2001G5	5.00	16.40		
2000G6	2001G6	6.00	19.68		

NOTES:

- CABLES ARE 3-CONDUCTOR, SOOW JACKET, UL RATED TO 600V/90°C
- NOMINAL DIAMETER IS FOR REFERENCE ONLY

REV.	DESCRIPTION	APPRV	DATE
5	ECRN 14711	NTS	9/27/2010
4	ECRN 14655	NTS	7/2/10
3	ECRN 14600	NTS	4/8/10
2	ECRN 14475	AMS	8/14/09
1	ECRN 14428	AMS	5/4/09

REVISIONS

DIMENSIONS ARE IN:	INCH [MM]	APPROVALS		ANDERSON POWER PRODUCTS
UNLESS OTHERWISE STATED		DRAWN	AMS 4/27/2009	
TOLERANCES:		CHECKED	DJD 4/27/2009	
DECIMALS (INCH) .XX ±.02	DECIMALS (MM) .X ±.5	MFG APPRV	CHB 4/27/2009	
ANGLES ±2°		QC APPRV	UFN 4/27/2009	
SURFACE FINISH:		ENG APPRV	DAM 4/27/2009	SIZE A
MACHINED 128 [3.2] ✓				DWG NO. 114869S1
MOLDED 64 [1.6] ✓				REV. 5
MATERIAL: POLYCARBONATE OVERMOLDED WITH THERMOPLASTIC ELASTOMER				SCALE NONE
FINISH: N/A				CADFILE 02906
3rd ANGLE PROJECTION				SHEET 1 OF 1

Mouser Electronics

Authorized Distributor

Click to View Pricing, Inventory, Delivery & Lifecycle Information:

[Anderson Power Products:](#)

[2000g6](#) [2001G2](#) [2001G3](#) [2001G6](#)