

# Customer Information Sheet

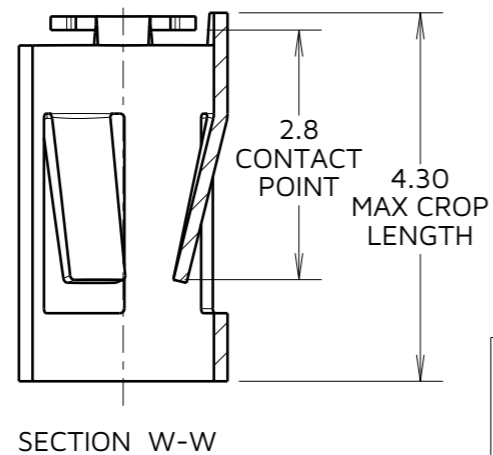
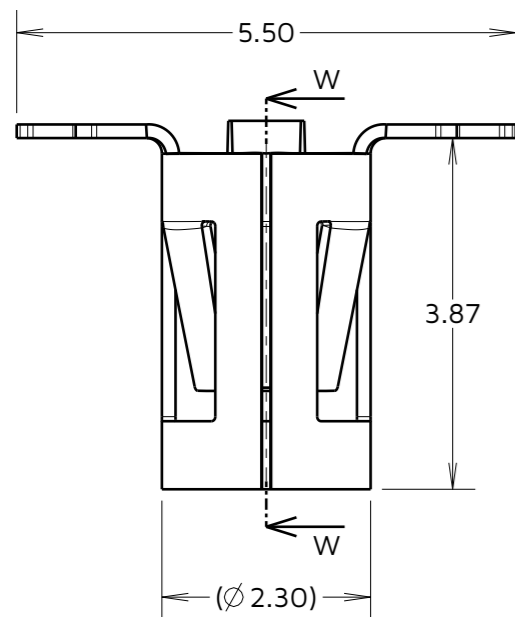
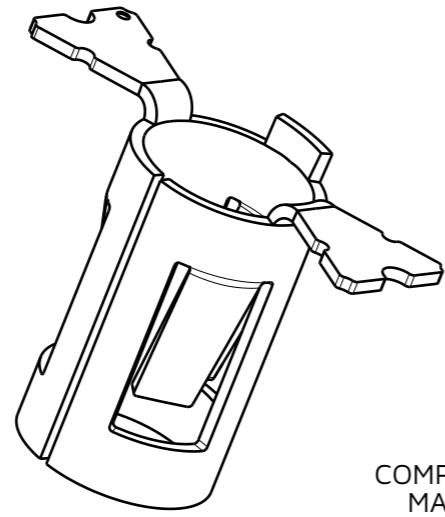
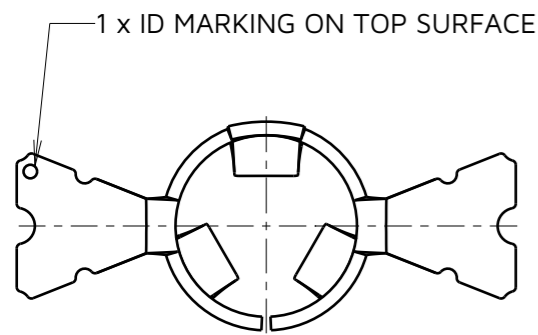
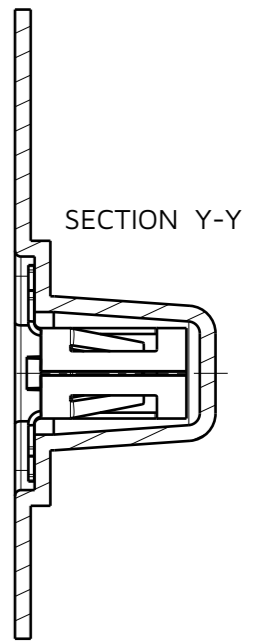
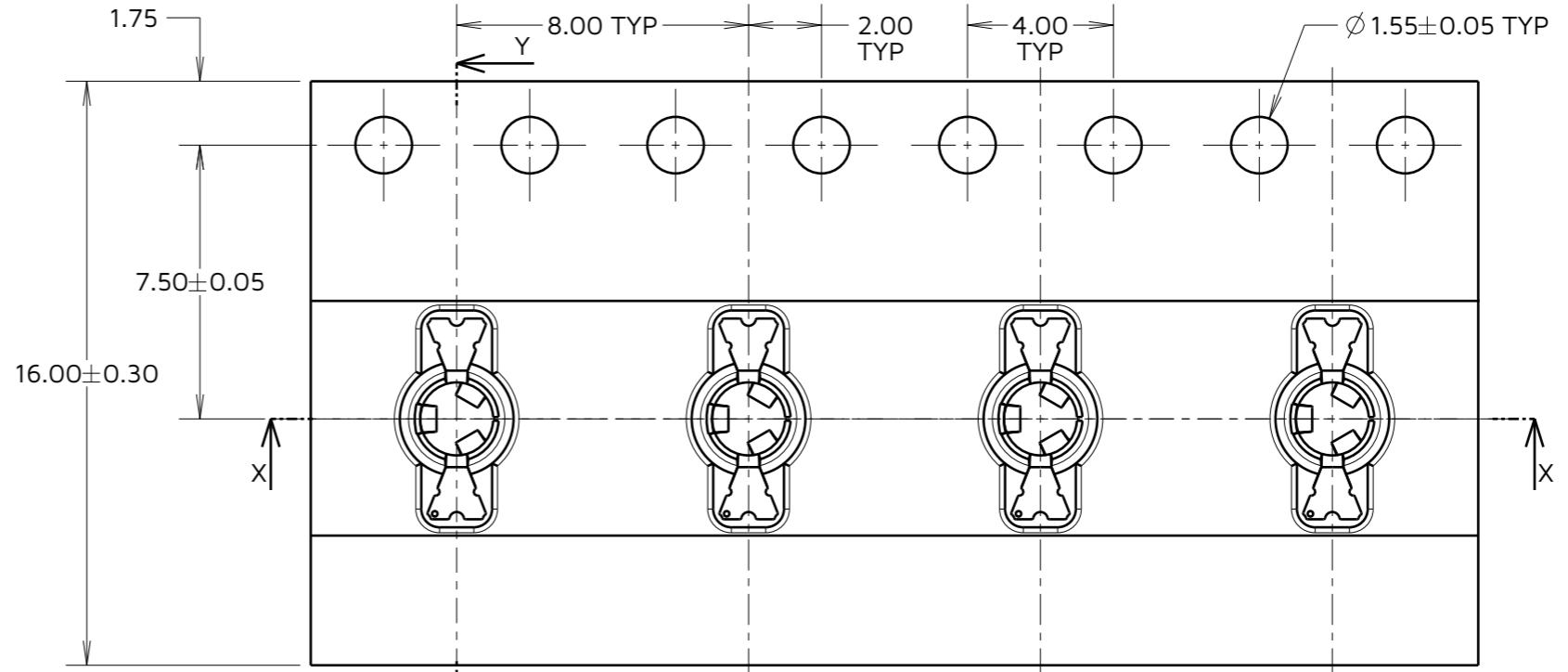
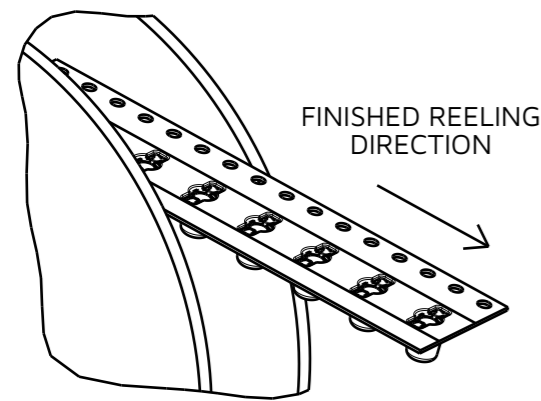
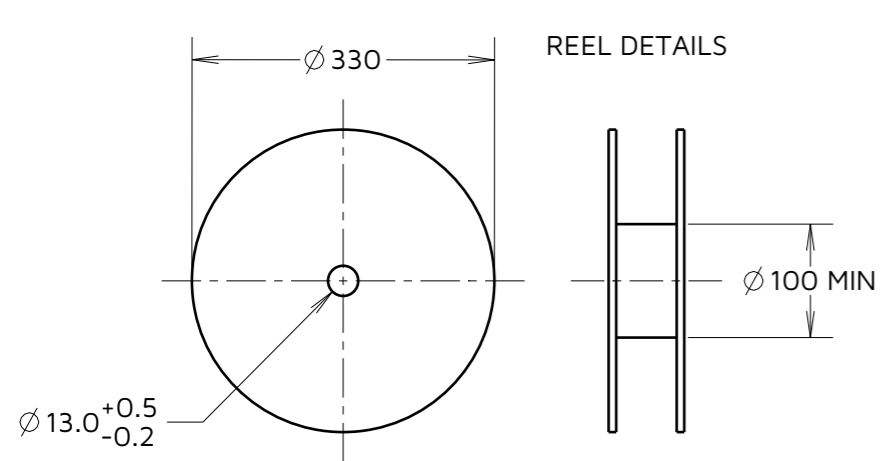
IF IN DOUBT - ASK

©

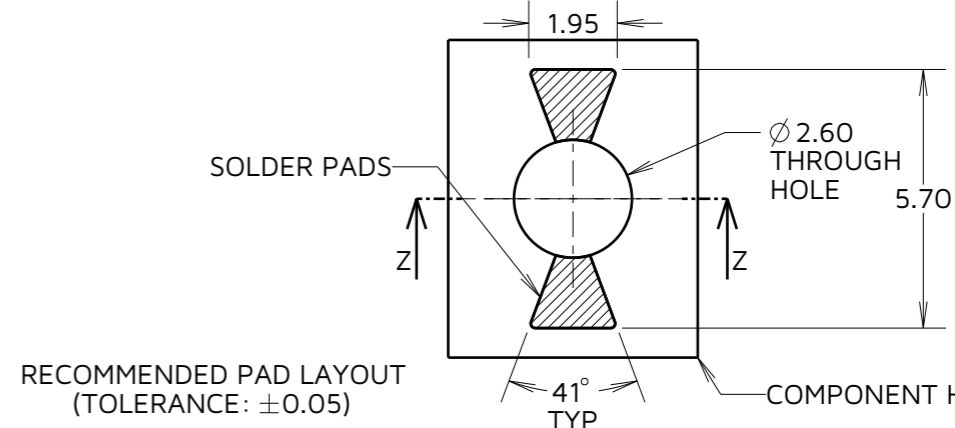
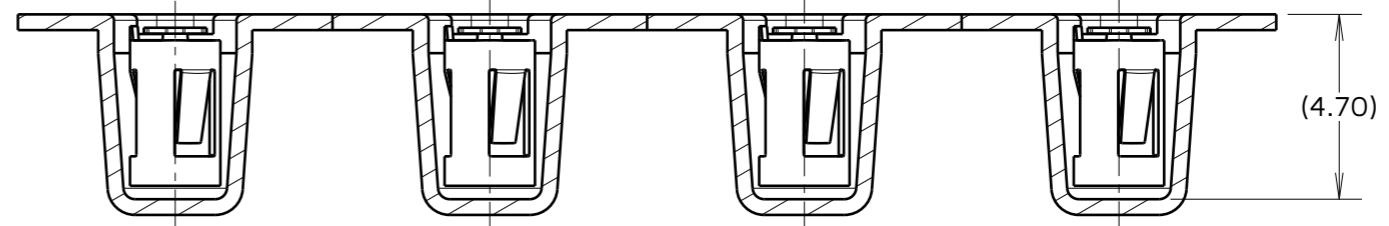
NOT TO SCALE

THIRD ANGLE PROJECTION

ALL DIMENSIONS IN mm



COMPONENT SPECIFICATION  
 MATERIAL = BERYLLIUM COPPER  
 FINISH = GOLD OVER NICKEL  
 ELECTRICAL:  
 CURRENT RATING = 6A  
 CONTACT RESISTANCE = 15mΩ MAX  
 MECHANICAL:  
 MAX INSERTION FORCE:  
 Ø 1.50mm PIN = 3.5N  
 Ø 1.90mm PIN = 17.0N  
 MIN WITHDRAWAL FORCE:  
 Ø 1.50mm PIN = 0.5N  
 Ø 1.90mm PIN = 1.0N  
 DURABILITY = 500 CYCLES  
 ENVIRONMENTAL:  
 OPERATING TEMPERATURE = -50°C TO +125°C



NOTES:  
 1. QUANTITY OF COMPONENTS PER REEL = 1400.  
 2. THIS PRODUCT IS TAPED AND REELED IN GENERAL ACCORDANCE WITH EIA-481-2 (ELECTRONICS INDUSTRIES ASSOCIATION).

RTP	7	29.05.24	34137
NAME	ISS.	DATE	CN/CO
APPROVED:		R.PORTLOCK	
CHECKED:		F.CHRISPINE	
DRAWN:		S.BENNETT	
ASSEMBLY DRG:			

**HARWIN**

www.harwin.com

TOLERANCES  
 X. = ±1mm  
 X.X = ±0.50mm  
 X.XX = ±0.20mm  
 X.XXX = ±0.01mm  
 ANGLES = ±5°  
 UNLESS STATED

THIS DRAWING AND ANY INFORMATION OR DESCRIPTIVE MATTER SET OUT HEREON ARE CONFIDENTIAL AND COPYRIGHT PROPERTY OF THE HARWIN GROUP AND MUST NOT BE DISCLOSED, LOANED, COPIED OR USED FOR MANUFACTURING, TENDERING OR FOR ANY OTHER PURPOSE WITHOUT THEIR WRITTEN PERMISSION.

MATERIAL:  
 SEE ABOVE

TITLE: SYCAMORE CONTACT  
 Ø 1.50mm TOP ENTRY SOCKET  
 IN TAPE & REEL

DRAWING NUMBER: S9111-45R

SHT  
 2 OF 2