

VS-PPC-F1-RJ45-P0BK-1R-PHA - Panel mounting frames



1657847

<https://www.phoenixcontact.com/us/products/1657847>

Please be informed that the data shown in this PDF document is generated from our online catalog. Please find the complete data in the user documentation. Our general terms of use for downloads are valid.



RJ45 panel mounting frame, IP67, for push-pull interlocking, plastic, for PCB connection, for square panel cutout, with grommet, without mounting screws

Commercial data

Item number	1657847
Packing unit	1 pc
Minimum order quantity	1 pc
Sales key	AB17
Product key	ABNODC
Catalog page	Page 85 (C-2-2013)
GTIN	4046356131919
Weight per piece (including packing)	5.6 g
Weight per piece (excluding packing)	5.5 g
Customs tariff number	85366990
Country of origin	DE

VS-PPC-F1-RJ45-P0BK-1R-PHA - Panel mounting frames



1657847

<https://www.phoenixcontact.com/us/products/1657847>

Technical data

Notes

General	This product corresponds to the PROFINET Cabling and Interconnection Technology Guideline for PROFINET regulations, version 2.00, order no: 2.252, Chapter 8.2 Connectors for Outside Environment (Balanced cabling) and chapter 13 Application specific Cabling and Interconnection Technology (AIDA)
---------	--

Product properties

Product type	Panel mounting frame
Application	RJ45 PCB connection
Type	Version 14
Number of positions	8
Connection profile	RJ45
Type	RJ45

Insulation characteristics

Degree of pollution	2
---------------------	---

Electrical properties

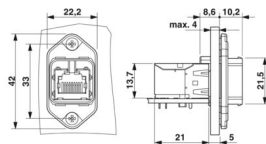
Transmission medium	Copper
---------------------	--------

Connection data

Connection technology

Connection method	Spring-cage connection
-------------------	------------------------

Dimensions

Dimensional drawing	
Width	22.2 mm
Height	42 mm
Length	18.8 mm

Material specifications

Color	black
Material	Plastic
Flammability rating according to UL 94	V0
Seal material	NBR
Housing material	Plastic
Housing surface material	PA, light gray

VS-PPC-F1-RJ45-P0BK-1R-PHA - Panel mounting frames



1657847

<https://www.phoenixcontact.com/us/products/1657847>

Contact surface material	Au/Ni
Contact carrier material	Polyester GF

Mechanical properties

Mechanical data

Insertion/withdrawal cycles	≥ 500
-----------------------------	-------

Environmental and real-life conditions

Ambient conditions

Degree of protection	IP65/IP67
Ambient temperature (operation)	-40 °C ... 70 °C

Mounting

Mounting type	Front mounting
---------------	----------------

VS-PPC-F1-RJ45-P0BK-1R-PHA - Panel mounting frames

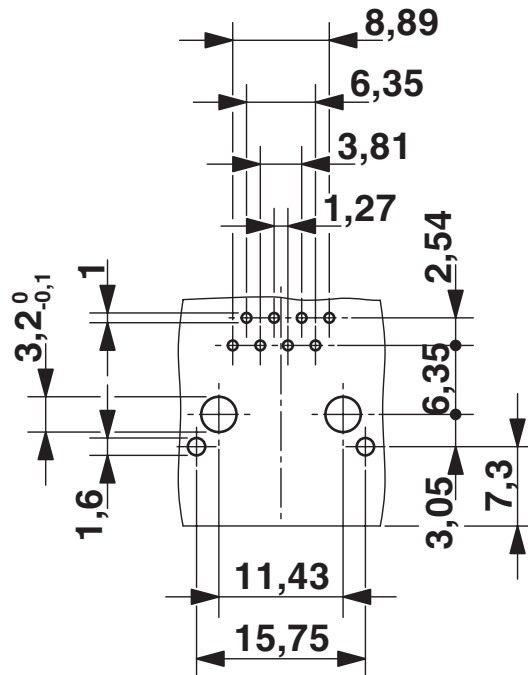


1657847

<https://www.phoenixcontact.com/us/products/1657847>

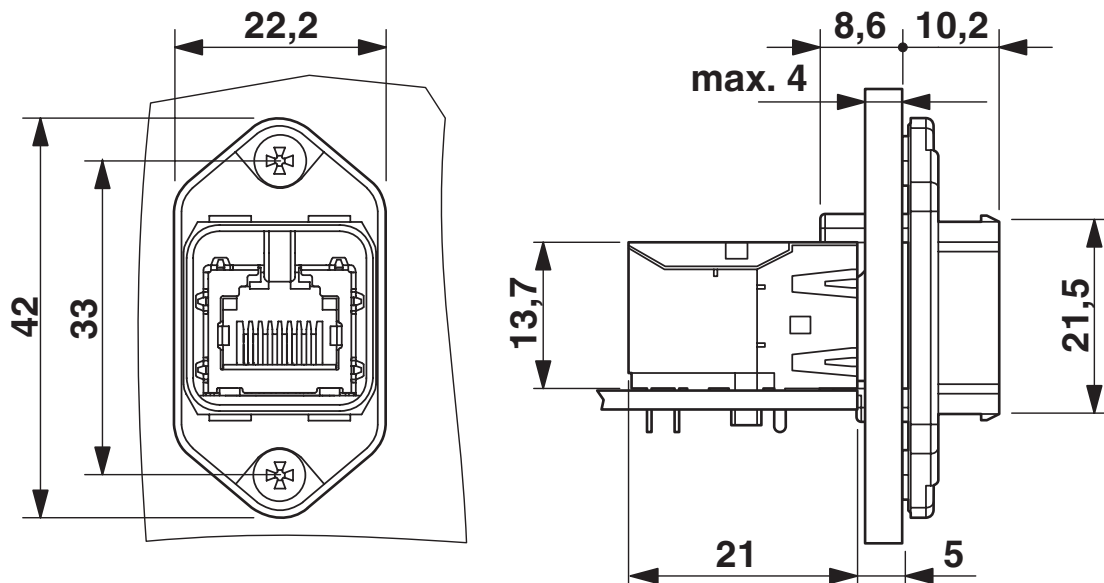
Drawings

Drilling plan/solder pad geometry



Drilling diagram

Dimensional drawing



Push-Pull panel mounting frame RJ45

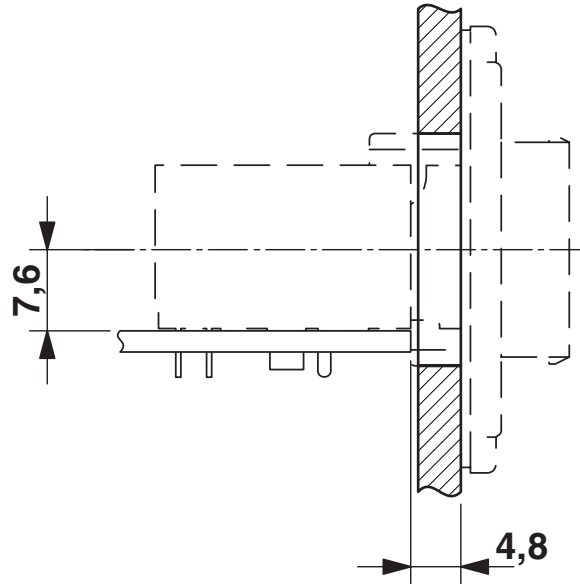
VS-PPC-F1-RJ45-P0BK-1R-PHA - Panel mounting frames



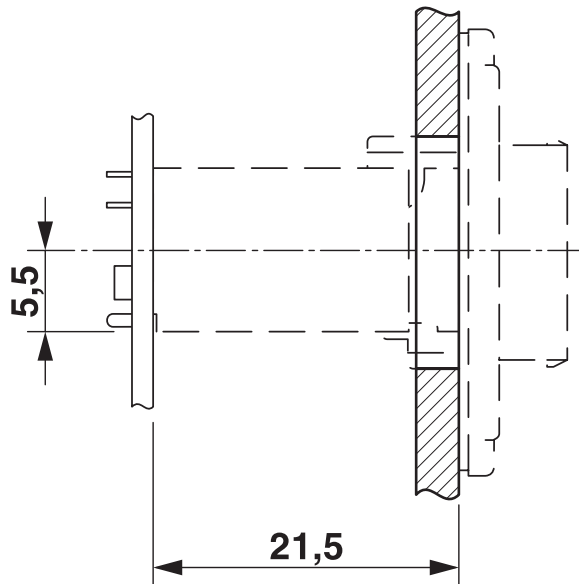
1657847

<https://www.phoenixcontact.com/us/products/1657847>

Dimensional drawing



Dimensional drawing



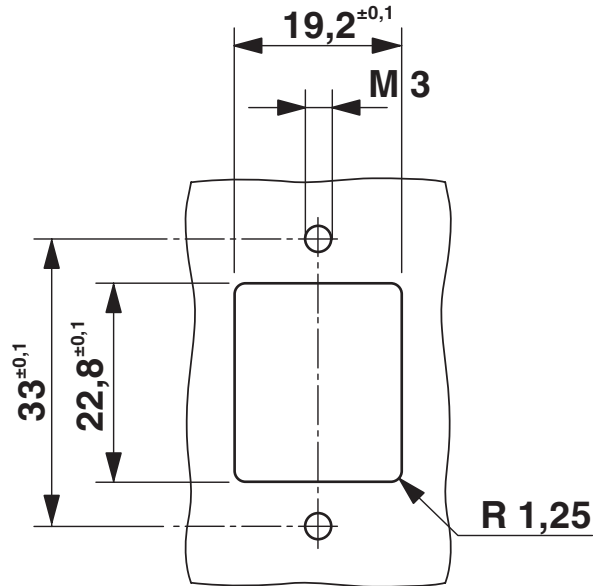
VS-PPC-F1-RJ45-P0BK-1R-PHA - Panel mounting frames



1657847

<https://www.phoenixcontact.com/us/products/1657847>

Dimensional drawing



Mounting cutout

VS-PPC-F1-RJ45-P0BK-1R-PHA - Panel mounting frames



1657847

<https://www.phoenixcontact.com/us/products/1657847>

Classifications

ECLASS

ECLASS-11.0	27440210
ECLASS-12.0	27440210
ECLASS-13.0	27440210

ETIM

ETIM 9.0	EC002310
----------	----------

UNSPSC

UNSPSC 21.0	39121400
-------------	----------

VS-PPC-F1-RJ45-P0BK-1R-PHA - Panel mounting frames



1657847

<https://www.phoenixcontact.com/us/products/1657847>

Environmental product compliance

EU RoHS

Fulfills EU RoHS substance requirements	Yes, No exemptions
---	--------------------

China RoHS

Environment friendly use period (EFUP)	EFUP-E
	No hazardous substances above the limits

EU REACH SVHC

REACH candidate substance (CAS No.)	No substance above 0.1 wt%
-------------------------------------	----------------------------

VS-PPC-F1-RJ45-P0BK-1R-PHA - Panel mounting frames



1657847

<https://www.phoenixcontact.com/us/products/1657847>

Accessories

VS-08-BU-RJ45-6/LH-1 - RJ45 PCB connectors

1653087

<https://www.phoenixcontact.com/us/products/1653087>

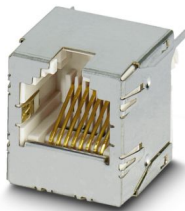


RJ45 PCB connectors, design: RJ45, degree of protection: IP20, number of positions: 8, 1 Gbps, CAT5 (IEC 11801:2002), material: Metal, connection method: THT wave, cable outlet: straight

VS-08-BU-RJ45-6/LV-1 - RJ45 PCB connectors

1653090

<https://www.phoenixcontact.com/us/products/1653090>



RJ45 PCB connectors, design: RJ45, degree of protection: IP20, number of positions: 8, material: Metal, connection method: THT wave, cable outlet: straight

Phoenix Contact 2024 © - all rights reserved

<https://www.phoenixcontact.com>

Phoenix Contact USA
586 Fulling Mill Road
Middletown, PA 17057, United States
(+717) 944-1300
info@phoenixcon.com