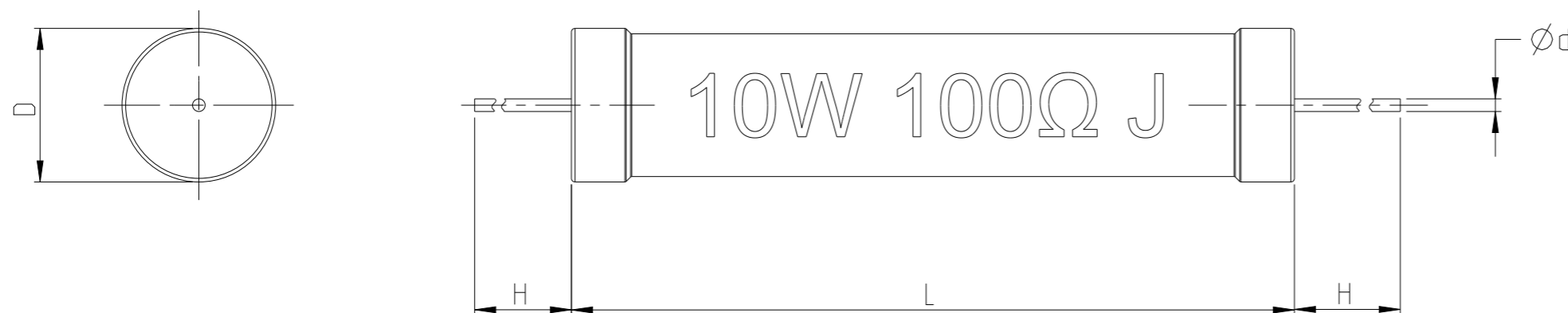


REVISIONS

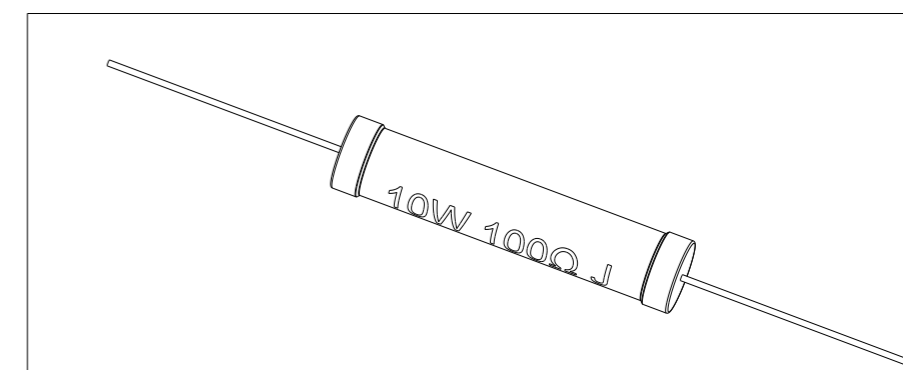
P	LTR	DESCRIPTION	DATE	DWN	APVD
	BA	NEW DRAWING	21MAR2023	DM	AP
	BA1	CLARIFICATION TO DIMENSION	07JUL2023	DM	AP

FOR FUTHER INFORMATION SEE DATA SHEET FOR WIREWOUND ANTI-SURGE RESISTOR TYPE EP SERIES



BA1

TYPE	POWER RATING	D ± 1 (mm)	L ± 1 (mm)	d ± 0.05 (mm)	H ± 3 (mm)
EP10W SS	10W -SS	8.5	40	0.75	38



THIS DRAWING IS A CONTROLLED DOCUMENT.

DWN 21MAR2023 DHEERAJ M

CHK 21MAR2023 ALLAN P

APVD 21MAR2023 ALLAN P

PRODUCT SPEC

APPLICATION SPEC

WEIGHT

CUSTOMER DRAWING



NAME WIREWOUND ANTI-SURGE RESISTOR TYPE EP 10W SS SERIES

SIZE	CAGE CODE	DRAWING NO	RESTRICTED TO
------	-----------	------------	---------------

A3	00779	C=2176614	-
----	-------	-----------	---

SCALE 1:1	SHEET 1 OF 3	REV BA1
-----------	--------------	---------

DIMENSIONS:	TOLERANCES UNLESS OTHERWISE SPECIFIED:
mm	
	0 PLC ±
	1 PLC ±
	2 PLC ±
	3 PLC ±
	4 PLC ±
MATERIAL	FINISH ±1°
-	-

REVISIONS

P	LTR	DESCRIPTION	DATE	DWN	APVD
	-	SEE SHEET 1	-	-	-

SCHEDULE

TCPN	CATALOGUE NUMBER	PART DESCRIPTION	PART STATUS
2176614-1	EP10W SS1R0JBB	EP 10W (SS) 1R0 5% BULK BOX	PRODUCTION
2176614-2	EP10W SS1R1JBB	EP 10W (SS) 1R1 5% BULK BOX	PRODUCTION
2176614-3	EP10W SS1R2JBB	EP 10W (SS) 1R2 5% BULK BOX	PRODUCTION
2176614-4	EP10W SS1R3JBB	EP 10W (SS) 1R3 5% BULK BOX	PRODUCTION
2176614-5	EP10W SS1R5JBB	EP 10W (SS) 1R5 5% BULK BOX	PRODUCTION
2176614-6	EP10W SS1R6JBB	EP 10W (SS) 1R6 5% BULK BOX	PRODUCTION
2176614-7	EP10W SS1R8JBB	EP 10W (SS) 1R8 5% BULK BOX	PRODUCTION
2176614-8	EP10W SS2R0JBB	EP 10W (SS) 2R0 5% BULK BOX	PRODUCTION
2176614-9	EP10W SS2R2JBB	EP 10W (SS) 2R2 5% BULK BOX	PRODUCTION
1-2176614-0	EP10W SS2R4JBB	EP 10W (SS) 2R4 5% BULK BOX	PRODUCTION
1-2176614-1	EP10W SS2R7JBB	EP 10W (SS) 2R7 5% BULK BOX	PRODUCTION
1-2176614-2	EP10W SS3R0JBB	EP 10W (SS) 3R0 5% BULK BOX	PRODUCTION
1-2176614-3	EP10W SS3R3JBB	EP 10W (SS) 3R3 5% BULK BOX	PRODUCTION
1-2176614-4	EP10W SS3R6JBB	EP 10W (SS) 3R6 5% BULK BOX	PRODUCTION
1-2176614-5	EP10W SS3R9JBB	EP 10W (SS) 3R9 5% BULK BOX	PRODUCTION
1-2176614-6	EP10W SS4R3JBB	EP 10W (SS) 4R3 5% BULK BOX	PRODUCTION
1-2176614-7	EP10W SS4R7JBB	EP 10W (SS) 4R7 5% BULK BOX	PRODUCTION
1-2176614-8	EP10W SS5R1JBB	EP 10W (SS) 5R1 5% BULK BOX	PRODUCTION
1-2176614-9	EP10W SS5R6JBB	EP 10W (SS) 5R6 5% BULK BOX	PRODUCTION
2-2176614-0	EP10W SS6R2JBB	EP 10W (SS) 6R2 5% BULK BOX	PRODUCTION
2-2176614-1	EP10W SS6R8JBB	EP 10W (SS) 6R8 5% BULK BOX	PRODUCTION
2-2176614-2	EP10W SS7R5JBB	EP 10W (SS) 7R5 5% BULK BOX	PRODUCTION
2-2176614-3	EP10W SS8R2JBB	EP 10W (SS) 8R2 5% BULK BOX	PRODUCTION
2-2176614-4	EP10W SS9R1JBB	EP 10W (SS) 9R1 5% BULK BOX	PRODUCTION
2-2176614-5	EP10W SS10R JBB	EP 10W (SS) 10R 5% BULK BOX	PRODUCTION
2-2176614-6	EP10W SS11R JBB	EP 10W (SS) 11R 5% BULK BOX	PRODUCTION
2-2176614-7	EP10W SS12R JBB	EP 10W (SS) 12R 5% BULK BOX	PRODUCTION
2-2176614-8	EP10W SS13R JBB	EP 10W (SS) 13R 5% BULK BOX	PRODUCTION
2-2176614-9	EP10W SS15R JBB	EP 10W (SS) 15R 5% BULK BOX	PRODUCTION
3-2176614-0	EP10W SS16R JBB	EP 10W (SS) 16R 5% BULK BOX	PRODUCTION
3-2176614-1	EP10W SS18R JBB	EP 10W (SS) 18R 5% BULK BOX	PRODUCTION
3-2176614-2	EP10W SS20R JBB	EP 10W (SS) 20R 5% BULK BOX	PRODUCTION
3-2176614-3	EP10W SS22R JBB	EP 10W (SS) 22R 5% BULK BOX	PRODUCTION

SCHEDULE

TCPN	CATALOGUE NUMBER	PART DESCRIPTION	PART STATUS
3-2176614-4	EP10W SS24R JBB	EP 10W (SS) 24R 5% BULK BOX	PRODUCTION
3-2176614-5	EP10W SS27R JBB	EP 10W (SS) 27R 5% BULK BOX	PRODUCTION
3-2176614-6	EP10W SS30R JBB	EP 10W (SS) 30R 5% BULK BOX	PRODUCTION
3-2176614-7	EP10W SS33R JBB	EP 10W (SS) 33R 5% BULK BOX	PRODUCTION
3-2176614-8	EP10W SS36R JBB	EP 10W (SS) 36R 5% BULK BOX	PRODUCTION
3-2176614-9	EP10W SS39R JBB	EP 10W (SS) 39R 5% BULK BOX	PRODUCTION
4-2176614-0	EP10W SS43R JBB	EP 10W (SS) 43R 5% BULK BOX	PRODUCTION
4-2176614-1	EP10W SS47R JBB	EP 10W (SS) 47R 5% BULK BOX	PRODUCTION
4-2176614-2	EP10W SS51R JBB	EP 10W (SS) 51R 5% BULK BOX	PRODUCTION
4-2176614-3	EP10W SS56R JBB	EP 10W (SS) 56R 5% BULK BOX	PRODUCTION
4-2176614-4	EP10W SS62R JBB	EP 10W (SS) 62R 5% BULK BOX	PRODUCTION
4-2176614-5	EP10W SS68R JBB	EP 10W (SS) 68R 5% BULK BOX	PRODUCTION
4-2176614-6	EP10W SS75R JBB	EP 10W (SS) 75R 5% BULK BOX	PRODUCTION
4-2176614-7	EP10W SS82R JBB	EP 10W (SS) 82R 5% BULK BOX	PRODUCTION
4-2176614-8	EP10W SS91R JBB	EP 10W (SS) 91R 5% BULK BOX	PRODUCTION
4-2176614-9	EP10W SS100R JBB	EP 10W (SS) 100R 5% BULK BOX	PRODUCTION
5-2176614-0	EP10W SS110R JBB	EP 10W (SS) 110R 5% BULK BOX	PRODUCTION
5-2176614-1	EP10W SS120R JBB	EP 10W (SS) 120R 5% BULK BOX	PRODUCTION
5-2176614-2	EP10W SS130R JBB	EP 10W (SS) 130R 5% BULK BOX	PRODUCTION
5-2176614-3	EP10W SS150R JBB	EP 10W (SS) 150R 5% BULK BOX	PRODUCTION
5-2176614-4	EP10W SS160R JBB	EP 10W (SS) 160R 5% BULK BOX	PRODUCTION
5-2176614-5	EP10W SS180R JBB	EP 10W (SS) 180R 5% BULK BOX	PRODUCTION
5-2176614-6	EP10W SS200R JBB	EP 10W (SS) 200R 5% BULK BOX	PRODUCTION
5-2176614-7	EP10W SS220R JBB	EP 10W (SS) 220R 5% BULK BOX	PRODUCTION
5-2176614-8	EP10W SS240R JBB	EP 10W (SS) 240R 5% BULK BOX	PRODUCTION
5-2176614-9	EP10W SS270R JBB	EP 10W (SS) 270R 5% BULK BOX	PRODUCTION
6-2176614-0	EP10W SS300R JBB	EP 10W (SS) 300R 5% BULK BOX	PRODUCTION
6-2176614-1	EP10W SS330R JBB	EP 10W (SS) 330R 5% BULK BOX	PRODUCTION
6-2176614-2	EP10W SS360R JBB	EP 10W (SS) 360R 5% BULK BOX	PRODUCTION
6-2176614-3	EP10W SS390R JBB	EP 10W (SS) 390R 5% BULK BOX	PRODUCTION
6-2176614-4	EP10W SS430R JBB	EP 10W (SS) 430R 5% BULK BOX	PRODUCTION
6-2176614-5	EP10W SS470R JBB	EP 10W (SS) 470R 5% BULK BOX	PRODUCTION
6-2176614-6	EP10W SS510R JBB	EP 10W (SS) 510R 5% BULK BOX	PRODUCTION

THIS DRAWING IS A CONTROLLED DOCUMENT.

DIMENSIONS:
mm



MATERIAL

TOLERANCES UNLESS OTHERWISE SPECIFIED:

- 0 PLC ±
- 1 PLC ±
- 2 PLC ±
- 3 PLC ±
- 4 PLC ±
- ANGLES ±°
- FINISH -

DWN 21MAR2023

CHK DHEERAJ M 21MAR2023

APVD ALLAN P 21MAR2023

PRODUCT SPEC

APPLICATION SPEC

WEIGHT -

CUSTOMER DRAWING



TE Connectivity

NAME
WIREWOUND ANTI-SURGE RESISTOR
TYPE EP 10W SS SERIES

SIZE CAGE CODE DRAWING NO RESTRICTED TO

A3 00779 C-2176614


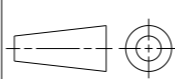
SCALE 1:1 SHEET 2 OF 3 REV BA1

REVISIONS

P	LTR	DESCRIPTION	DATE	DWN	APVD
-		SEE SHEET 1	-	-	-

SCHEDULE

TCPN	CATALOGUE NUMBER	PART DESCRIPTION	PART STATUS
6-2176614-7	EP10W SS560RJBB	EP 10W (SS) 560R 5% BULK BOX	PRODUCTION
6-2176614-8	EP10W SS620RJBB	EP 10W (SS) 620R 5% BULK BOX	PRODUCTION
6-2176614-9	EP10W SS680RJBB	EP 10W (SS) 680R 5% BULK BOX	PRODUCTION
7-2176614-0	EP10W SS750RJBB	EP 10W (SS) 750R 5% BULK BOX	PRODUCTION
7-2176614-1	EP10W SS820RJBB	EP 10W (SS) 820R 5% BULK BOX	PRODUCTION
7-2176614-2	EP10W SS910RJBB	EP 10W (SS) 910R 5% BULK BOX	PRODUCTION
7-2176614-3	EP10W SS1K0JBB	EP 10W (SS) 1K0 5% BULK BOX	PRODUCTION
7-2176614-4	EP10W SS1K1JBB	EP 10W (SS) 1K1 5% BULK BOX	PRODUCTION
7-2176614-5	EP10W SS1K2JBB	EP 10W (SS) 1K2 5% BULK BOX	PRODUCTION
7-2176614-6	EP10W SS1K3JBB	EP 10W (SS) 1K3 5% BULK BOX	PRODUCTION
7-2176614-7	EP10W SS1K5JBB	EP 10W (SS) 1K5 5% BULK BOX	PRODUCTION
7-2176614-8	EP10W SS1K6JBB	EP 10W (SS) 1K6 5% BULK BOX	PRODUCTION
7-2176614-9	EP10W SS1K8JBB	EP 10W (SS) 1K8 5% BULK BOX	PRODUCTION
8-2176614-0	EP10W SS2K0JBB	EP 10W (SS) 2K0 5% BULK BOX	PRODUCTION
8-2176614-1	EP10W SS2K2JBB	EP 10W (SS) 2K2 5% BULK BOX	PRODUCTION
8-2176614-2	EP10W SS2K4JBB	EP 10W (SS) 2K4 5% BULK BOX	PRODUCTION
8-2176614-3	EP10W SS2K7JBB	EP 10W (SS) 2K7 5% BULK BOX	PRODUCTION
8-2176614-4	EP10W SS3K0JBB	EP 10W (SS) 3K0 5% BULK BOX	PRODUCTION
8-2176614-5	EP10W SS3K3JBB	EP 10W (SS) 3K3 5% BULK BOX	PRODUCTION
8-2176614-6	EP10W SS3K6JBB	EP 10W (SS) 3K6 5% BULK BOX	PRODUCTION
8-2176614-7	EP10W SS3K9JBB	EP 10W (SS) 3K9 5% BULK BOX	PRODUCTION
8-2176614-8	EP10W SS4K3JBB	EP 10W (SS) 4K3 5% BULK BOX	PRODUCTION
8-2176614-9	EP10W SS4K7JBB	EP 10W (SS) 4K7 5% BULK BOX	PRODUCTION
9-2176614-0	EP10W SS5K1JBB	EP 10W (SS) 5K1 5% BULK BOX	PRODUCTION
9-2176614-1	EP10W SS5K6JBB	EP 10W (SS) 5K6 5% BULK BOX	PRODUCTION
9-2176614-2	EP10W SS6K2JBB	EP 10W (SS) 6K2 5% BULK BOX	PRODUCTION
9-2176614-3	EP10W SS6K8JBB	EP 10W (SS) 6K8 5% BULK BOX	PRODUCTION
9-2176614-4	EP10W SS7K5JBB	EP 10W (SS) 7K5 5% BULK BOX	PRODUCTION
9-2176614-5	EP10W SS8K2JBB	EP 10W (SS) 8K2 5% BULK BOX	PRODUCTION
9-2176614-6	EP10W SS9K1JBB	EP 10W (SS) 9K1 5% BULK BOX	PRODUCTION
9-2176614-7	EP10W SS10KJBB	EP 10W (SS) 10K 5% BULK BOX	PRODUCTION

THIS DRAWING IS A CONTROLLED DOCUMENT.		DWN DHEERAJ M 21MAR2023	 TE Connectivity NAME WIREWOUND ANTI-SURGE RESISTOR TYPE EP 10W SS SERIES			
DIMENSIONS: mm		CHK ALLAN P 21MAR2023				
		APVD ALLAN P 21MAR2023				
TOLERANCES UNLESS OTHERWISE SPECIFIED:		PRODUCT SPEC	RESTRICTED TO			
0 PLC ± 1 PLC ± 2 PLC ± 3 PLC ± 4 PLC ± ANGLES ±1°		APPLICATION SPEC	SIZE	CAGE CODE	DRAWING NO	RESTRICTED TO
MATERIAL		WEIGHT	A3	00779	©=2176614	-
FINISH		CUSTOMER DRAWING		SCALE	SHEET	REV
				1:1	3 OF 3	BA1