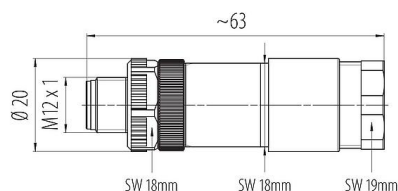


Product description	M12 Male cable duo connector, Contacts: 4, 2x cable Ø 2.1-3.0 mm or Ø 4.0-5.0 mm, unshielded, screw clamp, IP67, UL
Area	series 713
Part no.	99 0429 142 04

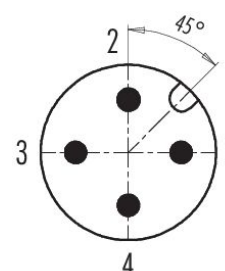
Illustration



Scale drawing



Contact arrangement (Plug-in side)



You can find the assembly instructions on the next page.

Technical data

General features

Part no.	99 0429 142 04
Connector design	Male cable duo connector
Type standard	DIN EN 61076-2-101
Version	Duo cable connectors
Connector locking system	screw
Termination	screw clamp
Degree of protection	IP67
Cross-sectional area	max. 0.75 mm ² / AWG 18
Cable outlet	2x cable Ø 2.1-3.0 mm or Ø 4.0-5.0 mm
Temperature range from/to	-40 °C / 85 °C
Mechanical operation	> 50 Mating cycles
Weight (g)	21.72
Customs tariff number	85369010
Country of Origin	DE

Electrical parameters

Rated voltage	250 V
Rated impulse voltage	2500 V
Rated current	4 A (3 A UL)
Insulation resistance	> 10 ⁸ Ω
Pollution degree	3
Overvoltage category	II

Product description	M12 Male cable duo connector, Contacts: 4, 2x cable Ø 2.1-3.0 mm or Ø 4.0-5.0 mm, unshielded, screw clamp, IP67, UL
Area	series 713
Part no.	99 0429 142 04

Insulating material group	III
EMC compliance	unshielded

Material

Housing material	PA
Contact body material	PA
Contact material	CuZn (brass)
Contact plating	CuSnZn (Optalloy)
Locking material	PA
REACH SVHC	CAS 7439-92-1 (Lead)
SCIP number	355c1186-2434-4b3c-aa78-8dc82f4e3cd7

Authorization/approvals

Approvals	UL
-----------	----

Classifications

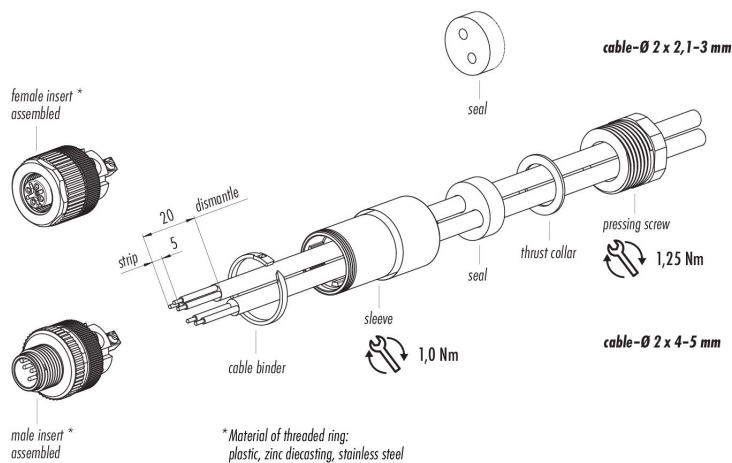
eCl@ss 11.1	27-44-01-02
ETIM 9.0	EC002635

Declarations of conformity

Low Voltage Directive	2014/35/EU (EN 60204-1:2018;EN 60529:1991)
-----------------------	--

Assembly instructions

1. Bead pressing screw, thrust collar, seal and sleeve to cable.
2. Dismantle cable.
3. Strip and screw on single wires:
4, 5 pole: 0.4 Nm, 8 pole: 0.2 Nm.
4. Fasten cable binder.
5. Screw sleeve to male/female insert.
6. Push seal and thrust collar into sleeve.
7. Tighten pressing screw.



Product description	M12 Male cable duo connector, Contacts: 4, 2x cable Ø Ø 2.1-3.0 mm or Ø 4.0-5.0 mm, unshielded, screw clamp, IP67, UL
Area	series 713
Part no.	99 0429 142 04

Security notices

The connector must not be plugged or unplugged under load. Non-observance and improper use can result in personal injury.

The connectors have been developed for applications in plant engineering, control and electrical equipment construction. The user is responsible for checking whether the connectors can also be used in other areas of application.

Connectors which are used in circuits with voltages dangerous to the touch may only be installed and used by, or under the supervision of, persons with electrical engineering training, taking into account the applicable regulations and standards.

The user must take suitable safety precautions to ensure that the connector cannot be accidentally disconnected.

Plug connectors with enclosure protection IP67 and IP68 are not suitable for use under water. When used outdoors, the plug connectors must be protected separately against corrosion. For further information on the IP protection classes, please refer to the "Technical Information" download centre.

The plug connector is not suitable for mains voltages. Please observe the pollution degree and the overvoltage category. For further information, please refer to the download center "Technical Information".

To lock the cable connector with the device connector, the threaded ring is tightened "hand-tight" (approx. 60 cNm).