

规格说明: Specifications:

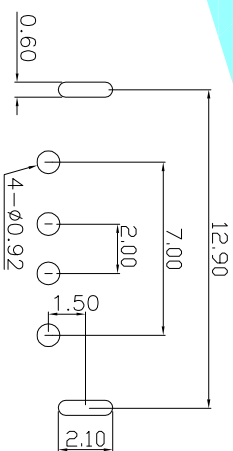
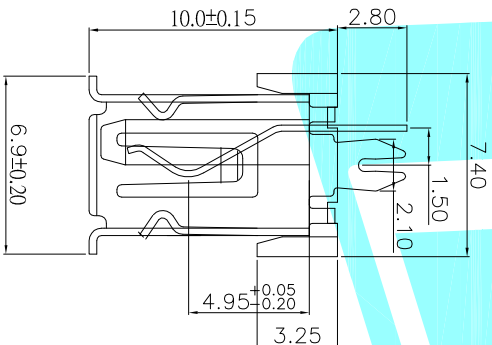
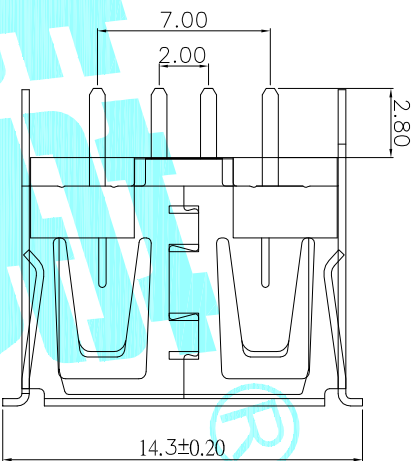
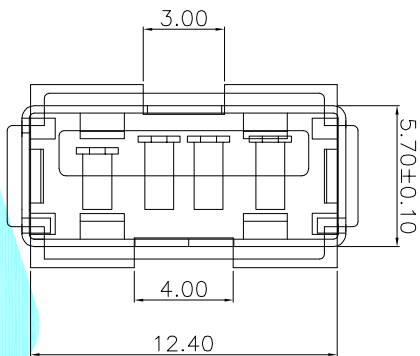
电气特性: Electrical:

1. 额定电流: Current Rating
1.5A/contact terminal
2. 额定电压: Voltage Rating
30V DC
3. 接触阻抗: Contact Resistance
30 milliohms MAX
4. 耐电压: Dielectric Withstanding Voltage:
500 V AC AT Sea Level
5. 绝缘阻抗: Insulation Resistance:
1000MEGA ohms MIN

物理性能: Mechanical:

1. 插拔力: Connector Mate and Unmate Force
Mate force: 3.57kgf(MAX)
Unmate force: 1.02kgf(MIN)
 2. 端子保持力: Terminal Retention
1.0kgf(MIN)
- 原材料: Material:
1. 塑胶: Housing: Hing Temperature Thermoplastics,
 2. 端子: Contact: Copper Alloy C2680
 3. 外壳: Shell: Copper Alloy C2680/SPCC
- 电镀: Finish:
1. 端子: Contact: Plated Gold in Mating Area;
Tin On Solder Tails
 2. 外壳: Shell: 端子四周镀50U”(MIN)镍, 镀金区域镀100—200U”镀金1U”
镍壳四周镀80U”(MIN)镍

Nickel Plating



Recommended PCB Layout

③	Base	—	1	NYLON		
②	Terminal	—	4	Phosphor Bronze	Ag Plated	
①	Housing	—	1	SPCC	Sn Plated	
ITEM	PART NAME	TER'NO.	QTY.	MATERIAL	FINISHING	REMARK

APPROVALS		DATE	ELECTRONICS CO.,LTD		
DRAWN	xu qi feng	2018/8/1			

CHECKED		TITLE:		USB CONNECTOR	
APPROVALS		PART NO.		U-A-24DD-Y-6	
TOLERANCES ARE		30~以上 ±0.30	ANGLE	UNIT: mm	SCALE: 1:1
		10~30 ±0.25			
		5~10 ±0.20			
		~5 ±0.15	±2'	DRAWING NO.	PROJ: 1 OF 1

ECN NO.	REV.	DATE.	DESCRIPTION.	CHANGE.	CHECK.	APPRO.
	A		NEW			