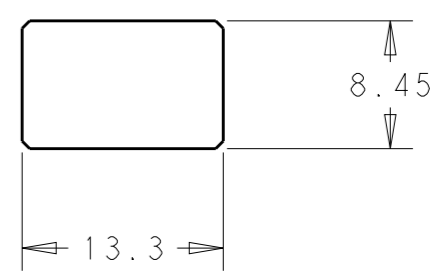
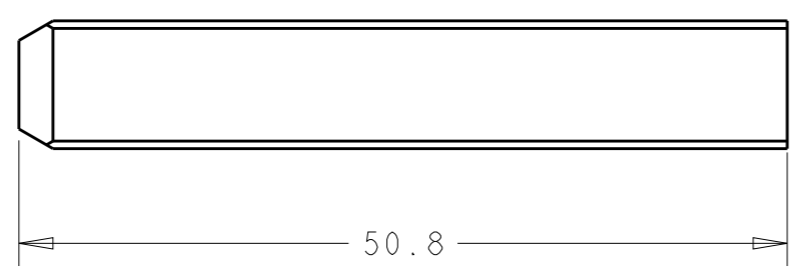
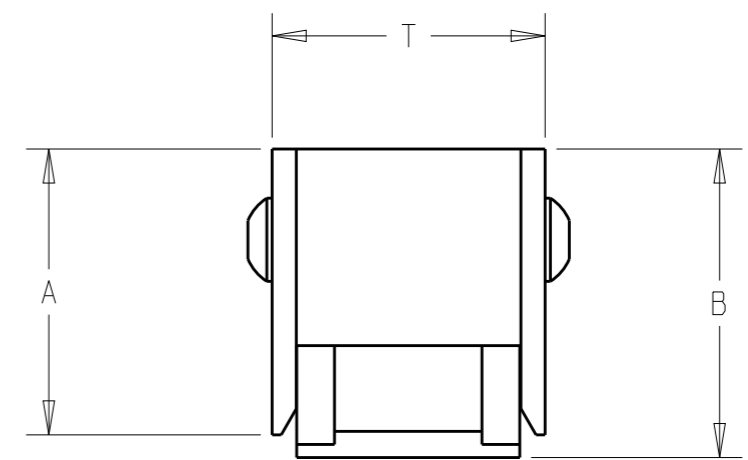
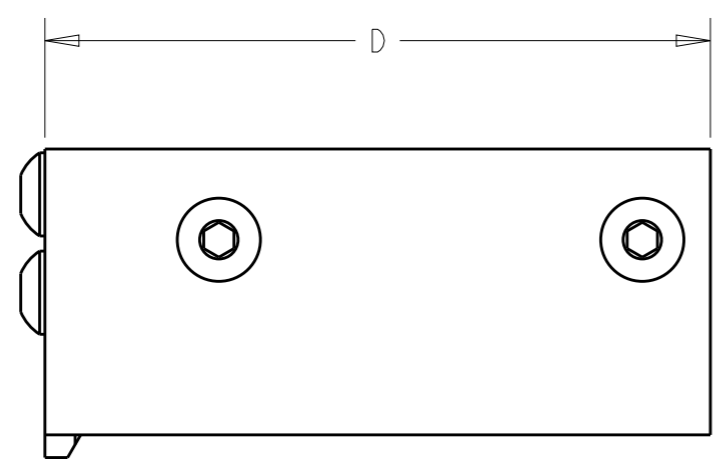



THIS DRAWING IS UNPUBLISHED. RELEASED FOR PUBLICATION 20  
 © COPYRIGHT 20 BY - ALL RIGHTS RESERVED.

REVISIONS					
P	LTR	DESCRIPTION	DATE	DWN	APVD
	A	INITIAL RELEASE	24JUL2015	CZ	VL
	A1	SEE ECR-19-013802 ADD -6, -7, -8	07AUG2019	DC	VA

PART NUMBER	REV	FIRST USED	SIZE	A	B	D	T
2215087-1	A	2170680-1	1X1	18.9	20.4	44	18.05
2215087-2	A	2292736-1	1X1	23.15	24.65	44	18.05
2215087-3	A	2291634-1	1X1	22	23.5	44	18.05
2215087-4	A	2291634-2	1X1	24.3	25.8	44	18.05
2215087-5	A	2291634-3	1X1	31.2	32.7	44	18.05
2215087-6	A	2335809-1	1X1	24	24	59.5	17.95
2215087-7	A	2335809-2, -3	1X1	24	24	59.5	17.95
2215087-8	A	2335809-4	1X1	24	24	59.5	17.95



THIS DRAWING IS A CONTROLLED DOCUMENT.		DWN C. ZHU	24JUL2015	 TE Connectivity	
DIMENSIONS: mm		CHK E. P	24JUL2015		
TOLERANCES UNLESS OTHERWISE SPECIFIED:		APVD V. I	24JUL2015	NAME ASSY SEATING TOOL, SFP+	
0 PLC ±- 1 PLC ±- 2 PLC ±- 3 PLC ±- 4 PLC ±- ANGLES ±-		PRODUCT SPEC SEE TABLE		RESTRICTED TO	
MATERIAL -		APPLICATION SPEC -		SIZE A3	CAGE CODE 00779
FINISH -		WEIGHT -		DRAWING NO C-2215087	
Customer Drawing				SCALE 2:1	SHEET 1 OF 1
				REV A1	