

22mm LED Illuminated Metal Projecting Operators



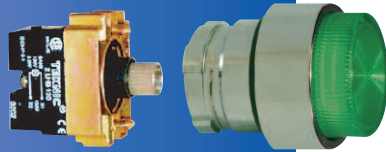
UL US
E225660



Certified for
NEMA Type 4X
12 environment.

Projecting Momentary

with bulb, bulb holder
and mounting bracket



**SAMPLE
ASSEMBLY**



Replacement bulbs
available.
See page 39.

Color	Voltage	Cat No.
-------	---------	---------

12V AC/DC			
<input type="checkbox"/>	White	12V AC/DC	2ALP1LB-012
<input checked="" type="checkbox"/>	Green	12V AC/DC	2ALP3LB-012
<input checked="" type="checkbox"/>	Red	12V AC/DC	2ALP4LB-012
<input checked="" type="checkbox"/>	Amber	12V AC/DC	2ALP5LB-012
<input checked="" type="checkbox"/>	Blue	12V AC/DC	2ALP6LB-012
<input type="checkbox"/>	Clear	12V AC/DC	2ALP7LB-012
<input checked="" type="checkbox"/>	Yellow	12V AC/DC	2ALP8LB-012

24V AC/DC

<input type="checkbox"/>	White	24V AC/DC	2ALP1LB-024
<input checked="" type="checkbox"/>	Green	24V AC/DC	2ALP3LB-024
<input checked="" type="checkbox"/>	Red	24V AC/DC	2ALP4LB-024
<input checked="" type="checkbox"/>	Amber	24V AC/DC	2ALP5LB-024
<input checked="" type="checkbox"/>	Blue	24V AC/DC	2ALP6LB-024
<input type="checkbox"/>	Clear	24V AC/DC	2ALP7LB-024
<input checked="" type="checkbox"/>	Yellow	24V AC/DC	2ALP8LB-024

48V AC/DC

<input type="checkbox"/>	White	48V AC/DC	2ALP1LB-048
<input checked="" type="checkbox"/>	Green	48V AC/DC	2ALP3LB-048
<input checked="" type="checkbox"/>	Red	48V AC/DC	2ALP4LB-048
<input checked="" type="checkbox"/>	Amber	48V AC/DC	2ALP5LB-048
<input checked="" type="checkbox"/>	Blue	48V AC/DC	2ALP6LB-048
<input type="checkbox"/>	Clear	48V AC/DC	2ALP7LB-048
<input checked="" type="checkbox"/>	Yellow	48V AC/DC	2ALP8LB-048

110V AC

<input type="checkbox"/>	White	110V AC	2ALP1LB-110
<input checked="" type="checkbox"/>	Green	110V AC	2ALP3LB-110
<input checked="" type="checkbox"/>	Red	110V AC	2ALP4LB-110
<input checked="" type="checkbox"/>	Amber	110V AC	2ALP5LB-110
<input checked="" type="checkbox"/>	Blue	110V AC	2ALP6LB-110
<input type="checkbox"/>	Clear	110V AC	2ALP7LB-110
<input checked="" type="checkbox"/>	Yellow	110V AC	2ALP8LB-110

110V DC

<input type="checkbox"/>	White	110V DC	2ALP1LB-110D
<input checked="" type="checkbox"/>	Green	110V DC	2ALP3LB-110D
<input checked="" type="checkbox"/>	Red	110V DC	2ALP4LB-110D
<input checked="" type="checkbox"/>	Amber	110V DC	2ALP5LB-110D
<input checked="" type="checkbox"/>	Blue	110V DC	2ALP6LB-110D
<input type="checkbox"/>	Clear	110V DC	2ALP7LB-110D
<input checked="" type="checkbox"/>	Yellow	110V DC	2ALP8LB-110D

230V AC

<input type="checkbox"/>	White	230V AC	2ALP1LB-230
<input checked="" type="checkbox"/>	Green	230V AC	2ALP3LB-230
<input checked="" type="checkbox"/>	Red	230V AC	2ALP4LB-230
<input checked="" type="checkbox"/>	Amber	230V AC	2ALP5LB-230
<input checked="" type="checkbox"/>	Blue	230V AC	2ALP6LB-230
<input type="checkbox"/>	Clear	230V AC	2ALP7LB-230
<input checked="" type="checkbox"/>	Yellow	230V AC	2ALP8LB-230

230V DC

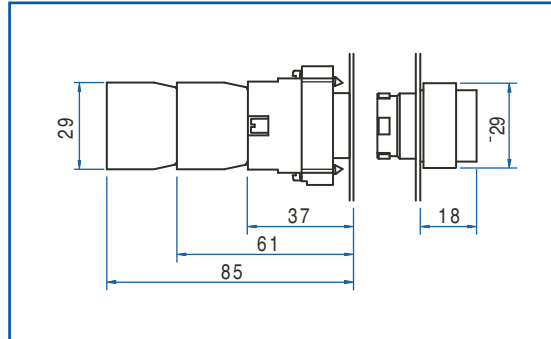
<input type="checkbox"/>	White	230V DC	2ALP1LB-230D
<input checked="" type="checkbox"/>	Green	230V DC	2ALP3LB-230D
<input checked="" type="checkbox"/>	Red	230V DC	2ALP4LB-230D
<input checked="" type="checkbox"/>	Amber	230V DC	2ALP5LB-230D
<input checked="" type="checkbox"/>	Blue	230V DC	2ALP6LB-230D
<input type="checkbox"/>	Clear	230V DC	2ALP7LB-230D
<input checked="" type="checkbox"/>	Yellow	230V DC	2ALP8LB-230D

22mm LED Illuminated Metal Projecting Operators

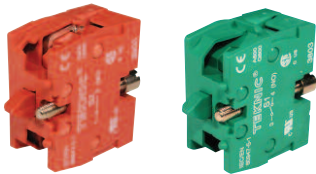
Dimensional Drawings

All dimensions shown in millimeters.
To convert to inches multiply by 0.03937

Projecting Momentary



Switch Contacts *(sold separately)*



- Heavy-duty contact blocks with mounting screws. Blocks can be stacked 2 blocks across by 3 blocks deep for a total of 6 circuits.
- Contact blocks are available with silver contacts or gold plated contacts
- Self-wiping contacts

Panel Mount

Normally Open Silver	S1
Normally Closed Silver	S2
Normally Open Gold Plated	S3
Normally Closed Gold Plated	S4

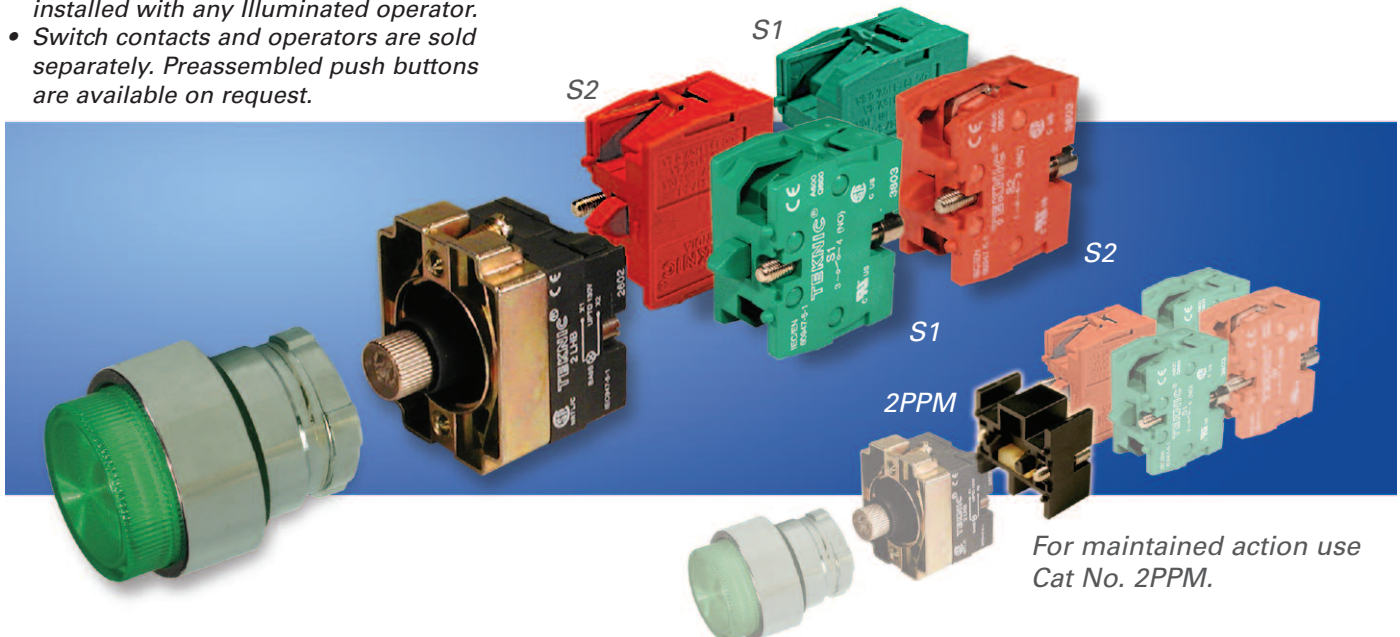
Base Mount*

Normally Open Silver	S5
Normally Closed Silver	S6
Normally Open Gold Plated	S7
Normally Closed Gold Plated	S8

* For use with non-illuminated operators in thermoplastic or aluminum enclosures listed on pages 30 and 36-37.

Exploded Assembly View

- Up to four switch contacts can be installed with any illuminated operator.
- Switch contacts and operators are sold separately. Preassembled push buttons are available on request.



For maintained action use
Cat No. 2PPM.