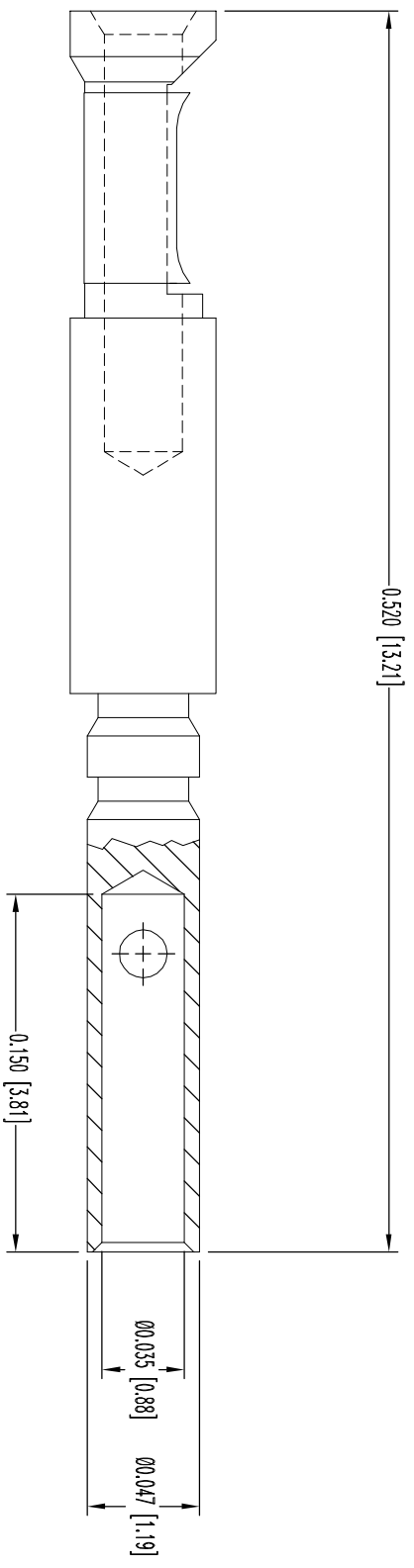


THIS DRAWING CONTAINS INFORMATION PROPRIETARY TO POSITRONIC AND ITS SUBSIDIARIES. POSITRONIC BELIEVES THE DATA ON THIS DRAWING TO BE RELIABLE. SINCE THE USER EMPLOYS SUCH INFORMATION AT HIS OWN DISCRETION AND RISK, POSITRONIC ASSUMES NO RESPONSIBILITY FOR RESULTS OBTAINED OR DAMAGES INCURRED FROM USE OF SUCH INFORMATION UNLESS ON IN WRITING.

DATE	REV	REVISION RECORD	APP	DR	CK
8-14-15	NC	ECO 47850	COLB	BE	COLB

SK17788



- NOTES:
1. MATERIALS AND FINISHES:
CONTACT: PRECISION MACHINED COPPER ALLOY, 0.000030 [0.76µ] GOLD OVER NICKEL FINISH.
SPRING CLIP: BERYLLIUM COPPER, GOLD FLASH OVER NICKEL FINISH.
 2. DETAILED PRODUCT, ELECTRICAL, AND MECHANICAL INFORMATION IS AVAILABLE IN THE LATEST HIGH DENSITY D-SUBMINIATURE PRODUCT PUBLICATION AT CONNECTPOSITRONIC.COM.
 3. CONTACTS ARE COMPLIANT TO THE CURRENT ROHS DIRECTIVE.
 4. DIMENSIONS ARE IN INCHES [MILLIMETERS].

POSITRONIC INDUSTRIES INC.
www.connectpositronic.com PSCM 28198

		DD SERIES		SCALE N.T.S.		DRAWN BY B. EVANS	
DECIMAL TOL. ± 0.015 [0.38]		TITLE FC8022D2/AA-14		APPROVED BY COLB		DATE 08-14-15	
ANGULAR TOL. ± 5°		DRAWING NUMBER SK17788		REV. NC			