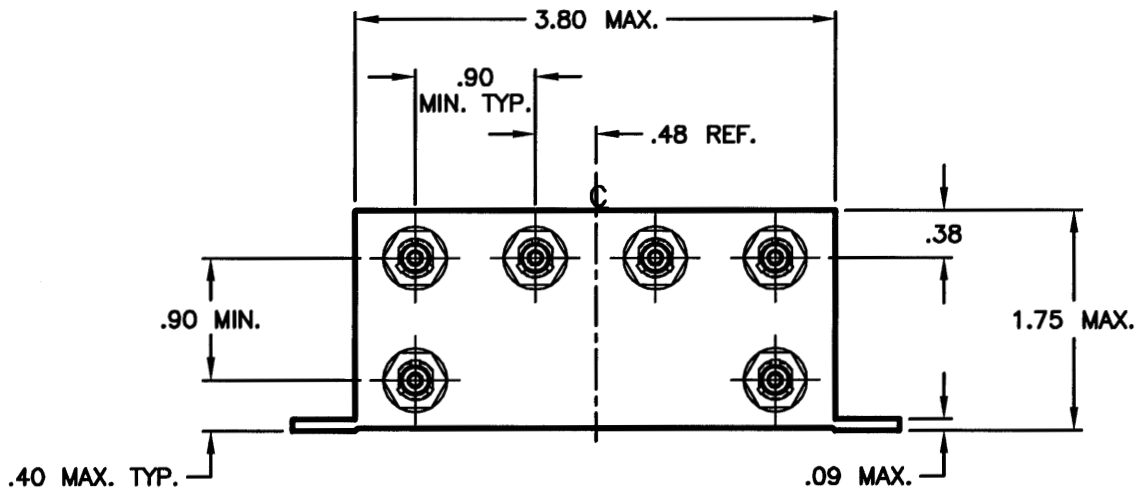
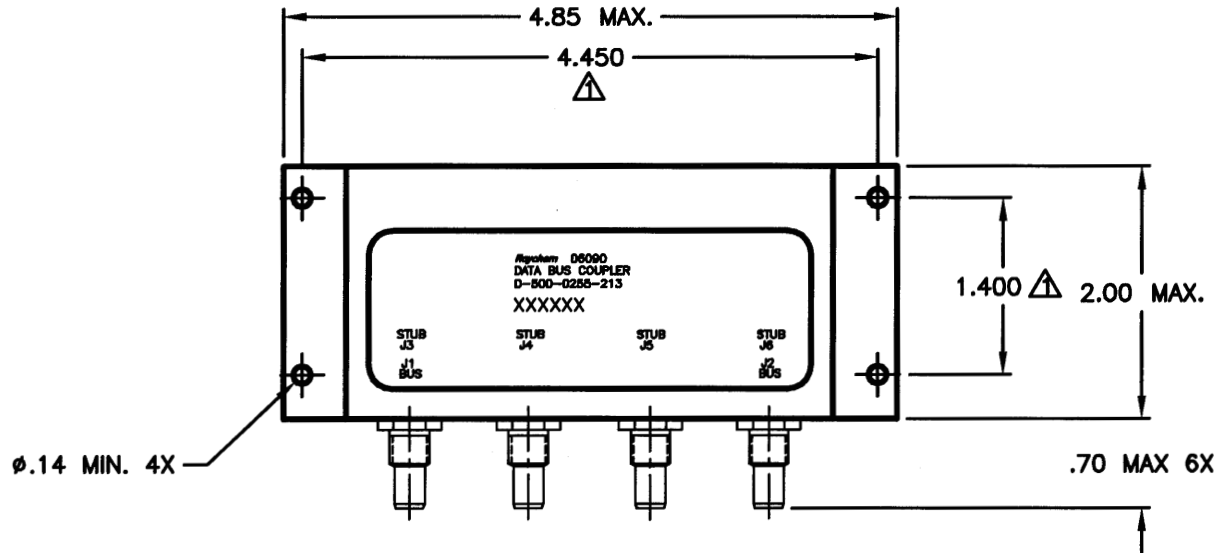


REVISIONS			
LTR	DESCRIPTION	DATE	APPROVED
C	REVISED PER E.C.N. T-9545	88JAN28	Z.E.T.
D	REVISED PER E.C.N. T-20026	95 APR 20	3 26

per ECO-16-013197
 △ HOLE PATTERN MACHINED SYMMETRICAL TO MOUNTING FLANGE.



SPECIFICATION CONTROL DRAWING

UNLESS OTHERWISE SPECIFIED DIMENSIONS ARE IN INCHES. METRIC DIMENSIONS ARE IN BRACKETS. DECIMALS .XXX ± .010 { — mm } .XX ± .03 { — mm } ANGLES .X ± — WEIGHT TBD lbs { g }	DRAWN terry 86APR08		Raychem RAYCHEM CORPORATION 300 CONSTITUTION DRIVE MENLO PARK, CALIFORNIA 94025		
	CHECKED			TITLE DATA BUS COUPLER WITH CORROSION RESISTANT TRIAXIAL THREADED CONNECTORS	
	APPROVED				
	APPROVED I.M. 85APR08			SIZE A CODE IDENT. NO. 06090 DWG. NO. D-500-0255-213 REV D	
	CAD NAME 001810-1.DWG		SHEET 1 OF 2		

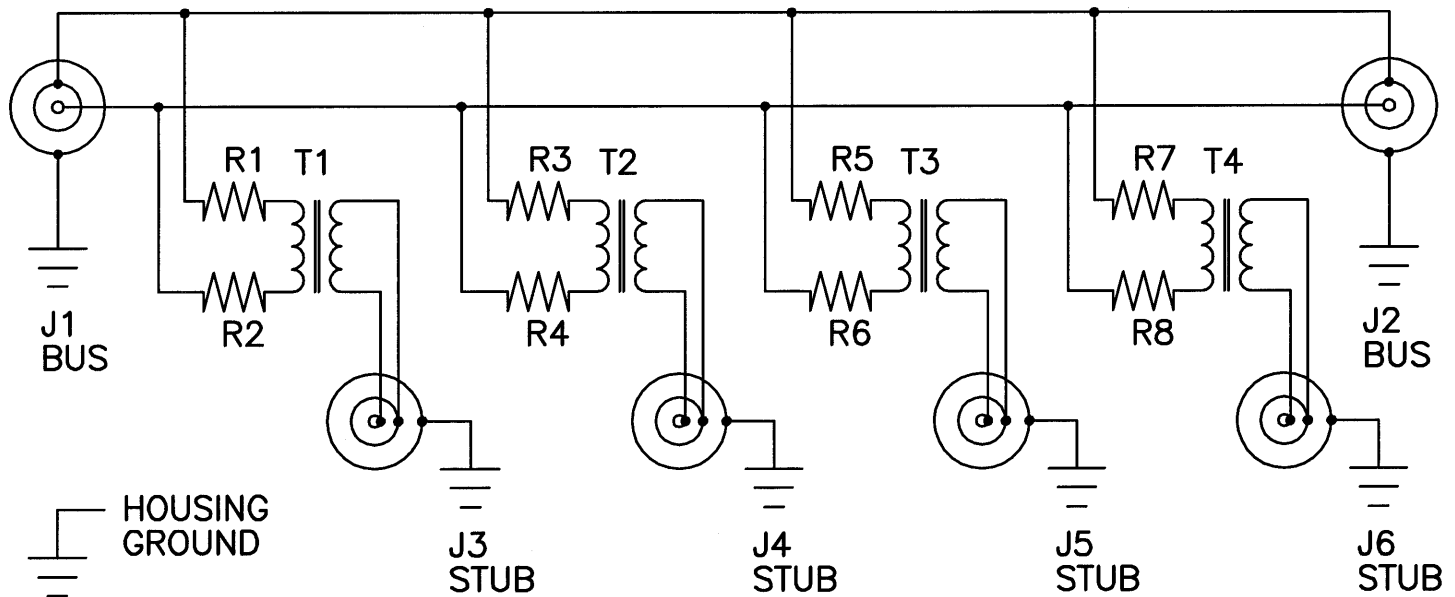
1.0 INTERMATEABILITY

- 1.1 POSITIONS J1 AND J2, TRIAXIAL JACK, D-621-0412 (WITH D-602-0126 CONTACT INSTALLED) WILL MATE WITH TRIAXIAL PLUG, DK-621-0411-S.
- 1.2 POSITIONS J3,J4,J5 AND J6, JACK, D-621-0412 (WITH D-602-0127 CONTACT INSTALLED), WILL MATE WITH TRIAXIAL PLUG, DK-621-0411-P

2.0 PERFORMANCE

- 2.1 THIS COUPLER IS DESIGNED TO MEET THE APPLICABLE FUNCTIONAL REQUIREMENT OF RAYCHEM SPECIFICATION D-6021.
- 2.2 THE COUPLER SHALL OPERATE UNDER ANY OF THE ENVIRONMENTAL SERVICE CONDITIONS AS SPECIFIED IN MIL-E-5400, CLASS V .
UPGRADED TO 125°C CONTINUOUS OPERATION.
- 2.3 ALTITUDE: SEA LEVEL TO 50,000 FEET.

SCHEMATIC DIAGRAM



001810-2.DWG	DRAWN	TERRY	86MAY08	SIZE	CODE IDENT. NO.	DWG. NO.
	ISSUED			A	06090	D-500-0255-213
DO NOT SCALE THIS DRAWING						SHEET 2 OF 2