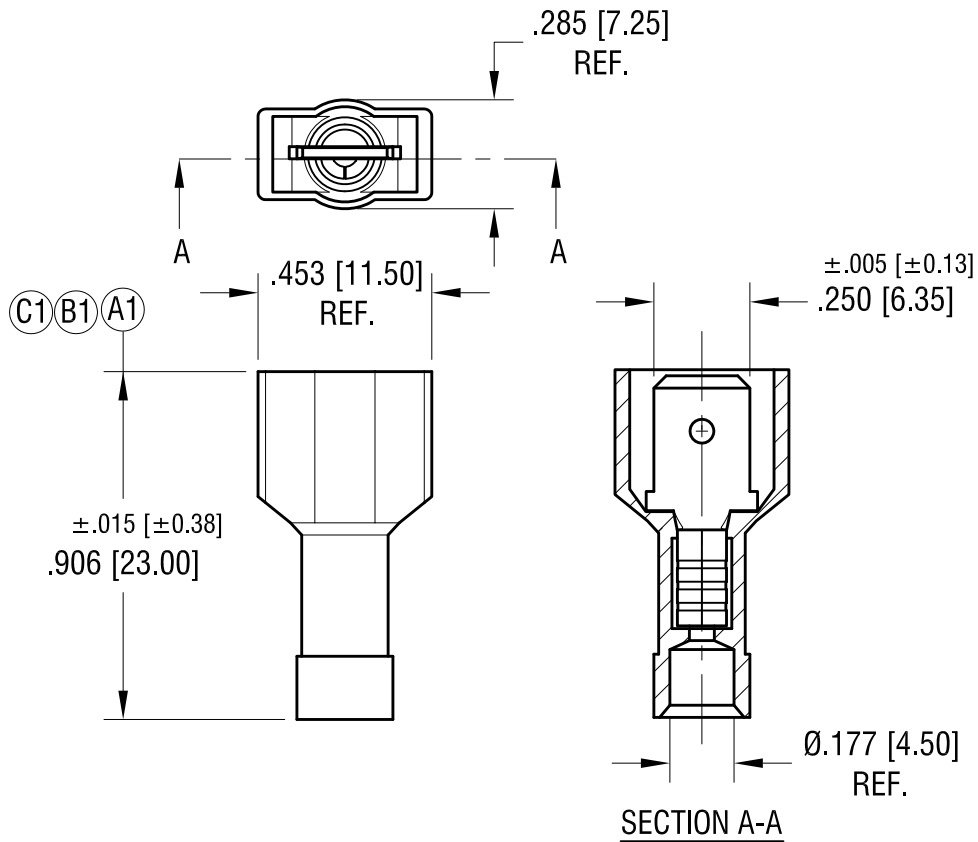
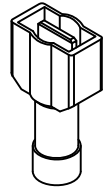


THIS DOCUMENT IS THE PROPERTY OF  
KEYSTONE ELECTRONICS CORP. AND  
SHALL NOT BE REPRODUCED, DISTRIBUTED  
OR USED AS A BASIS FOR MANUFACTURE  
WITHOUT PRIOR WRITTEN PERMISSION  
FROM KEYSTONE ELECTRONICS CORP.

ACTUAL SIZE



**NOTE:**

1. TERMINAL: MALE TAB  
 $.250 [6.35]$  x  $.032 [0.81]$  TH'K COPPER, TIN PLATE  
 INSULATOR: NYLON 6/6, RED
2. ACCOMMODATES WIRE RANGE 22/18 AWG

DATE	DESCRIPTION	REV.
10.25.23	(C1) WAS 23.50mm±0.81mm UPDATE PER NEW TOOLING CHANGE AS PER ECN 23-211	C
5.05.23	(B1) WAS .960 [24.37]±.032[±0.81] UPDATE PER NEW TOOLING CHANGE AS PER ECN 23-073	B
4.22.15	(A1) WAS 950 [24.13]±.010 [±0.25] CHANGE AS PER ECN 15-042	A

<b>KEYSTONE ELECTRONICS CORP.</b>			
www.keyelco.com • NEW HYDE PARK NY 11040 • Tel (516)328-7500			
PART NAME <b>FULLY INSULATED QUICK-FIT TERMINAL, MALE</b>			
MATERIAL <b>AS NOTED</b>			
FINISH <b>AS NOTED</b>		DRN BY <b>BOONE</b>	DATE <b>11.20.07</b>
		APP'D <b>RH</b>	SCALE <b>2X</b>
TOLERANCES	INCH [MM]	CODE	DWG NO.
DECIMAL	$\pm .010 [\pm 0.25]$	<b>C</b>	<b>8297</b>
ANGULAR	$\pm 1^\circ$		
UNLESS OTHERWISE SPECIFIED			