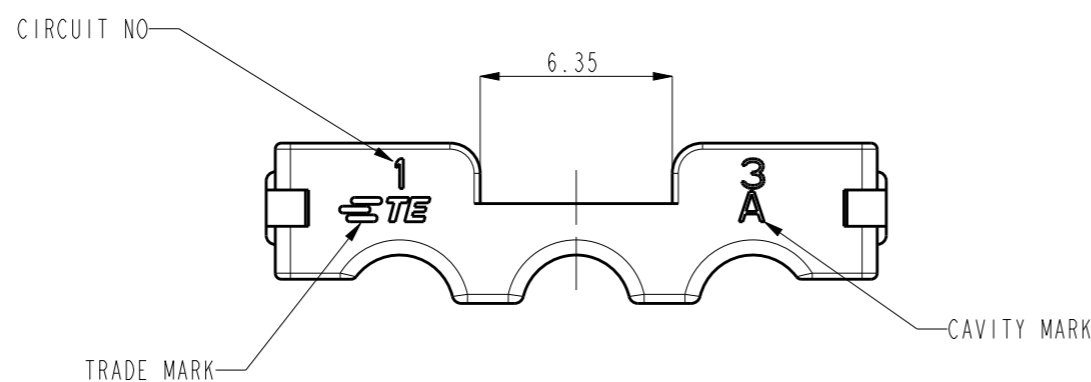
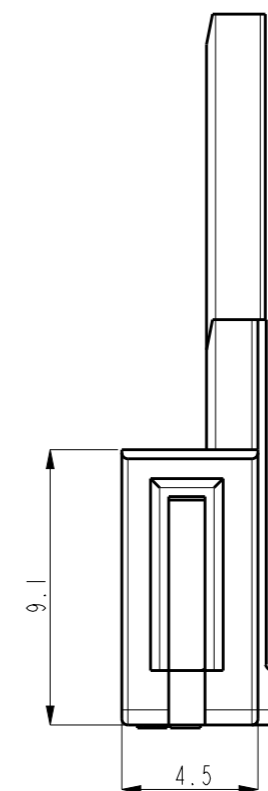
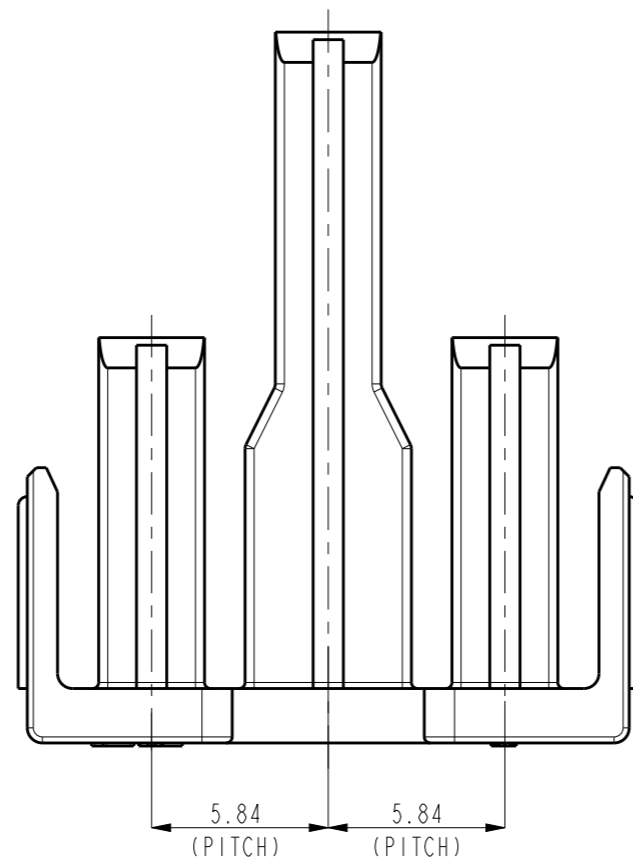



P	LTR	DESCRIPTION	DATE	DWN	APVD
	A3	FEW DIMENSIONS ADDED	15JUN2020	SE	TD



NOTES:

1. GENERAL TOLERANCE:  $\pm 0.2\text{mm}$  ,  $\pm 2^\circ$
2. APPLIDE HSG P/N: 2-2005820-9

PA66	NAT	2108798-1
MATERIAL	COLOR	P/N

THIS DRAWING IS A CONTROLLED DOCUMENT.		DWN SE JUNG	 TE Connectivity	
DIMENSIONS: mm		CHK BH CHO		
TOLERANCES UNLESS OTHERWISE SPECIFIED:		APVD BW KANG	NAME CLUSTER BLOCK 3P CLIP TPA HSG	
0 PLC $\pm$		PRODUCT SPEC 108-61156	SIZE A3	
1 PLC $\pm 0.5$		APPLICATION SPEC 114-5235	CAGE CODE 00779	DRAWING NO C-2108798
2 PLC $\pm 0.13$		WEIGHT	RESTRICTED TO -	
3 PLC $\pm 0.013$		CUSTOMER DRAWING	SCALE 4:1	SHEET 1 OF 1
4 PLC $\pm 0.0001$				REV A3
ANGLES $\pm$				
FINISH				