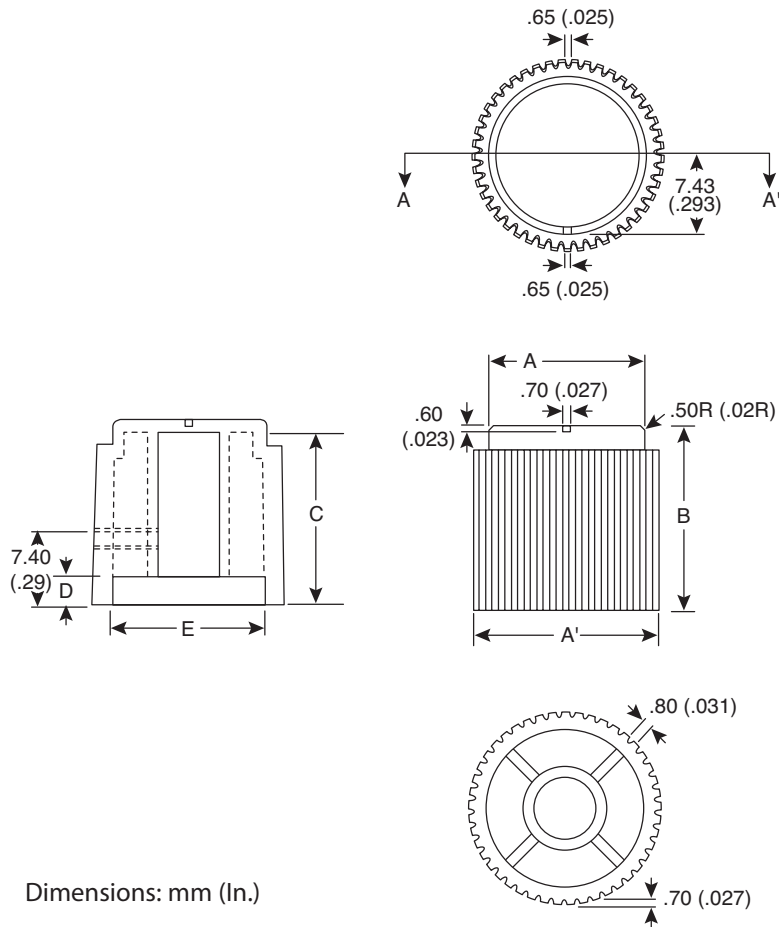


Date Last Revised: 8/15/14



Dimensions: mm (In.)

SPECIFICATIONS	
Material:	ABS
Tolerance:	±.20mm
Shaft Hole:	T18

DIMENSIONS MM (IN.)								
Mouser Stock No.	A	A'	B	C	D	E	Body	Line
450-AE181	15 (.59)	18.40 (.72)	17.40 (.68)	16.20 (.64)	2.40 (.094)	14.70 (.58)	White	Black
450-AE185	15 (.59)	18.40 (.72)	17.40 (.68)	16.20 (.64)	2.40 (.094)	14.70 (.58)	Gray	Black
450-AE186	15 (.59)	18.40 (.72)	17.40 (.68)	16.20 (.64)	2.40 (.094)	14.70 (.58)	Black	White
450-AE141	10.40 (.41)	13.80 (.54)	16.60 (.65)	14.60 (.57)	---	9.50 (.37)	Black	White

# Mouser Electronics

Authorized Distributor

Click to View Pricing, Inventory, Delivery & Lifecycle Information:

[Eagle Plastic Devices:](#)

[450-AE185](#) [450-AE186](#) [450-AE181](#) [450-AE141](#)