



Connectors > Connector Accessories > Heat Sinks



Device Type: CFP2

Fin Style: Unidirectional

Number of Fins: 23

Features

Product Type Features

Device Type	CFP2
-------------	------

Configuration Features

Number of Fins	23
----------------	----

Body Features

Primary Product Plating Material	Black Anodized
Primary Product Material	Aluminum Alloy
Fin Style	Unidirectional

Product Compliance

[For compliance documentation, visit the product page on TE.com>](#)

EU RoHS Directive 2011/65/EU	Compliant
EU ELV Directive 2000/53/EC	Compliant
China RoHS 2 Directive MIIT Order No 32, 2016	No Restricted Materials Above Threshold
EU REACH Regulation (EC) No. 1907/2006	Current ECHA Candidate List: JUNE 2024 (241) Candidate List Declared Against: JAN 2021 (211) Does not contain REACH SVHC
Halogen Content	Low Halogen - Br, Cl, F, I < 900 ppm per

homogenous material. Also BFR/CFR/PVC Free

Solder Process Capability

Not reviewed for solder process capability

Product Compliance Disclaimer

This information is provided based on reasonable inquiry of our suppliers and represents our current actual knowledge based on the information they provided. This information is subject to change. The part numbers that TE has identified as EU RoHS compliant have a maximum concentration of 0.1% by weight in homogenous materials for lead, hexavalent chromium, mercury, PBB, PBDE, DBP, BBP, DEHP, DIBP, and 0.01% for cadmium, or qualify for an exemption to these limits as defined in the Annexes of Directive 2011/65/EU (RoHS2). Finished electrical and electronic equipment products will be CE marked as required by Directive 2011/65/EU. Components may not be CE marked. Additionally, the part numbers that TE has identified as EU ELV compliant have a maximum concentration of 0.1% by weight in homogenous materials for lead, hexavalent chromium, and mercury, and 0.01% for cadmium, or qualify for an exemption to these limits as defined in the Annexes of Directive 2000/53/EC (ELV). Regarding the REACH Regulation, the information TE provides on SVHC in articles for this part number is based on the latest European Chemicals Agency (ECHA) 'Guidance on requirements for substances in articles' posted at this URL: <https://echa.europa.eu/guidance-documents/guidance-on-reach>

Compatible Parts



TE Part # 2288220-2
CFP2 HEATSINK CLIP



TE Part # 2288221-1
CFP2 EMI/DUST PLUG

Customers Also Bought



TE Part #1-1879447-6
TE 200W 18R 5% Bracket



TE Part #826926-2
AMPMODU II PIN HEADER



TE Part #5145246-1
CONNECTOR ASSEMBLY, DUAL POSIT



TE Part #2170737-4
QSFP28, 1X3, CAGE ASSEMBLY, SPRING



TE Part #811185-000
222D242-12-0



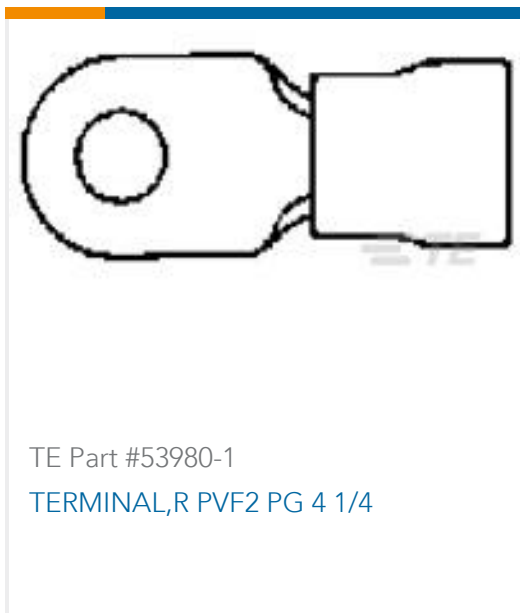
TE Part #20019427-00
830M1-2000 Triaxial 2Kg Tape Reel 150pc



TE Part #YD369-B66-NS000000
369 6 WAY PANEL MNT REC, NO CONTACTS,SKT



TE Part #382811-8
SHUNT, ECON, PHBR 5AU, BLACK



Documents

Product Drawings

[CFP2 HEATSINK, SIDE TO SIDE AIRFLOW](#)

English

CAD Files

[3D PDF](#)

3D

Customer View Model

[ENG_CVM_CVM_2288219-3_1.2d_dxf.zip](#)

English

Customer View Model

[ENG_CVM_CVM_2288219-3_1.3d_igs.zip](#)

English

Customer View Model

[ENG_CVM_CVM_2288219-3_1.3d_stp.zip](#)

English

By downloading the CAD file I accept and agree to the [Terms and Conditions](#) of use.

Product Specifications

[Application Specification](#)

English