



## NA2-IO-DLINE

\*\*\* DISCONTINUED \*\*\*

Connect your legacy audio gear to the Dante<sup>®</sup> world. The NA2-IO-DLINE is an end-of-network device. It is a breakout box which allows two channels of audio to be integrated into a Dante<sup>®</sup> network. Simultaneously, NA2-IO-DLINE converts a Dante<sup>®</sup> stream into analog audio signals. Hence, it is possible to use this tiny box to feed analog audio signals into the Dante<sup>®</sup> network while at the same time receiving a mix from another Dante<sup>®</sup> source.

NA2-IO-DLINE is designed for harsh stage conditions. It therefore features lockable chassis connectors for both the audio and network connections. For fixed installations, the rubber protection can be removed. With optional mounting brackets or a rack panel, the box can be mounted below tables, in floor boxes, or in equipment racks.

## Features & Benefits

- Connect analog audio equipment to a Dante® network
- Lockable audio and network connections
- Feed non Dante® ready amplifiers, speakers or mixing desks with signals from the Dante® network
- AES67 compliant
- Heavy duty adapter for rugged stage conditions
- Convert up to two analog line signals to a Dante® network
- Requires a Power over Ethernet switch or a PoE injector (802.3 af/at; class 1)
- Rack mountable

For Dante® related questions, refer to the Audinate web site: [www.audinate.com](http://www.audinate.com). The Audinate web site features a wealth of manuals, teaching material, FAQs and videos.

Please see the Technical Specifications in the NA2-IO-DLINE brochure.

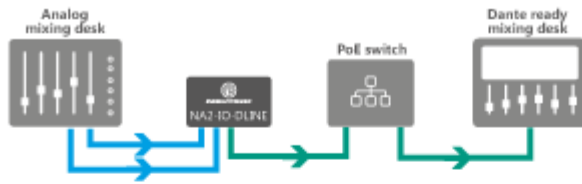
Audinate® is a registered trademark of Audinate Pty Ltd.

Dante® is a trademark of Audinate Pty Ltd.

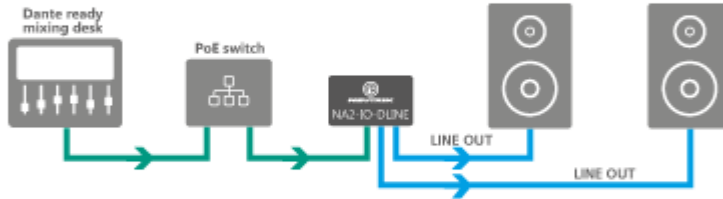
## Tutorial

## Applications

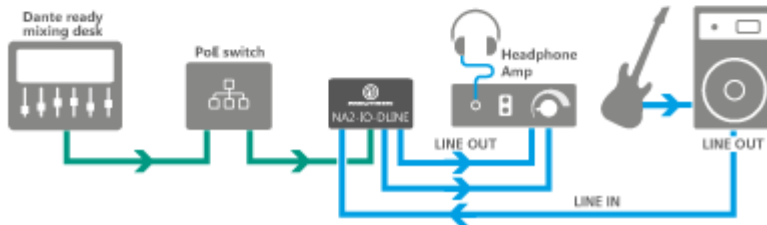
### Input application:



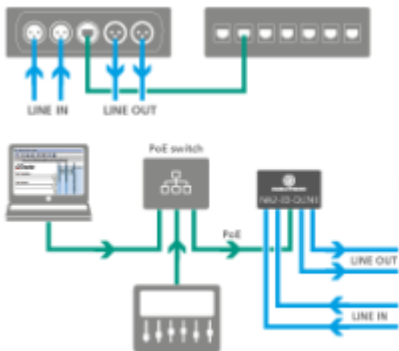
### Output application:



### Input & Output application (Mixed mode):



## Setup / Power Supply



**Important:**  
Requires a Power over Ethernet switch or a PoE injector  
(802.3af / 802.3at: class1)

or

