

Heavy Duty Terminal Blocks

General Information:

Heavy Duty Terminal Blocks are available in two styles – Deadfront Type (1100, 1200, 985 and 0987 series) and Barrier Type (1500, 1600 and 1700 series).

Ratings and Standards:

The voltage ratings of terminal blocks are based upon the minimum spacing between electrically conductive parts line to line through air and over surface, and line to ground through air and over surface.

Class A

Service equipment including deadfront switchboards, panel boards, service entrance devices.

Class B

Commercial appliances including business equipment, electronic data processing equipment and the like.

Class C

General industrial and machine tool controls which can be further defined as equipment falling under UL 508. Ratings based on UL 1059 may be higher in some cases depending on application.

Spacing Requirements (in inches):

	Voltage	Thru Air	Over Surface
Class A	51-150	.500	.750
	151-300	.750	1.250
	301-600	1.000	2.000
Class B	51-150	.063	.063
	151-300	.094	.094
	301-600	.375	.500
Class C	51-150	.125	.250
	151-300	.250	.375
	301-600	.375	.500

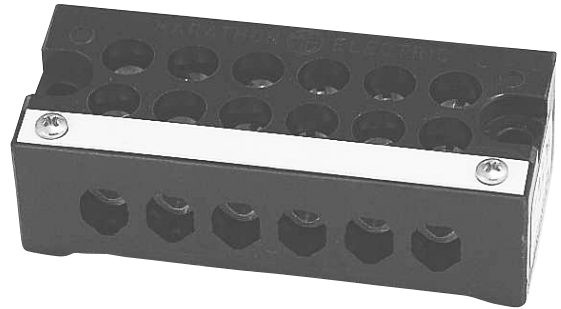
Applications:

These rugged terminal blocks are widely used in such industries as traffic control, utilities, switchgear and other utility related applications, such as windpower.

Heavy Duty Terminal Blocks

1100 Series - Deadfront Type

600 Volts AC/DC (UL/CSA)



1106

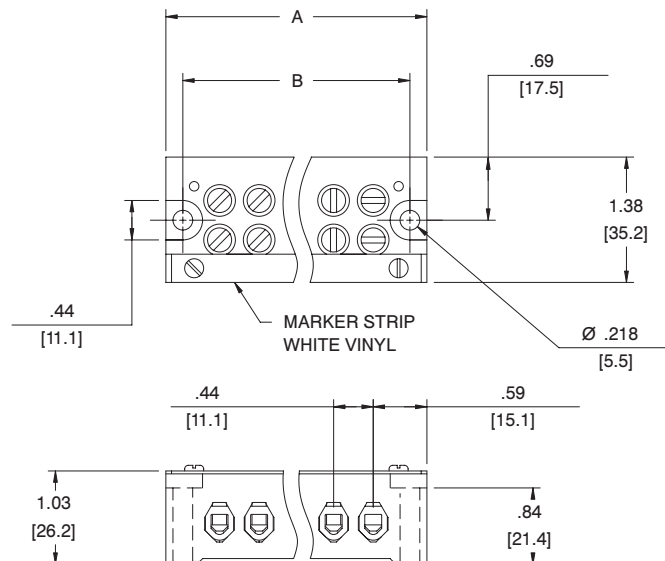
Specifications:

- Base, General Purpose Phenolic, 150°C (UL RTI)
- Connector, Aluminum Tin Plated
- Spring, Copper, Use 11XXS
- Screws, Brass, Tin Plated
- Current Rating up to **65 Amps**
- Wire Range #6 - #18 AWG CU
- Wire Range With Spring #6 - #14 AWG CU
- See datasheets for multiple wire information
- UL Recognized File No. XCFR2.E62806
- CSA Certified File No. LR19766
- **CE** - 630 Volts
- RoHS Compliant

Catalog Number		# of Poles	Dimensions	
			A	B
1102	1102S	2	1.69	1.31
1104	1104S	4	2.50	2.12
1106	1106S	6	3.38	3.00
1107	1107S	7	3.88	3.50
1108	1108S	8	4.25	3.88
1112	1112S	12	6.00	5.62

S=Copper Pressure Spring
See page 35 for DIN Rail Adapter

mm = dim X 25.4



For electronic drawings or 2D/3D CAD data, submit request at www.marathonsp.com/drawings.html

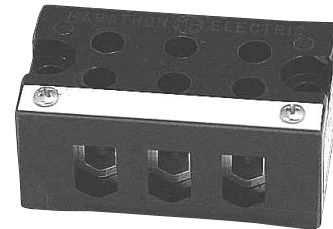
Heavy Duty Terminal Blocks

1103P and 1200 Series - Deadfront Type

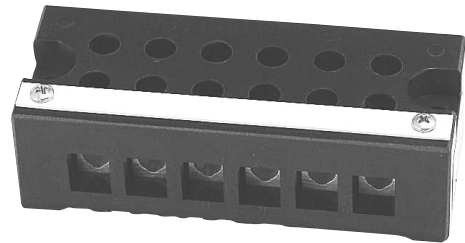
600 Volts AC/DC (UL/CSA)

Specifications:

- Base, General Purpose Phenolic, 150°C (UL RTI)
- Connector, Aluminum, Tin Plated
- Screws, Steel, Nickel (Ni) Plated
- Current Rating up to **70 Amps**
- 1103P Wire Range (1) #4 - #14 AWG CU
(1-2) #10 - #14 AWG CU
- 1200 Series Wire Range #4 - #18 AWG CU
- UL Recognized File No. XCFR2.E62806
- CSA Certified File No. LR19766
- **CE** - 630 Volts (1103P); 800 Volts (1200 Series)
- RoHS Compliant



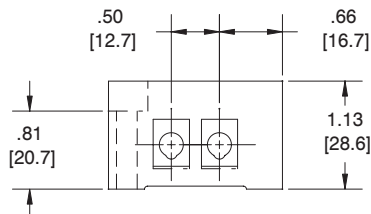
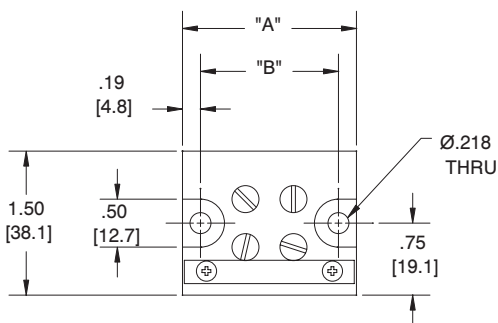
1103P



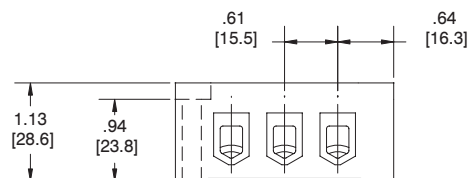
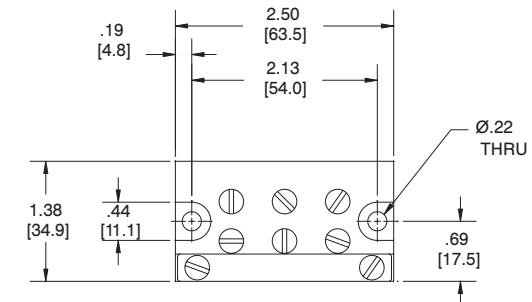
1206

Catalog #	# of Poles	Dimensions	
		A	B
1202	2	1.81	1.44
1204	4	2.81	2.44
1206	6	3.81	3.44

For electronic drawings or 2D/3D CAD data, submit request at www.marathonsp.com/drawings.html mm = dim X 25.4



1200 Series



1103P Series

Heavy Duty Terminal Blocks

0987 RZ Series - Deadfront Type

600 Volts AC/DC (UL/CSA)



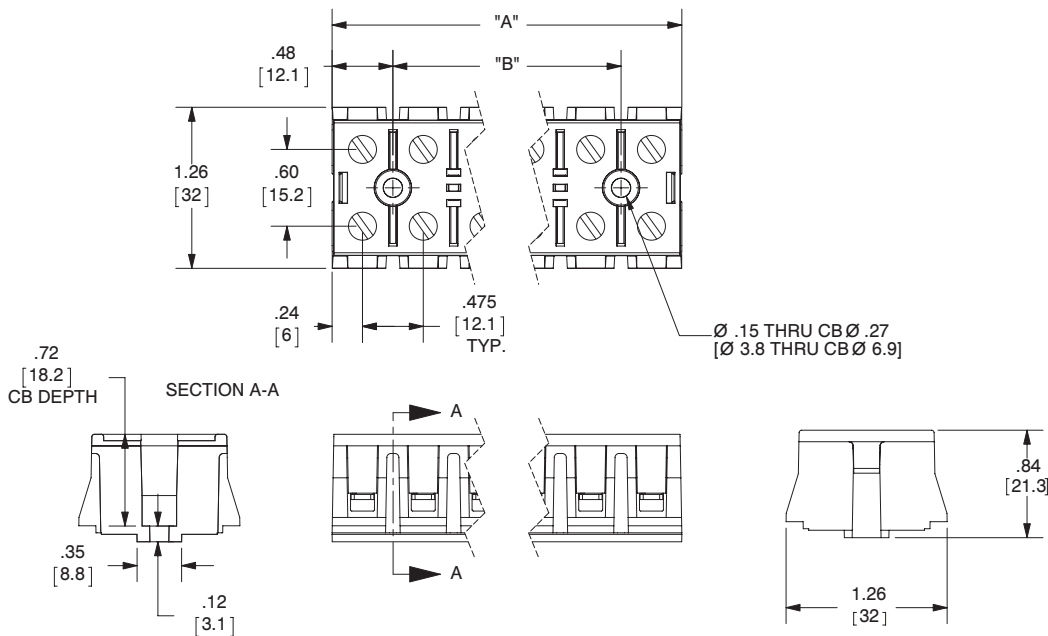
0987 RZ TC 07

Specifications:

- Base, Thermoplastic, 125°C, Flammability - UL 94 V-O
- Connector, Copper Alloy, Nickel Plated (TC Tubular Clamp)
- Current Rating up to **50 Amps**
- Wire Range
 - (1) #8 - #24 sol/str
 - (2) 12 str
 - (2) 14 str
 - (1) 12 str and (1) 14 str
- .475" Centerline Spacing
- IP20 Touchproof Protection
- UL Recognized File No. XCFR2.E47811
- CSA Certified File No. LR19766
- **CE** - 1000 Volts
- RoHS Compliant

Catalog #	# of poles	Dimensions	
		A	B
0987 RZ TC 02	2	0.95	N/A
0987 RZ TC 03	3	1.43	0.48
0987 RZ TC 04	4	1.90	0.95
0987 RZ TC 05	5	2.38	1.43
0987 RZ TC 06	6	2.85	1.90
0987 RZ TC 07	7	3.33	2.38
0987 RZ TC 08	8	3.80	2.85
0987 RZ TC 09	9	4.28	3.33
0987 RZ TC 10	10	4.75	3.80
0987 RZ TC 11	11	5.23	4.28
0987 RZ TC 12	12	5.70	4.75

mm = dim X 25.4

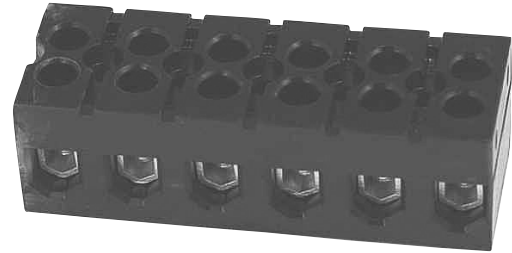


For electronic drawings or 2D/3D CAD data, submit request at www.marathonsp.com/drawings.html

Heavy Duty Terminal Blocks

985 GP Series - Deadfront Type

600 Volts AC/DC (UL/CSA)



985 GP 06

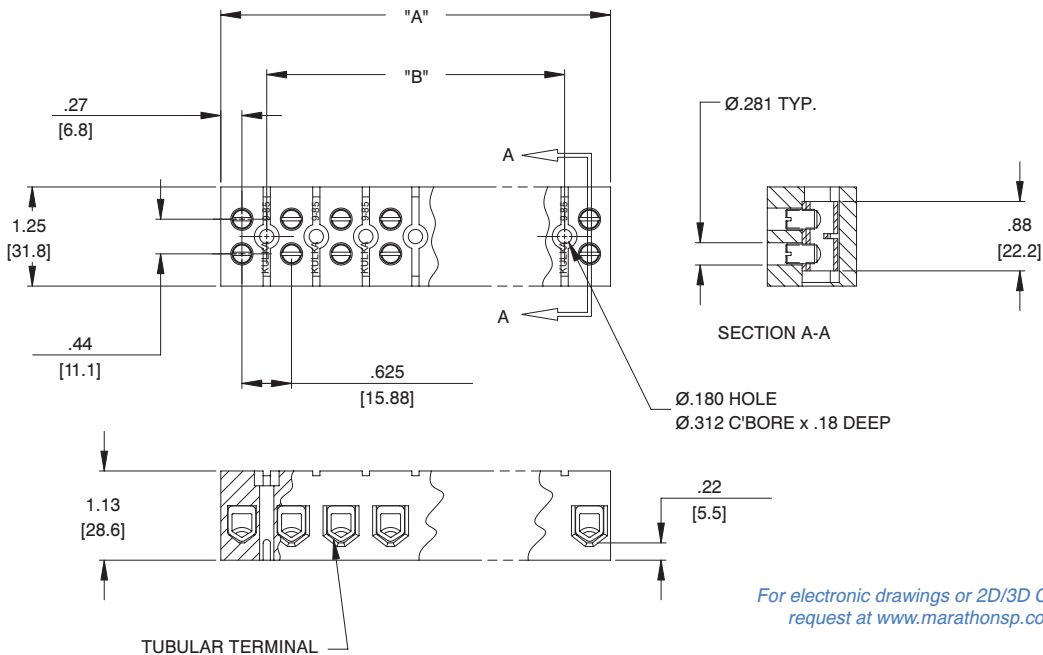
Specifications:

- Base, General Purpose Phenolic, 150°C (UL RTI)
- Connector, Aluminum, Tin (Sn) Plated
- Screws, Steel, Tin (Sn) Plated
- Current Rating up to **85 Amps**
- Wire Range #4-#18 AWG Copper Wire
- Multiple Wire Combinations For Solid or Stranded Copper Wire Are:
 - (1) #4 AWG
 - (1) #6 AWG
 - (1 - 2) #8 AWG
 - (1 - 4) #10 AWG
 - (1 - 4) #12 AWG
 - (1 - 6) #14 AWG
 - (1 - 6) #16 AWG
 - (1 - 8) #18 AWG
- 5/8" (.625") Center-Line Spacing
- UL Recognized File No. XCFR2.E47811
- CSA Certified File No. LR19766
- **CE** - 630 Volts
- RoHS Compliant

Catalog #	# of poles	Dimensions	
		A	B
985 GP 02	2	1.16	N/A
985 GP 03	3	1.78	0.63
985 GP 04	4	2.41	1.25
985 GP 05	5	3.03	1.88
985 GP 06	6	3.66	2.50
985 GP 07	7	4.28	3.13
985 GP 08	8	4.91	3.75
985 GP 09	9	5.53	4.38
985 GP 10	10	6.16	5.00
985 GP 11	11	6.78	5.63
985 GP 12	12	7.41	6.25

See page 35 for DIN Rail Adapter

mm = dim X 25.4



For electronic drawings or 2D/3D CAD data, submit request at www.marathonsp.com/drawings.html

Heavy Duty Terminal Blocks

1500 Series

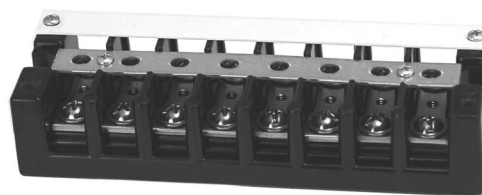
600 Volts AC/DC (UL/CSA)

Specifications:

- Base, General Purpose Phenolic, 150°C (UL RTI)
- Connector, Brass, Nickel Plated
- Phil-Slot Screws standard (slotted screws also available), Brass, Nickel Plated, 10-32
- Current rated up to 30 Amps with unprepared wire, #10-22 AWG Copper
- Current rated up to 75 Amps when wired with crimp type ring, spade or fork terminal
- 5/8" (.625") Line To Line Spacing
- UL Recognized File No. XCFR2.E62806
- CSA Certified File No. LR19766
- **CE** - 1000 Volts
- RoHS Compliant



1508 STD

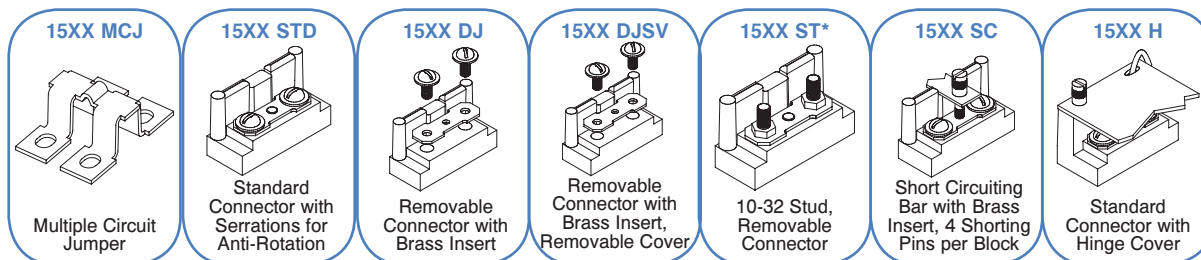


1508 SC

# of Poles	Catalog #							Dimensions		Clear Cover	White Cover
								A	B		
2	1502 MCJ	1502 STD	1502 DJ	1502 DJSV	1502 ST	1502 SC	1502 H	2.00	1.62	CC 1502	CW 1502
4	1504 MCJ	1504 STD	1504 DJ	1504 DJSV	1504 ST	1504 SC	1504 H	3.25	2.88	CC 1504	CW 1504
6	1506 MCJ	1506 STD	1506 DJ	1506 DJSV	1506 ST	1506 SC	1506 H	4.50	4.12	CC 1506	CW 1506
8	1508 MCJ	1508 STD	1508 DJ	1508 DJSV	1508 ST	1508 SC	1508 H	5.75	5.38	CC 1508	CW 1508
12	1512 MCJ	1512 STD	1512 DJ	1512 DJSV	1512 ST	1512 SC	1512 H	8.25	7.88	CC 1510	CW 1510

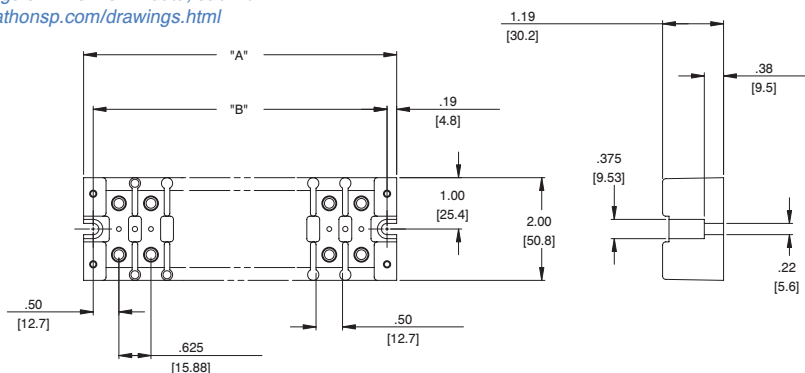
See page 35 for DIN Rail Adapter

mm = dim X 25.4



For electronic drawings or 2D/3D CAD data, submit request at www.marathonsp.com/drawings.html

* STRC: 10-32 Stud with Riveted Connector



Heavy Duty Terminal Blocks

1600 Series

600 Volts AC/DC (UL/CSA)

Specifications:

- Base, General Purpose Phenolic, 150°C (UL RTI)
- Connector, Brass, Nickel Plated
- Phil-Slot Screws standard (slotted screws also available), Brass, Nickel Plated, 10-32
- Current rated up to 30 Amps with unprepared wire, #10-22 AWG Copper
- Current rated up to 75 Amps when wired with crimp type ring, spade or fork terminal
- 21/32" (.65625") Line To Line Spacing
- UL Recognized File No. XCFR2.E62806
- CSA Certified File No. LR19766
- CE - 1000 Volts
- RoHS Compliant



1604 H



1606 STD

Heavy Duty Terminal Blocks

# of Poles	Catalog #								Dimensions		Clear Cover	White Cover
									A	B		
2	1602 MCJ	1602 STD	1602 DJ	1602 DJSV	1602 ST	1602 SC	1602 H	2.44	1.78	CC 1602	CW 1602	
4	1604 MCJ	1604 STD	1604 DJ	1604 DJSV	1604 ST	1604 SC	1604 H	3.75	3.09	CC 1604	CW 1604	
6	1606 MCJ	1606 STD	1606 DJ	1606 DJSV	1606 ST	1606 SC	1606 H	5.06	4.41	CC 1606	CW 1606	
8	1608 MCJ	1608 STD	1608 DJ	1608 DJSV	1608 ST	1608 SC	1608 H	6.38	5.72	CC 1608	CW 1608	
12	1612 MCJ	1612 STD	1612 DJ	1612 DJSV	1612 ST	1612 SC	1612 H	9.00	8.34	CC 1610	CW 1610	

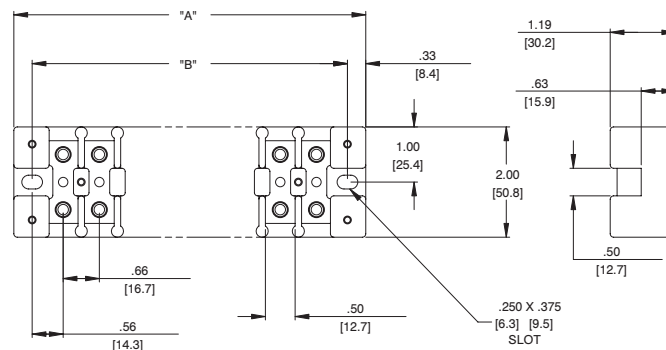
See page 35 for DIN Rail Adapter

mm = dim X 25.4

<p>16XX MCJ Multiple Circuit Jumper</p>	<p>16XX STD Standard Connector with Serrations for Anti-Rotation</p>	<p>16XX DJ Removable Connector with Brass Insert</p>	<p>16XX DJSV Removable Connector with Brass Insert, Removable Cover</p>	<p>16XX ST* 10-32 Stud, Removable Connector</p>	<p>16XX SC Short Circuiting Bar with Brass Insert, 4 Shorting Pins per Block</p>	<p>16XX H Standard Connector with Hinge Cover</p>
--	---	---	--	--	---	--

For electronic drawings or 2D/3D CAD data, submit request at www.marathonsp.com/drawings.html

* STRC: 10-32 Stud with Riveted Connector



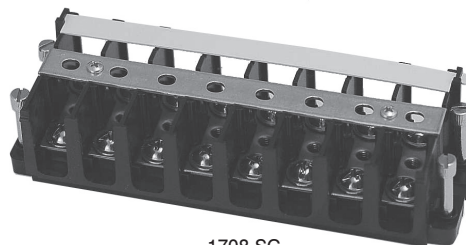
Heavy Duty Terminal Blocks

1700 Series

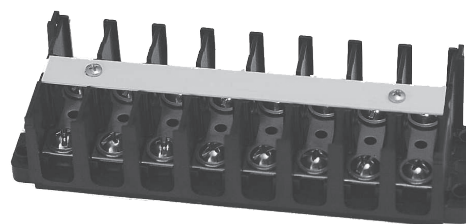
600 Volts AC/DC (UL/CSA)

Specifications:

- Base, Thermoplastic, 125°C (UL RTI)
- Serrated Connectors, Brass, Nickel Plated
- Screws, Brass, Nickel Plated, 10-32
- Current rated up to 30 Amps with unprepared wire, #10-22 AWG Copper
- Current rated up to 75 Amps when wired with crimp type ring, spade or fork lugs
- 5/8" (.625") Line To Line Spacing
- UL Recognized File No. XCFR2.E62806
- CSA Certified File No. LR19766
- CC - 1000 Volts
- RoHS Compliant



1708 SC



1708 STD

# of Poles	Standard Terminal	Short Circuit Terminal	Dimensions		Clear Cover
			A	B	
2	1702 STD	1702 SC	2.00	1.64	CC 1702
3	1703 STD	1703 SC	2.63	2.26	CC 1703
4	1704 STD	1704 SC	3.25	2.89	CC 1704
5	1705 STD	1705 SC	3.88	3.51	CC 1705
6	1706 STD	1706 SC	4.50	4.14	CC 1706
7	1707 STD	1707 SC	5.13	4.76	CC 1707
8	1708 STD	1708 SC	5.75	5.39	CC 1708
9	1709 STD	1709 SC	6.38	6.01	CC 1709
10	1710 STD	1710 SC	7.00	6.64	CC 1710
11	1711 STD	1711 SC	7.63	7.26	CC 1711
12	1712 STD	1712 SC	8.25	7.89	CC 1712



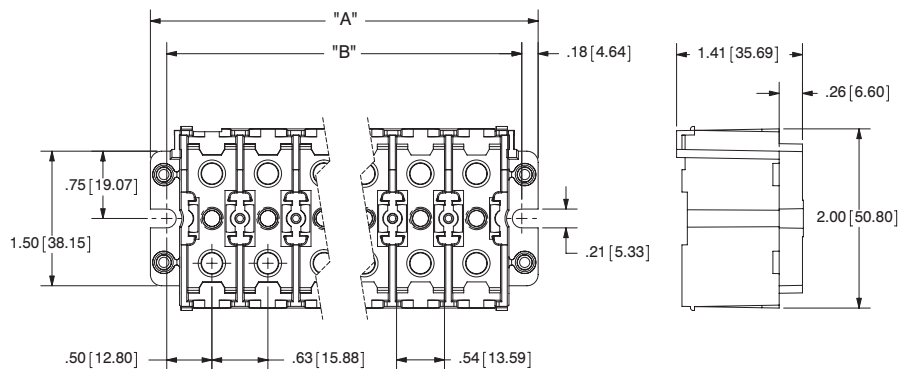
1700 series optional clear cover

STD = Standard Terminal - Connector Plate, 2 Phil-Slot Screws, Center M/S

mm = dim X 25.4

SC = Short Circuit Terminal (Pin to be torqued to 5 in-lbs)

CC = Clear PVC snap on cover, sized to fit and protect



For electronic drawings or 2D/3D CAD data, submit request at www.marathonsp.com/drawings.html