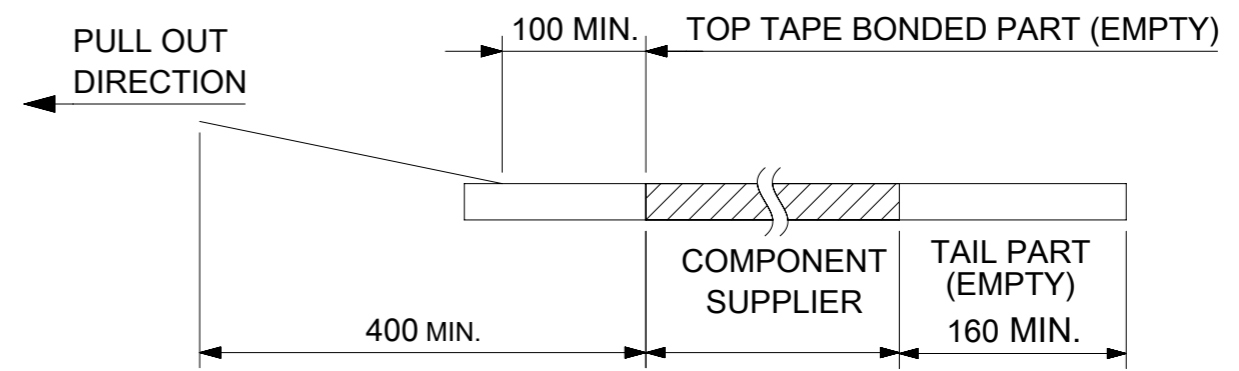


DETAIL "D"

NOTES

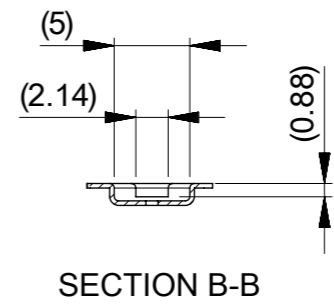
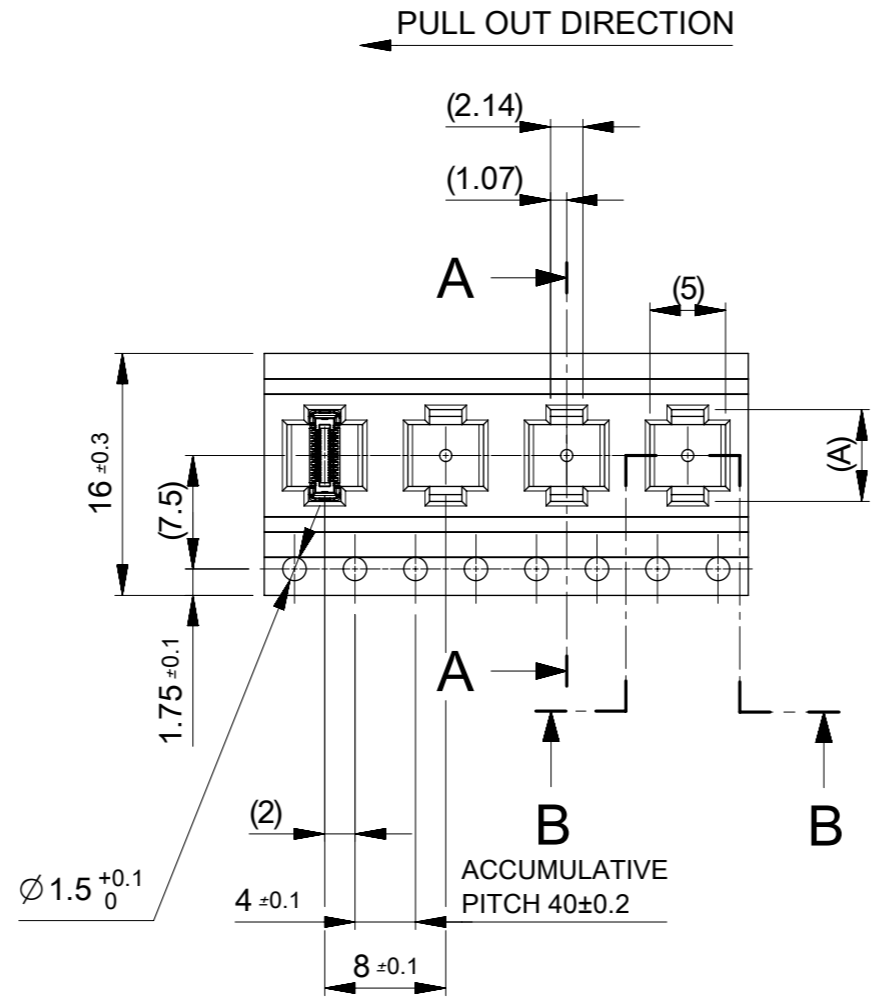
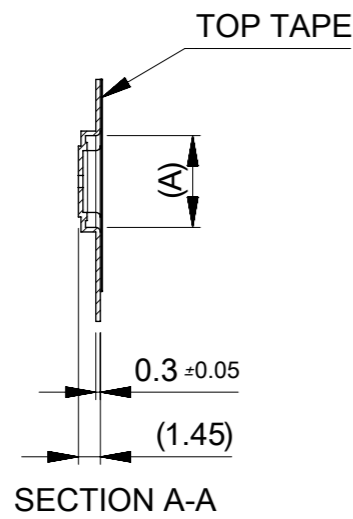
1. FOR DIMENSION OF PRODUCT, REFER TO PRODUCT DRAWING.
2. NUMBER OF CONNECTORS : 7000PCS/REEL
3. LEAD TAPE LENGTH



4. TOP TAPE PEEL FORCE IS DEFINED BY IEC60286-3.
5. MATERIAL
 CARRIER TAPE : POLYSTYRENE
 TOP TAPE : PET , OTHER
 REEL : POLYSTYRENE (PS) < RECYCLE MATERIAL CONTAINED >

CONNECTOR SERIES NO. 505270**09

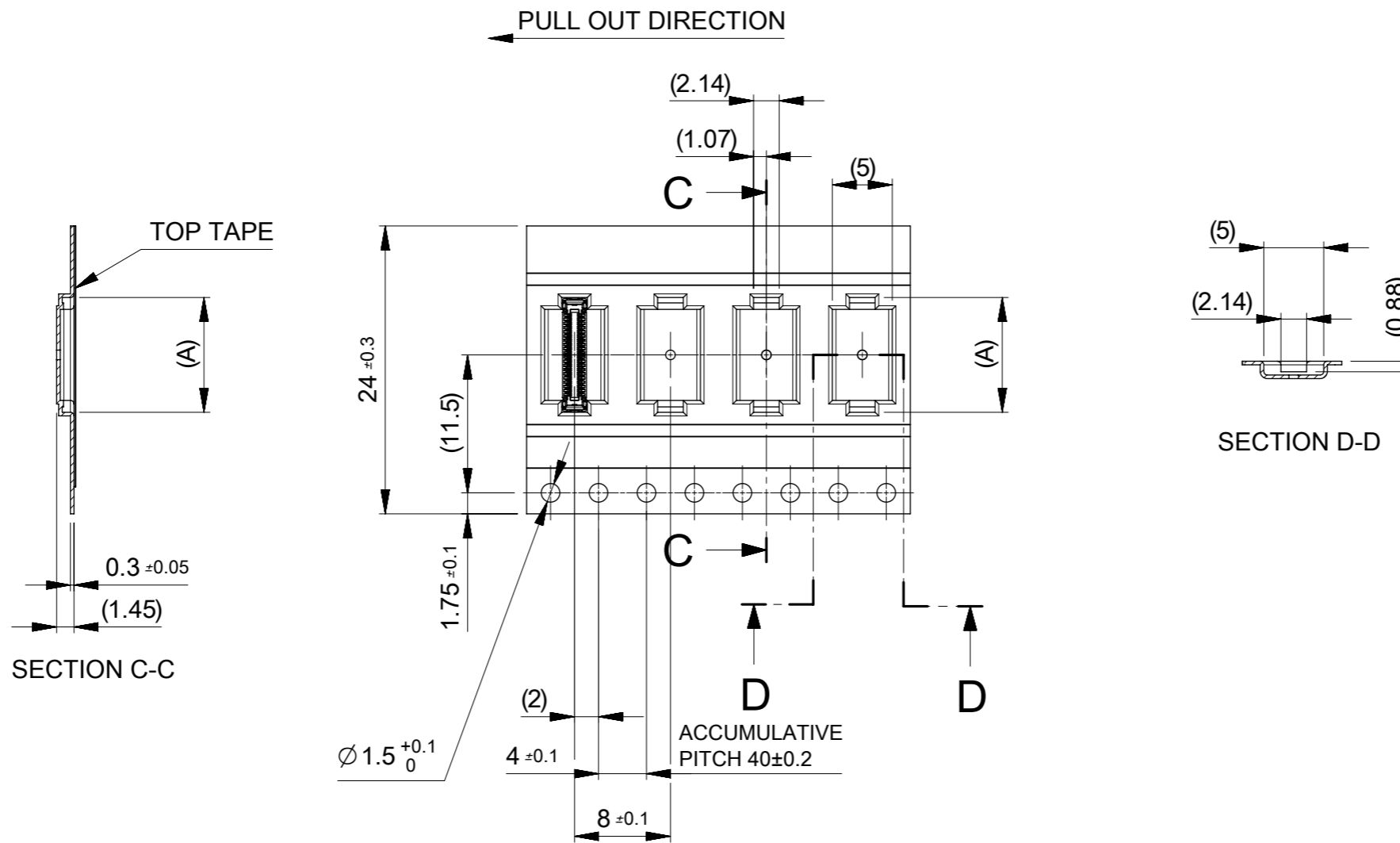
THIS DRAWING CONTAINS INFORMATION THAT IS PROPRIETARY TO MOLEX ELECTRONIC TECHNOLOGIES, LLC AND SHOULD NOT BE USED WITHOUT WRITTEN PERMISSION										
RELEASED	EC NO: 123537	2017/10/18	GENERAL TOLERANCES (UNLESS SPECIFIED)		DIMENSION UNITS	SCALE	molex [®]			
	DRWN: FSATO	2017/11/01	ANGULAR TOL ± 3.0 °		mm	NTS				
	CHK'D: MSASAO	2017/11/02	4 PLACES	± 0.03	DRWN BY	DATE	0.35 BB H=0.8 SSB8RP REC EMBSTP PKG			
	APPR: MSASAO		3 PLACES	± 0.03	FSATO	2017/10/18				
			2 PLACES	± 0.05	CHK'D BY	DATE	PRODUCT CUSTOMER DRAWING			
		1 PLACE	± 0.1	MSASAO	2017/11/01					
		0 PLACES	± 0.2	APPR BY	DATE	SERIES MATERIAL NUMBER CUSTOMER				
				MSASAO	2017/11/02				505270 SEE CHART GENERAL	
				DRAFT WHERE APPLICABLE MUST REMAIN WITHIN DIMENSIONS		DRAWING SIZE	THIRD ANGLE PROJECTION	DOCUMENT NUMBER DOC TYPE DOC PART SHEET NUMBER		
A					A3			5052700001-SD PSD 000 1 OF 3		



16	21.4	17.4	7.82	5052703012	○	---	30
			6.77	5052702412	○	---	24
			6.42	5052702212	○	---	22
			6.07	5052702012	○	---	20
			5.37	5052701612	○	---	16
			4.32	5052701012	○	---	10
			3.62	5052700612	○	---	6
キャリアテープ幅 CARRIER TAPE WIDTH	C	B	(A)	EMBOSSED TAPE PACKAGE	HIGH VOL. TOOL	LOW VOL. TOOL	CIRCUIT
ORDER NO.	SAMPLE PREPARATION ○:TOOLED △:WOOK IN PROCESS ---:TOOLING TO BE CONFIRMED						

THIS DRAWING CONTAINS INFORMATION THAT IS PROPRIETARY TO MOLEX ELECTRONIC TECHNOLOGIES, LLC AND SHOULD NOT BE USED WITHOUT WRITTEN PERMISSION

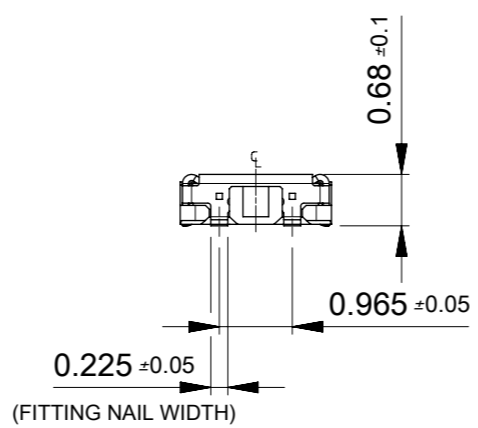
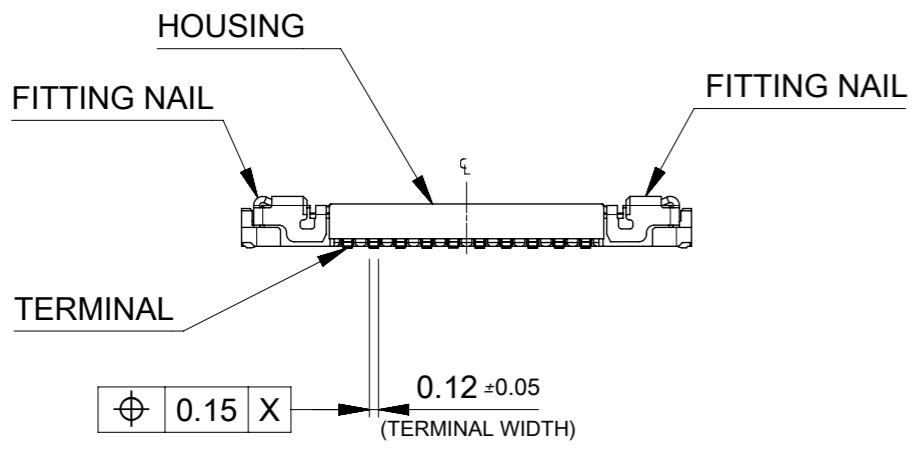
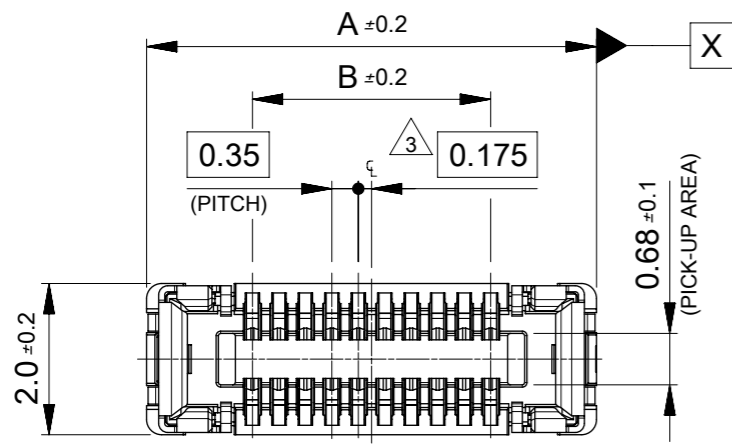
EC NO: 123537 DRWN: FSATO CHK'D: MSASAO APPR: MSASAO	RELEASED	2017/10/18	2017/11/01	2017/11/02	GENERAL TOLERANCES (UNLESS SPECIFIED) ANGULAR TOL ± 3.0 ° 4 PLACES ± 0.03 3 PLACES ± 0.03 2 PLACES ± 0.05 1 PLACE ± 0.1 0 PLACES ± 0.2 DRAFT WHERE APPLICABLE MUST REMAIN WITHIN DIMENSIONS	DIMENSION UNITS	SCALE			
						mm	NTS			
						DRWN BY	DATE		FSATO	2017/10/18
						CHK'D BY	DATE		MSASAO	2017/11/01
						APPR BY	DATE		MSASAO	2017/11/02
						DRAWING SIZE	THIRD ANGLE PROJECTION	PRODUCT CUSTOMER DRAWING SERIES: 505270 MATERIAL NUMBER: SEE CHART CUSTOMER: GENERAL		
						A3				
								DOCUMENT NUMBER: 5052700001-SD DOC TYPE: PSD DOC PART: 000 SHEET NUMBER: 2 OF 3		



24	29.4	25.4	12.02	5052705412	○	---	54
			9.57	5052704012	○	---	40
			8.52	5052703412	○	---	34
キャリアテープ幅 CARRIER TAPE WIDTH	C	B	(A)	EMBOSSED TAPE PACKAGE	HIGH VOL. TOOL	LOW VOL. TOOL	CIRCUIT
ORDER NO.	SAMPLE PREPARATION ○:TOOLED △:WORK IN PROCESS ---:TOOLING TO BE CONFIRMED						

THIS DRAWING CONTAINS INFORMATION THAT IS PROPRIETARY TO MOLEX ELECTRONIC TECHNOLOGIES, LLC AND SHOULD NOT BE USED WITHOUT WRITTEN PERMISSION

EC NO: 123537 DRWN: FSATO CHK'D: MSASAO APPR: MSASAO	2017/10/18 2017/11/01 2017/11/02	GENERAL TOLERANCES (UNLESS SPECIFIED) ANGULAR TOL ± 3.0 ° 4 PLACES ± 0.03 3 PLACES ± 0.03 2 PLACES ± 0.05 1 PLACE ± 0.1 0 PLACES ± 0.2	DIMENSION UNITS mm	SCALE NTS				
	DRWN BY FSATO	DATE 2017/10/18	DRIFT WHERE APPLICABLE MUST REMAIN WITHIN DIMENSIONS	DRAWING SIZE A3		THIRD ANGLE PROJECTION		
	CHK'D BY MSASAO	DATE 2017/11/01	PRODUCT CUSTOMER DRAWING	SERIES 505270		MATERIAL NUMBER SEE CHART	CUSTOMER GENERAL	
	APPR BY MSASAO	DATE 2017/11/02	DRAFT WHERE APPLICABLE MUST REMAIN WITHIN DIMENSIONS	DOCUMENT NUMBER 5052700001-SD		DOC TYPE PSD	DOC PART 000	SHEET NUMBER 3 OF 3
	RELEASED A	REV A	DRAFT WHERE APPLICABLE MUST REMAIN WITHIN DIMENSIONS	DIMENSION UNITS mm		SCALE NTS	PRODUCT CUSTOMER DRAWING	



NOTES

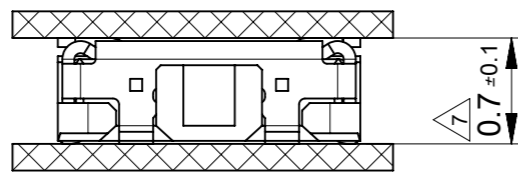
1. MATERIAL
 HOUSING : LIQUID CRYSTAL POLYMER UL94V-0(COLOR : BLACK)
 TERMINAL : COPPER ALLOY
 FITTING NAIL : COPPER ALLOY
2. PLATING
 TERMINAL :
 GOLD
 UNDER PLATING : NICKEL
 *DIVIDE INTO PARTS THE GOLD PLATING OF THE CONTACT AND THE TAIL PART BY THE NICKEL PLATING.
 FITTING NAIL :
 GOLD(ONLY CONTACT AND TAIL PART)
 UNDER PLATING : NICKEL
- △₃ APPLY FOR (CIRCUIT/2)=EVEN
4. MATE WITH : 505070**22/**42 (H=0.7) , 505274**12/**42 (H=0.8)
5. TAIL AND FITTING NAIL COPLANARITY TO BE 0.08MAXIMUM.
- △₆ PROHIBITED AREA OF PATTERN WIRING AND SOLDER.
 (FOR EACH AREA, THE WIRING THAT TOUCHES ON THE SOLDER CAN BE ATTACHED, THEN COVERED WITH A FILM TO KEEP SOLDER OUT.)
- △₇ THIS DIMENSION SHOWS THE DIMENSION BETWEEN SOLDERING SURFACE OF SOLDER TAILS.

9.1	11.9	5052705412	○	---	54
6.65	9.45	5052704012	○	---	40
5.6	8.4	5052703412	○	---	34
4.9	7.7	5052703012	○	---	30
3.85	6.65	5052702412	○	---	24
3.5	6.3	5052702212	○	---	22
3.15	5.95	5052702012	○	---	20
2.45	5.25	5052701612	○	---	16
1.4	4.2	5052701012	○	---	10
0.7	3.5	5052700612	○	---	6

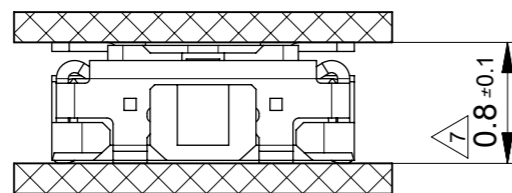
B	A	EMBOSSED TAPE PACKAGE	MASS PRODUCTION	LOW VOL.TOOL	CIRCUIT
		ORDER No.	SMAPLE PREPARATION ○:TOOLED △:WORK IN PROCESS ---:TOOLING TO BE CONFIRMED		
CONNECTOR SERIES No. : 505270**09					

THIS DRAWING CONTAINS INFORMATION THAT IS PROPRIETARY TO MOLEX ELECTRONIC TECHNOLOGIES, LLC AND SHOULD NOT BE USED WITHOUT WRITTEN PERMISSION

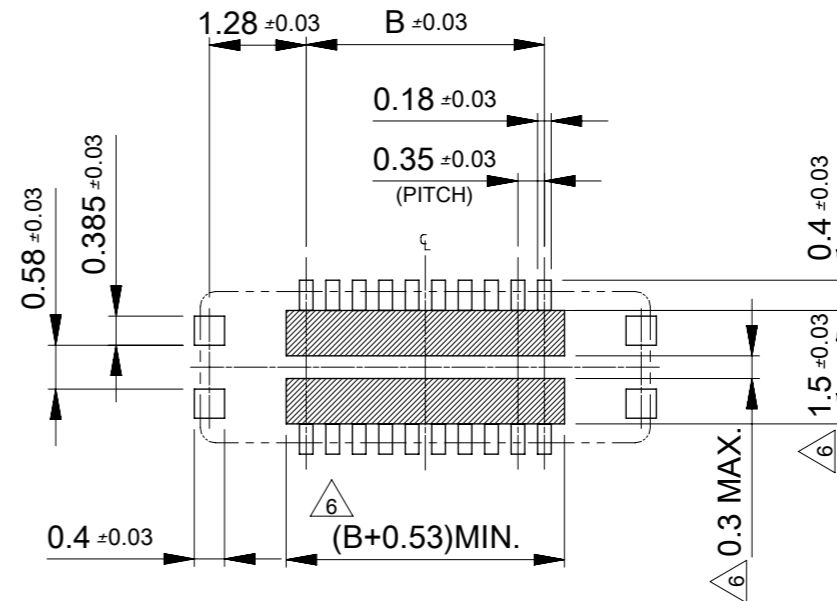
DIMENSION UNITS	SCALE	CURRENT REV DESC: RELEASED			
mm	10:1	molex			
GENERAL TOLERANCES (UNLESS SPECIFIED)					
ANGULAR TOL	± 3.0 °	0.35 BB CONN. H=0.8 SSB8RP REC. ASSY			
4 PLACES	± 0.03	PRODUCT CUSTOMER DRAWING			
3 PLACES	± 0.03	DOCUMENT NUMBER			
2 PLACES	± 0.05	5052701001-SD		DOC TYPE	DOC PART
1 PLACE	± 0.1	2017/10/18		PSD	000
0 PLACES	± 0.2	2017/11/02		REVISION	
DRAFT WHERE APPLICABLE MUST REMAIN WITHIN DIMENSIONS		THIRD ANGLE PROJECTION	DRAWING	SERIES	SHEET NUMBER
			A3-SIZE	505270	1 OF 2



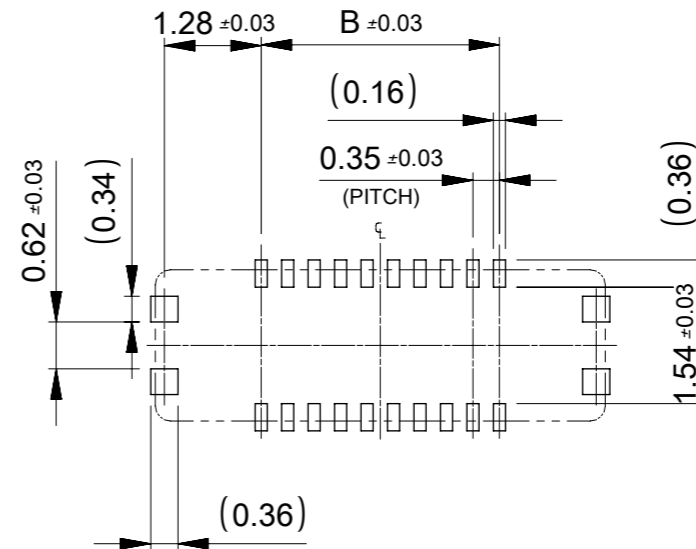
MATED CONDITION (505270/505070)



MATED CONDITION (505270/505274)



RECOMMENDED P.W.BOARD PATTERN LAYOUT (REFERENCE)



RECOMMENDED METAL MASK LAYOUT (REFERENCE)

RECOMMENDED THICKNESS OF METAL MASK : t=0.08mm

RECOMMENDED OPEN APERTURE RATIO OF METAL MASK : 80%

THIS DRAWING CONTAINS INFORMATION THAT IS PROPRIETARY TO MOLEX ELECTRONIC TECHNOLOGIES, LLC AND SHOULD NOT BE USED WITHOUT WRITTEN PERMISSION		CURRENT REV DESC: RELEASED		molex	
DIMENSION UNITS	SCALE				
mm	10:1			0.35 BB CONN. H=0.8 SSB8RP REC. ASSY	
GENERAL TOLERANCES (UNLESS SPECIFIED)				PRODUCT CUSTOMER DRAWING	
ANGULAR TOL	± 3.0 °			DOCUMENT NUMBER	
4 PLACES	± 0.03	EC NO: 646121		5052701001-SD	
3 PLACES	± 0.03	DRWN: YSEKI01		DOC TYPE	
2 PLACES	± 0.05	CHK'D: STERUKI		PSD	
1 PLACE	± 0.1	APPR: YNAITO		DOC PART	
0 PLACES	± 0.2	INITIAL REVISION:		000	
		DRWN: FSATO		REVISION	
		APPR: MSASAO		B	
DRAFT WHERE APPLICABLE MUST REMAIN WITHIN DIMENSIONS		THIRD ANGLE PROJECTION	DRAWING	SERIES	MATERIAL NUMBER
			A3-SIZE	505270	SEE SHEET 1
				CUSTOMER	SHEET NUMBER
				GENERAL	2 OF 2