

Low Profile or Prominent with Flush Mounting, AC Voltage

## [Key Characteristics

### Functional

- 10mm mounting
- 80° or 100° viewing angle

### Resilient

- IP66 sealed
- -40 to 85°C operating and storage temp
- Aluminium black nickel body

### Adaptable

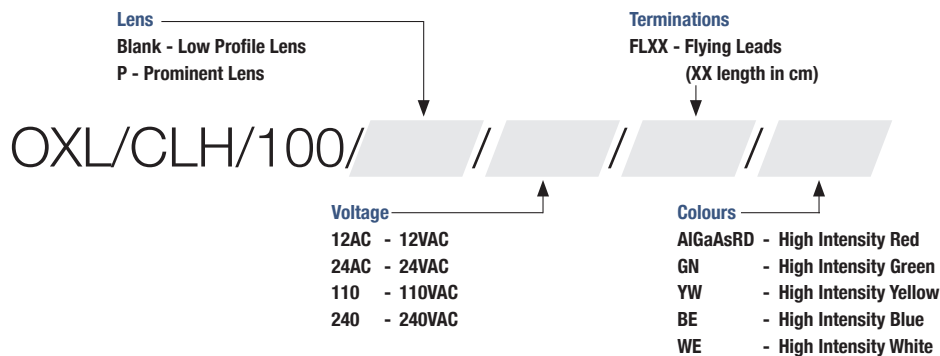
- Full colour range with lens options
- Voltage and current options
- Customer specials on request



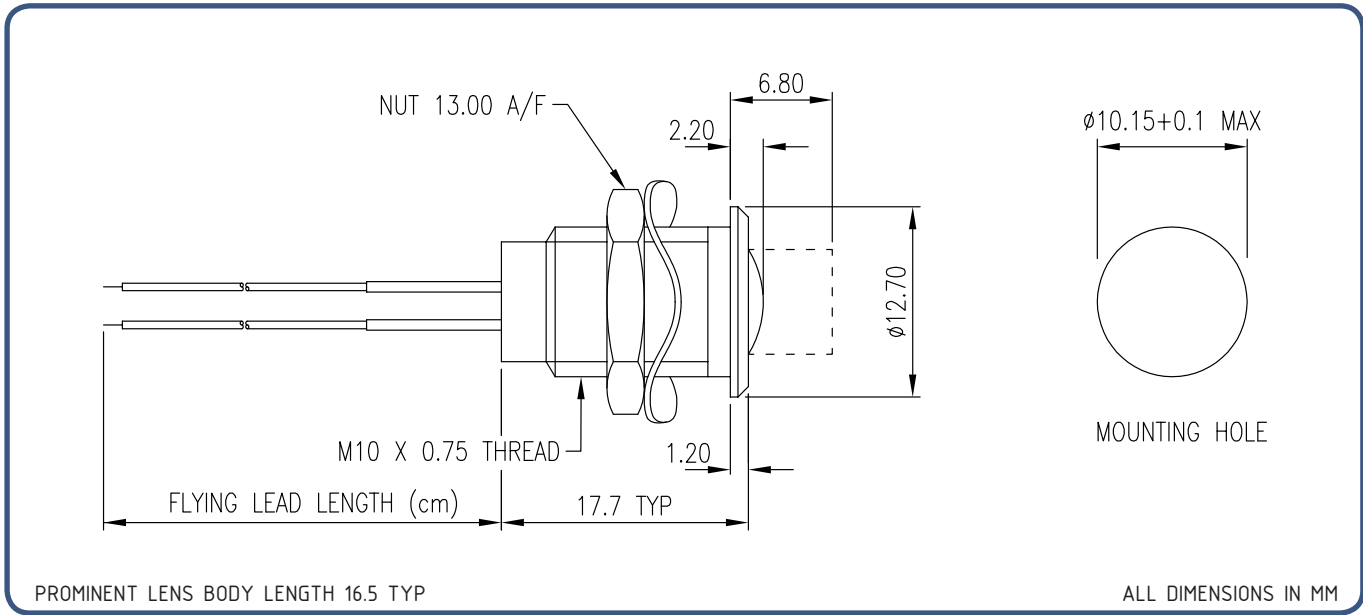
## [Specifications

COLOURS									
Luminous Intensity	mcd	White	Red	Yellow	Green	Blue	Voltage		Current (mA)
							Forward	Reverse	
High Intensity	375	✓	x	✓	x	x	12,24	12,24	15
	450	x	✓	x	x	✓	12,24	12,24	15
	470	x	x	x	✓	x	12,24	12,24	15

## [Ordering Information



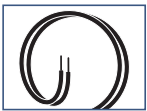
Example: OXL/CLH/100/12AC/FL30/AIGaAsRD - Low Profile Lens, 12VAC, Flying Leads 30cm, High Intensity Red  
 Example: OXL/CLH/100/P/110/FL30/YW - Prominent Lens, 110VAC, Flying Leads 30cm, High Intensity Yellow



## Technical Information

Terminations	Flying Leads
Body	Aluminium Alloy Matt Black Nickel
Lens	Polycarbonate
Nut	Aluminium Alloy
Washer	BeCu. Tin Plated
Chassis Thickness	1.5mm (0.059") min
Mounting Hole	10.15mm $\pm$ 0.1
Recommended Mounting Torque	1Nm (0.74lbft)
Mean Time Before Failure	90,000 Hours

## Termination Options



Flying Leads

## Lens Options



Low Profile



Prominent

Distributed by

